

RL78 Family

Real-Time-Clock Watch Error Correction function

Introduction

Many RL78 MCUs have a Real-Time-Clock (RTC) timer peripheral with external 32768HZ oscillator using a crystal or ceramic resonator, but that resonator will not always generate a precise 32768HZ time base. The RL78 RTC Watch error correction function can be used to correct the RTC count value, so the resulting “Time-of-day” results will be more accurate over a long term period compared to when not using Watch error correction function.

Target Device

RL78 MCUs having Real-Time-Clock (RTC) timer block, not RTC2. The RTC2 timer has somewhat different Watch error correction settings not covered by this application note’s software project.

Contents

1. Introduction	2
1.1 Commercially available 32768HZ ceramic resonator error at room temperature	2
1.2 Factory calibration step	2
1.3 RTC 32768HZ resonator frequency error due to ambient temperature	3
2. Software Project Environment.....	4
3. How the RL78 RTC Watch correction works	5
3.1 The RTC Internal counter	5
3.2 With Watch Correction function turned on.....	5
3.3 Setting of watch error correction value	5
4. RTC2 (High accuracy) Watch Error Correction function.....	6
5. Watch Error Correction Application Note sample code operation.....	7
6. Using RTC1HZ and PCLBUZ0 = f_{SUB} outputs to confirm RTC Watch error correction function.....	8
6.1 Factory calibration step.....	8
6.2 Observing RTC Watch error correction in operation	8
7. Limitations in using RTC Watch correction Application note software project.....	9
8. RTC Watch error correction example software demo and HW platform.....	10
8.1 HW Platform used	10
8.2 Operation	11

1. Introduction

Many applications using Real Time Clock (RTC) function have elapsed time accuracy requirements. If we use the example of 1 year of count operation, a Real Time Clock time-of-day value (seconds, minutes, hours) may show significant discrepancy relative to actual elapsed time, due to (1) the resonator time-base not having a precise 32768HZ output at Room temperature and (2) a frequency drift error varying over environmental ambient temperature range.

RTC Watch error correction function can be used effectively to counteract both the fixed and temperature (variable) frequency errors. The f_{SUB} oscillator frequency itself is not modified, but the resulting elapsed time will be corrected, by automatically adding or subtracting RTC counts.

In this app note we will refer to the 32768HZ Subclock oscillator as the f_{SUB} oscillator.

1.1 Commercially available 32768HZ ceramic resonator error at room temperature

Resonator vendors rate the 32768HZ resonator manufacturing tolerance in Parts-Per-Million (PPM) offset at room temperature, 25degrees Centigrade. For a 365 day-long year, there are 8760 hours, or 525,600 minutes of elapsed time. For example, a +/-1 PPM resonator clock error in counting 1 year elapsed time results in +/- 0.53 minutes (~32seconds) uncertainty which may be OK in most applications, although achieving +/-1ppm accuracy over temperature is impractical. However, +/-100 PPM error could result in about +/-53 minutes uncertainty after 1 year, which may be unacceptable, for example, if the Time-of-day is being used to keep a personal appointment.

Possible Resonator Frequency error range (+/-)	Resulting RTC Elapsed Time Error (+/- Minutes/year)
1 ppm	0.53
5 ppm	2.63
10 ppm	5.26
50 ppm	26.28
100 ppm	52.56
200 ppm	105.12

Figure 1: Results of 32768HZ resonator accuracy on elapsed RTC value after one year (without Watch correction)

Resonator vendors charge more for resonators with a tighter specified, initial (delivered) tolerance. A resonator accuracy of +/-1 PPM or +/-5 PPM @25C temperature may be desired, but cost a lot more than one rated for +/-50 PPM or +/-100 PPM accuracy @25C temperature. However, a cheaper +/-50 PPM, or +/-100 PPM accuracy resonator can still benefit from Watch Error Correction function to possibly reach elapsed time accuracy goals close to +/-5 PPM or better achieved RTC counting accuracy.

The resonator “delivered” tolerance frequency error is relatively constant, except for some slight drift due to resonator aging, which is usually inconsequential compared to initial PPM error and PPM offset errors over temperature.

Tolerance is the variance in the specified or rated value as delivered from the manufacturer. Changes due to aging, temperature or other environmental variables are referred to as “drift”. Changes in value due to power supply or circuit parameters are described as “sensitivities”. Offset is used to describe an initial displacement from an ideal specified value, not typically associated with a temperature change. This application note addresses RTC error correction to PPM offset as delivered (due to tolerance) at 25C ambient temperature, and PPM errors due to frequency drift over temperature, but not due to sensitivities that change over time (like power supply voltage variations) nor aging.

1.2 Factory calibration step

Customer factory equipment must be used to measure the RL78 PCLBUZ0 = f_{SUB} output or RTC1HZ output pin to determine the actual resonator frequency at 25C, and calculate the initial PPM offset error. This PPM offset error value then needs to be stored in MCU non-volatile memory (code or data flash) for later retrieval.

Possible initial PPM offset error storage methods:

1.2.1 Storing the PPM offset error in Code/data flash WITHOUT using an RL78 self-programming library

After the initial RL78 MCU code image is programmed into the device, without programming Data flash, the MCU can be started up with PCLBUZ0 = f_{SUB} output enabled and measured by factory equipment. Once the f_{SUB} frequency is captured and PPM calculated, a 2nd RFP (Renesas Flash Programmer SW utility) flash programming operation can be used to store a 2-byte PPM offset value into RL78 Data flash, leaving the original code image intact. RL78 Data flash can be accessed by USER Software without implementing the Data Flash library.

Or else it might be possible on RL78 MCUs without Data flash, to re-image the Code flash with the PPM offset value appended to the Code image. The advantage to these methods is not having to implement the RL78 Code or Data flash self-programming libraries and not needing MCU serial port communications with factory measuring equipment. The disadvantage is having to add the initial PPM offset to the code or data flash image (via PC utility?) and performing a second external flash programmer procedure.

1.2.2 Storing the PPM offset error in Code or data flash by using an RL78 self-programming library and serial port communications

If an RL78 Serial port is used with factory test equipment to receive the calculated initial PPM offset value, RL78 Data flash programming library (FDL) can be used to write to Data flash for later retrieval. If an RL78 MCU with extra 1KB of code flash block is available, the PPM data could be stored in code flash instead. The advantage of self-programming is that a 2nd external flash programmer operation is not needed. The disadvantage is that the RL78 code and data flash programming libraries require library code space and some USER code space to implement them. The MCU also needs to have a serial port available to the external factory equipment.

1.3 RTC 32768HZ resonator frequency error due to ambient temperature

Resonators have a well-known characteristic curve of PPM offset error over temperature, and typically the equation is given by:

$$\text{PPM Offset} = 0.035 * (t_{\text{AMBIENT}} - 25)^2$$

(Where t_{AMBIENT} is in degrees Centigrade)

As can be seen in **Figure 2** below, there is a pronounced resonator frequency offset to slower frequencies (minus PPM values) at temperature extremes; with approximately -148 PPM frequency drift error at -40C and -126 PPM error at +85C temperature. Back to the 1 year elapsed time example, a constant -148 ppm error in f_{SUB} would result in an uncertainty of +/-77.8 minutes after one year. Therefore, compensating the f_{SUB} oscillator error due to environmental ambient temperature variations may be more critical than correcting the initial ceramic resonator manufacturing PPM error value, assuming the delivered tolerance at 25C is much tighter than +/- 148 PPM. The RTC Watch error correction function can correct for both errors, if total PPM error is within +/- 189 PPM range from 32768HZ.

Note that this graph shows PPM variation with the ideal 32768HZ frequency as the reference point. Therefore, the PPM error is shown as a minus error from a 25C temperature reference. In the RL78 RTC watch error correction function documentation, the actual f_{SUB} frequency is the reference point. Thus, if actual f_{SUB} frequency is >32768HZ, and needs compensation to achieve effective 32768HZ time base, the drift is considered as minus PPM to be corrected. On the other hand, if actual f_{SUB} frequency is <32768HZ, and needs compensation to achieve effective 32768HZ time base, the drift is considered as positive PPM to be corrected. The application note example software project accounts for these opposite reference points.

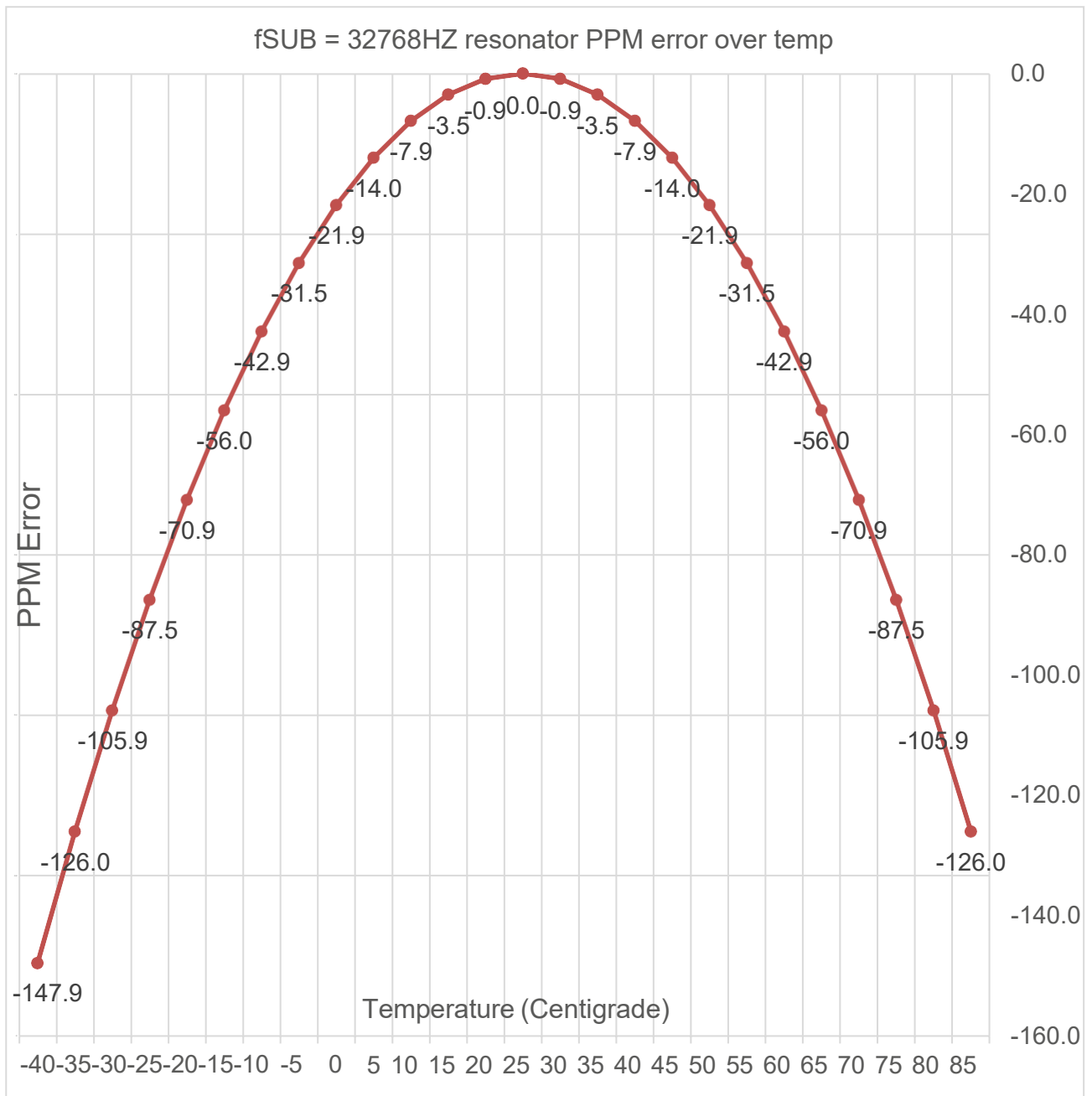


Figure 2: Typical frequency variation (in PPM) with Ambient temperature (-40C to +85C)

2. Software Project Environment

The accompanying Software project for this app note uses IAR IDE with IAR C/C++ Compiler for Renesas RL78 and e2studio IDE with IAR ICCRL78 compiler v2.21 plug-in, which uses the ILINK-style linker file. The code size is less than 16KB, so either IAR EWRL78 KS16 (free evaluation version, 16KB code size limit) compiler or full license compiler version can be used.

Item	Description
Microcontroller used	RL78/G14(R5F104PJ)
Operating frequency	<ul style="list-style-type: none">● High-speed on-chip oscillator (HOCO) clock: 32 MHz● CPU/peripheral hardware clock: 32 MHz
Operating voltage	5.0 V (can run on a voltage range of 2.9 V to 5.5 V.) LVD operation (VLVD): Reset mode 2.81 V (2.76 V to 2.87 V)
Integrated development environment (IAR)	IAR Systems IAR Embedded Workbench for Renesas RL78 V4.21.3
C compiler (IAR)	IAR Systems IAR C/C++ Compiler for Renesas RL78 V4.21.3.2447

3. How the RL78 RTC Watch correction works

3.1 The RTC Internal counter

The RTC Internal counter (**Figure 3**) has a 16bit register that counts f_{RTC} (from f_{SUB} , nominally 32768HZ) for 32768 clock periods when there is no Watch error correction. With no Watch correction, this internal counter will start at hex value 0000H and count up to a terminal value of 7FFFH, then reset back to 0000H on the 32768th count. The Internal counter output then increments the Second Count register (If Register RTCC0 bit RTCE = 1 and Register RTCC1 bit RWAIT = 0) every 32768 counts at the 0000H rollover value. That means that a “Second” count duration will have the same PPM magnitude error as $f_{RTC} = f_{SUB}$, from the ceramic resonator when no Watch correction is applied. However, an $f_{SUB} = 32768\text{HZ} - 100\text{ PPM}$ frequency error will result in a 1second +100 PPM period duration, when terminal count = 32768 clock periods are counted (no Watch correction).

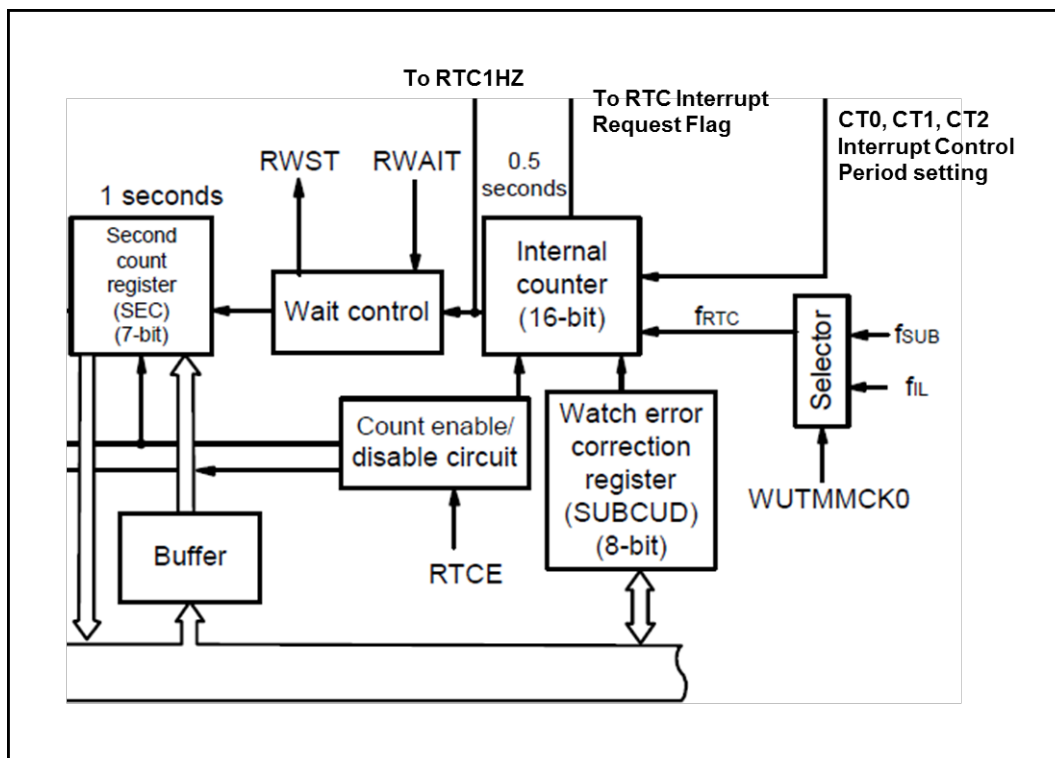


Figure 3 (from RL78/G14 Hardware User's manual, RTC chapter):

3.2 With Watch Correction function turned on

When the Watch error correction is enabled, the number of Internal 16bit counter f_{RTC} clocks counted is either added to or subtracted from 32768 (0 PPM error full count) by changing the terminal count in the Internal timer compare register to increase or decrease a “1 second” period. To increase the Internal counter period, counts are added to the perfect 32768 terminal count value. For example, using terminal count of 800FH would delay the rollover count (800FH >> 0000H) by 16 f_{RTC} clocks later. Increasing the Internal timer count is done to correct the condition when $f_{RTC} = f_{SUB} > 32768\text{HZ}$.

To decrease the Internal 16bit counter period, counts are subtracted from the ideal 32768 terminal count value. For example, using 7FF0H would advance the rollover count (7FF0H >> 0000H) by 16 f_{RTC} counts for a shorter time. Decreasing the Internal timer count is done to correct the condition when $f_{RTC} = f_{SUB} < 32768\text{HZ}$.

These Watch correction counts are increased or decreased for only one “second” period out of every 20 seconds or 60seconds, depending on the DEV bit setting in SUBCUD Watch error correction register.

3.3 Setting of watch error correction value

For f_{RTC} resonator frequencies $> 32768\text{Hz}$, a minus PPM error is indicated and the Internal counter terminal count needs to be INCREASED (SUBCUD bit F6 = 0 setting) to correct back to elapsed time closer to 0 PPM error. For f_{RTC} resonator frequencies $< 32768\text{Hz}$, a positive PPM error is indicated and the PPM correction needs to be DECREASED (SUBCUD bit F6 = 1 setting) to correct back to elapsed time closer to 0 PPM error.

Examples:

- (1) When $f_{RTC} = f_{SUB} = 32774.2\text{Hz} - 189.2\text{ PPM} = 32768\text{Hz}$ (minus PPM error indicated), the optimum Watch error correction is Internal counter set for DEV = 0, F6 = 0, and $32768 + 124 = 32892$ counts to increase one “1second” period out of 20 second. A +189 PPM value is corrected by INCREASED count setting, making the resulting elapsed time closer to 0 PPM error by SUBCUD register setting = $0b00111111 = 0x3F$.
- (2) When $f_{RTC} = f_{SUB} = 32761.8\text{Hz} + 189.2\text{ PPM} = 32768$ (positive PPM error indicated), the optimum Watch error correction is Internal counter set for DEV = 0, F6 = 1, and $32768 + 124 = 32646$ counts to lengthen one “1second” period out of 20 seconds. A positive PPM value is DECREASED closer to 0 PPM error by SUBCUD register setting = $0b0100010 = 0x42$.

SUBCUD register setting			RTC Watch Correction Action on Internal counter	If f_{SUB} value is:	PPM Correction Range
bit 7	bit 6	bits 5-0			
DEV	F6	F5, F4, F3, F2, F1, F0			
0	0	62 possible values	RTC Count DECREASE setting: Full count of 32768 decreased by 2, 4, 6, ... 122, 124 counts once every 20 seconds	$<$ 32768Hz	+3.05 PPM to +189.2 PPM
0	1	62 possible values	RTC Count INCREASE setting: Full count of 32768 increased by 2, 4, 6, ... 122, 124 counts once every 20seconds	$>$ 32768Hz	- 3.05 PPM to - 189.2 PPM
x	x	00000x	No correction if b5-b1 = all zeroes	= 32768Hz	None
1	0	62 possible values	RTC Count DECREASE setting: Full count of 32768 decreased by 2, 4, 6, ... 122, 124 counts once every 60seconds	$<$ 32768Hz	+ 1.02 PPM to + 63.1 PPM
1	1	62 possible values	RTC Count INCREASE setting: Full count of 32768 increased by 2, 4, 6, ... 122, 124 counts once every 60 seconds	$>$ 32768Hz	- 1.02 PPM to - 63.1 PPM

Figure 4: RTC Watch error correction register SUBCUD settings

4. RTC2 (High accuracy) Watch Error Correction function

The Real-Time-Clock RTC2 has a high accuracy Watch Error Correction function which operates similarly to the original RTC Watch Error Correction function, with these differences:

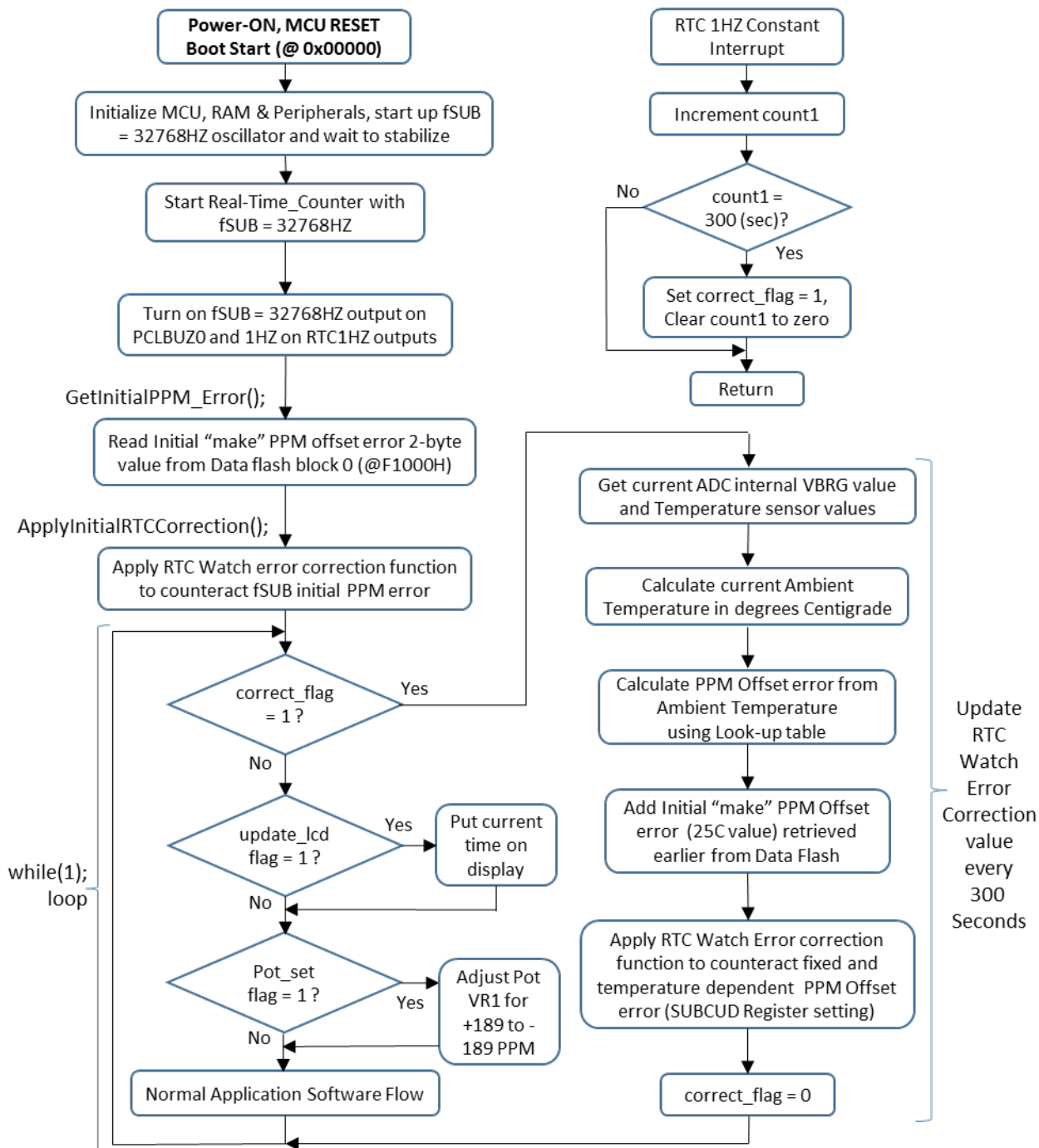
- (a) RTC2 Watch correction has a wider dynamic correction range (correction from -274.6 PPM to +212.6 PPM total offset error relative to ideal 32768HZ). By having a wider range on the minus PPM correction direction, RTC2 Watch error correction can correct a resonator frequency having @25C make tolerance range of about -126.6 PPM to +212.6 PPM, whereas the basic RTC watch error correction can only correct for initial PPM offset error of about -41 PPM to +189 PPM.
- (b) RTC2 Watch correction has finer PPM correction resolution over the whole correction range (in 0.96 PPM steps)
- (c) RTC2 Watch correction corrects the RTC2 elapsed time every 32 seconds, instead of 20 Second or 60 Second update rate on the previous RTC correction function.

Note: the example software project for this app note covers the original RTC watch error correction function only, not the RTC2 type.

5. Watch Error Correction Application Note sample code operation

In main(), the following code sequence implements RTC Watch Error correction function:

main() flowchart:



When the resulting PPM error is in +64 to +189 PPM or -64 to -189 PPM range, then SUBCUD register is set for the RTC Watch correction automatically performed once every 20 second counts (SUBCUD DEV bit = 0) and is applied in 3.05 PPM steps. When the resulting PPM error is in -63 to +63 PPM range, then SUBCUD register can be set for the RTC Watch correction automatically performed once every 60 second counts (SUBCUD DEV bit = 1) and is applied in 1.02 PPM steps.

6. Using RTC1HZ and PCLBUZ0 = f_{SUB} outputs to confirm RTC Watch error correction function

6.1 Factory calibration step

The RL78 PCLBUZ0 = f_{SUB} output or RTC1HZ output can be used by customer factory equipment to determine the 32768HZ (nominal) frequency at 25C, and calculate the initial PPM offset error.

6.2 Observing RTC Watch error correction in operation

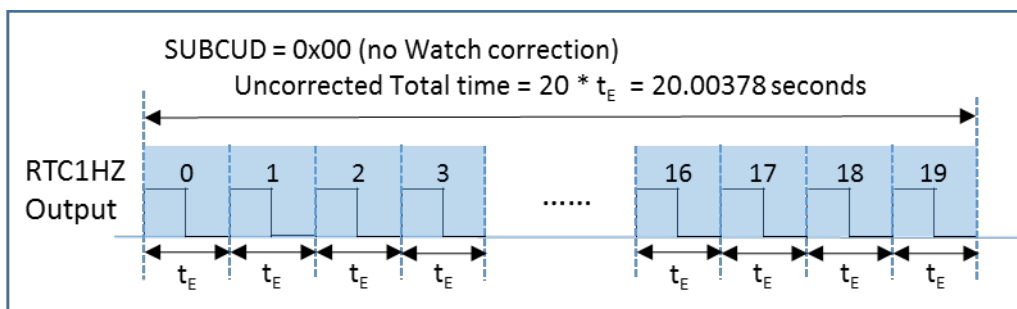
By using an Oscilloscope capture of 1HZ output on RTC1HZ, the Watch error correction function can be verified. When there is no Watch error correction every RTC1HZ interval will have a constant duration with some PPM error from each ideal 1second duration. With Watch error correction enabled, the 1HZ interrupt will still have some error for each 1HZ interval, but total elapsed time can be more nearly correct every 20 or 60 seconds, depending on quantization error and how accurately the PPM error due to ambient temperature is estimated and applied.

In both the following examples, it can be seen that no single “1second” interrupt will ever have an actually interval of one second, unless f_{RTC} = f_{SUB} = 32768HZ exactly and no Watch error correction is applied. Otherwise, with some f_{SUB} frequency error, but optimum Watch error correction applied, then over the long term the RTC “time-of-day” (seconds, mins, hours) elapsed time can be corrected to a much smaller elapsed time error.

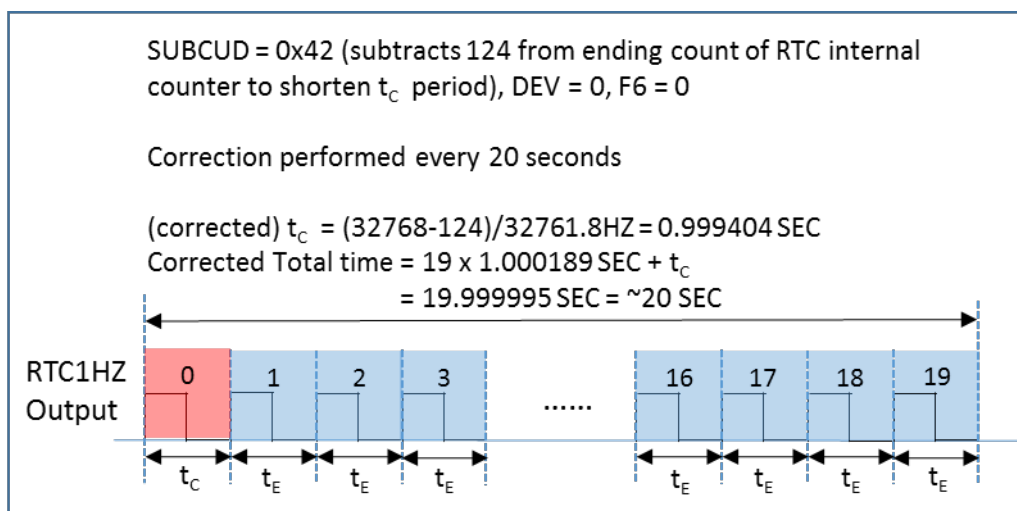
Example 1:

Conditions: Actual f_{RTC} = 32761.8HZ
 $t_E = 1.000189$ seconds
 Correction needed: 32761.8 HZ + 189 PPM = 32768 HZ

With NO RTC Watch error correction:



With RTC Watch error correction enabled (optimum setting):

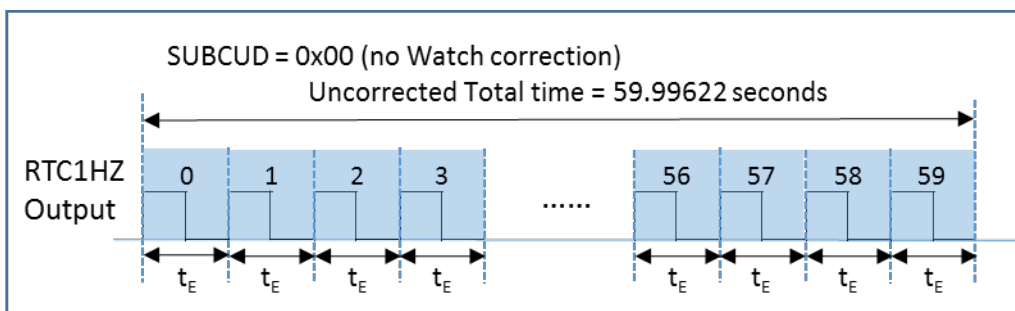


Conclusion: For a large error of -189 PPM the coarse setting of 3.05 PPM correction steps must be used. Watch error correction can be used to get accurate 20 second intervals over the long term. Since the Watch error correction can only be set to 3.05 PPM intervals for PPM error offsets between -64 to -189 PPM and +64 PPM to +189 PPM range, there can be up to 3.05PPM quantization error, even if all other compensation (temperature to PPM offset, etc) is calculated and applied perfectly.

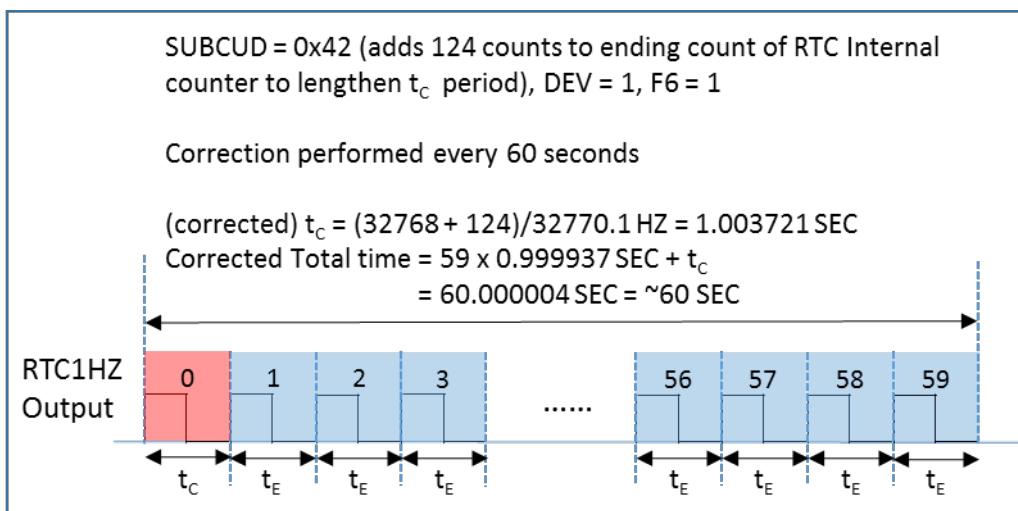
Example 2:

Conditions: actual fRTC = 32770.1
 HZt_E = 0.999937 seconds
 Correction needed: 32770.1 HZ - 63 PPM = 32768 HZ

With NO RTC Watch error correction:



With RTC Watch error correction enabled (optimum setting):



Conclusion: For a smaller error range of +/-63 PPM, the “fine” setting of 1.02 ppm steps can be used. In this mode, Watch error correction can be used to get accurate 60 second intervals over the long term. Using the finer Watch error correction steps of 1.02 PPM allows closer correction to 0 ppm elapsed time error, but there can be up to 1.02 PPM quantization error, even if the initial PPM delivered error and temperature drift errors are offset and applied perfectly.

7. Limitations in using RTC Watch correction Application note software project

There are several areas this Application note does not address or implement.

- (1) This application note example software does not include RL78 serial communication to factory board level equipment to obtain, and store the ceramic resonator 25C initial PPM error into RL78 data flash location. Instead, the initial PPM offset value is “hard-coded” into Data flash, compiled and flash-programmed at the same time as code image.

- (2) Users should consult the chosen 32768HZ resonator manufacturer specs to analyze the distribution of PPM temperature offset error. In many cases, the 0 ppm offset error may not be exactly at 25C but possibly some other reference temperature, for example within 25C +/-5C. In the case of wide ambient temperature operation, setting the 0 PPM offset error temperature reference point will greatly affect the PPM offset calculation accuracy at temperature extremes such as -40C and +85 degrees centigrade.
- (3) The temperature measurement algorithm using RL78 ADC internal voltage reference (VBRG) and internal Temperature sensor may not be very accurate and itself needs factory calibration. Refer to Renesas Electronics application note r01an0988eu0100, RL78 Internal Temperature Sensor Calibration (Using IAR Toolchain), for more details. It was not in the scope of this Watch error correction app note to provide temperature accuracy, but show how to use RL78 RTC Watch error correction function once an accurate ambient temperature is obtained. Also, there may be a slight temperature difference between the RL78 MCU internal die and the 32,768HZ ceramic resonator on PCB. Therefore, it may be necessary for the user to implement a more accurate ceramic resonator temperature measurement system, especially if desired Watch correction accuracy is tight.
- (4) When temperature measurement is referenced to 25C ambient temperature point, it can be seen in Figure 2 that 32768HZ ceramic resonator PPM offset error changes greatly with small temperature changes at extremes of -40C and at +85C. For example there is about 22 PPM offset difference from -40C to -35C. That means that temperature measurement would need almost +/-0.2C degree accuracy to achieve 1 ppm accuracy in Temperature-to-PPM offset calculation between -40C to -35C. This app note SW project uses a rough calculation for Temperature-to-PPM offset to demonstrate Watch correction implementation in simpler platforms not using floating point math routines.
- (5) Since the PPM offset error due to temperature only changes in minus PPM direction, there is non-symmetrical nature to the RTC Watch Error correction. In other words, a 32768 HZ ceramic resonator with an 25C delivered tolerance of +189 PPM (32774.2 HZ @25C) can be corrected close to 0 PPM for any ambient temperature of -40C to +85C, but a resonator with delivered tolerance of -189 PPM relative to 32768HZ (32761.8 HZ @25C) cannot be corrected to 0 PPM, since the total PPM value needing correction is greater than 189 PPM. In actuality, the maximum allowed minus PPM error value @25C that could be corrected at -40C is about -41 PPM below ideal 32768HZ frequency, since PPM offset error due to -40C is about -148 PPM.
- (6) Along with PPM offset calculation errors due to (3) and (4) above, the Watch error correction function is quantified to 1.02 PPM steps within the +/-63PPM range and +3.05 PPM steps outside of +/-63 PPM range. Therefore a careful study should be made to determine the final PPM correction accuracy range, taking all these variations into account along with initial 32768HZ ceramic resonator "make" tolerance, and desired ambient temperature range.

8. RTC Watch error correction example software demo and HW platform

8.1 HW Platform used

This demo uses the YRDKRL78G14 Development board with RL78 device number R5F104PJ, and the following Hardware;

- GLYPH LCD panel (64 x 96 pixels) graphics display – **Figure 5**
- 3 pushbuttons (Switch 1, Switch 2, Switch 3) – **Figure 5**
- 3 LEDs (LED4, LED6, LED15) – **Figure 6**
- PCLBUZ0 output = fSUB on MCU pin 3 (port P140)
- RTC1HZ output on MCU pin 52 (port P30)

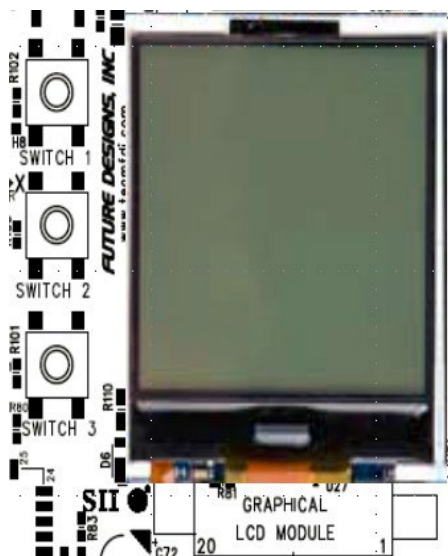


Figure 5: GLYPH display, Pushbutton switches

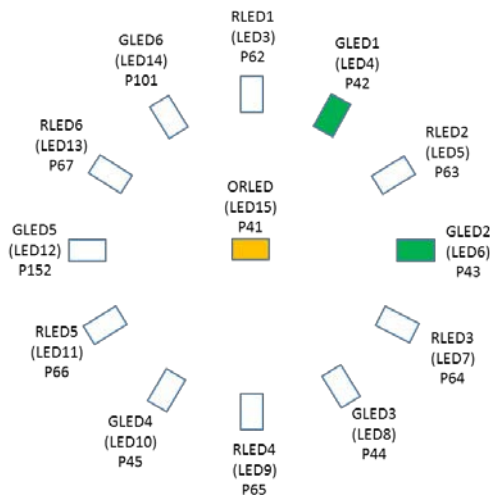


Figure 6: LEDs

8.2 Operation

8.2.1 At power-ON RESET, the GLYPH startup screen shows:

R e a l T i m e C l o c k	Line1
f S U B = 3 2 7 6 8 H z	Line2
1 2 : 0 0 : 5 4	Line3
D F c a l i b = 1 8 9 P P M	Line4
P r e s s S W 2 : a d j V R 1	Line6
U s e D F c a l i b v a l u e	Line7
S U B C U D = 6 7	Line8

Figure 7: Startup screen

- fSUB is the resonator frequency of 32768HZ +/- ?PPM.
- “Time-of-day” is updated at 1HZ rate on Line 3.
- Initial PPM tolerance (offset) error stored in Data Flash is shown on Line 4.
- The RTC watch error correction register “SUBCUD” is updated using Initial PPM offset value and PPM drift error due to Ambient temperature, LED4 (green) flashes for 0.5 Sec when SUBCUD correction register is updated.
- RTC correction interval is normally 300 seconds, but can be changed to shorter value (e.g.:10 Sec) for testing by changing to RTC_CORRECTION_UPDATE_TIME_10 constant set in r_cg_rtc_user.c 1HZ RTC interrupt callback function.
- LED15 (orange) flashes at 0.5HZ rate (1 second ON, 1 second OFF).

8.2.2 To modify VR1 POT setting for Initial PPM error of -189 to +189 PPM range

- Press Switch 2 and the display is changed to:

R e a l T i m e C l o c k	Line1
f S U B = 3 2 7 6 8 H z	Line2
1 2 : 0 0 : 5 4	Line3
D F c a l i b = 1 8 9 P P M	Line4
P O T = 0 P P M	Line5
P r e s s S W 1 : D F c a l i b	Line6
P r e s s S W 3 : V R 1 P O T	Line7
S U B C U D = 6 7	Line8

Figure 8: After pressing SW2

- LED6 (green) flashes at 5HZ rate, and VR1 pot value is converted by ADC every 100mSEC, with last readingshown on Line 6 from -189 to +189 PPM.
- LED5 (orange) keeps flashing at 0.5HZ rate.
- When LED6 is flashing, the RTC 1HZ interrupt still occurs in background, but Time-of-day value on GLYPHdisplay Line3 is not updated. Also, RTC correction updates are suspended.
- Adjust VR1 until desired initial PPM offset is shown on Line 5. (-189 PPM indicates an initial PPM offset for $32768\text{HZ} + 189\text{PPM} = 32774.2\text{HZ}$, and +189PPM indicates an initial PPM offset for $32768\text{HZ} - 189\text{PPM} = 32761.8\text{HZ}$).

8.2.3 Locking in the VR1 POT PPM value

- When SW3 is pressed, the VR1 PPM value on GLYPH display Line 5 is set as initial PPM offset, and LED6stops flashing, and Lines 6 and 7 are updated to:

R e a l T i m e C l o c k	Line1
f S U B = 3 2 7 6 8 H z	Line2
1 2 : 0 0 : 5 4	Line3
D F c a l i b = 1 8 9 P P M	Line4
P O T = - 1 8 9 P P M	Line5
P r e s s S W 2 : a d j V R 1	Line6
U s e P O T P P M v a l u e	Line7
S U B C U D = 6 7	Line8

Figure 9: After pressing SW2, then SW3

(example: after adjusting POT to -189PPM)

- Time-of-day updates are resumed on Line3, and RTC correction updates resume (with LED4 flashing for 0.5seconds when they occur).

- Using the VR1 POT PPM value is a quick method to simulate tests for various Resonator frequency PPMoffsets without having to re-compile and re-program the MCU data flash PPM Offset.

8.2.4 Changing back to original initial PPM offset value in Data Flash

- If the user wants to revert to the original initial PPM offset value stored in data flash, press Switch 2 and then press Switch 1. Then Line 7 will show the message “Use DFcalib value”, which the RTC correction algorithm will then resume using.

Note: the SUBCUD value varies depending on ambient temperature and initial PPM offset value used. The SUBCUD value = 67 is not necessarily correct for all the initial PPM offset values shown in these display examples.

Revision History

Rev.	Date	Description	
		Page	Summary
1.00	Sep 22,2016	-	Initial Release
1.10	June 24,2022	5	Update Software Project Environment

All trademarks and registered trademarks are the property of their respective owners.

General Precautions in the Handling of Microprocessing Unit and Microcontroller Unit Products

The following usage notes are applicable to all Microprocessing unit and Microcontroller unit products from Renesas. For detailed usage notes on the products covered by this document, refer to the relevant sections of the document as well as any technical updates that have been issued for the products.

1. Precaution against Electrostatic Discharge (ESD)

A strong electrical field, when exposed to a CMOS device, can cause destruction of the gate oxide and ultimately degrade the device operation. Steps must be taken to stop the generation of static electricity as much as possible, and quickly dissipate it when it occurs. Environmental control must be adequate. When it is dry, a humidifier should be used. This is recommended to avoid using insulators that can easily build up static electricity. Semiconductor devices must be stored and transported in an anti-static container, static shielding bag or conductive material. All test and measurement tools including work benches and floors must be grounded. The operator must also be grounded using a wrist strap. Semiconductor devices must not be touched with bare hands. Similar precautions must be taken for printed circuit boards with mounted semiconductor devices.

2. Processing at power-on

The state of the product is undefined at the time when power is supplied. The states of internal circuits in the LSI are indeterminate and the states of register settings and pins are undefined at the time when power is supplied. In a finished product where the reset signal is applied to the external reset pin, the states of pins are not guaranteed from the time when power is supplied until the reset process is completed. In a similar way, the states of pins in a product that is reset by an on-chip power-on reset function are not guaranteed from the time when power is supplied until the power reaches the level at which resetting is specified.

3. Input of signal during power-off state

Do not input signals or an I/O pull-up power supply while the device is powered off. The current injection that results from input of such a signal or I/O pull-up power supply may cause malfunction and the abnormal current that passes in the device at this time may cause degradation of internal elements. Follow the guideline for input signal during power-off state as described in your product documentation.

4. Handling of unused pins

Handle unused pins in accordance with the directions given under handling of unused pins in the manual. The input pins of CMOS products are generally in the high-impedance state. In operation with an unused pin in the open-circuit state, extra electromagnetic noise is induced in the vicinity of the LSI, an associated shoot-through current flows internally, and malfunctions occur due to the false recognition of the pin state as an input signal become possible.

5. Clock signals

After applying a reset, only release the reset line after the operating clock signal becomes stable. When switching the clock signal during program execution, wait until the target clock signal is stabilized. When the clock signal is generated with an external resonator or from an external oscillator during a reset, ensure that the reset line is only released after full stabilization of the clock signal. Additionally, when switching to a clock signal produced with an external resonator or by an external oscillator while program execution is in progress, wait until the target clock signal is stable.

6. Voltage application waveform at input pin

Waveform distortion due to input noise or a reflected wave may cause malfunction. If the input of the CMOS device stays in the area between V_{IL} (Max.) and V_{IH} (Min.) due to noise, for example, the device may malfunction. Take care to prevent chattering noise from entering the device when the input level is fixed, and also in the transition period when the input level passes through the area between V_{IL} (Max.) and V_{IH} (Min.).

7. Prohibition of access to reserved addresses

Access to reserved addresses is prohibited. The reserved addresses are provided for possible future expansion of functions. Do not access these addresses as the correct operation of the LSI is not guaranteed.

8. Differences between products

Before changing from one product to another, for example to a product with a different part number, confirm that the change will not lead to problems. The characteristics of a microprocessing unit or microcontroller unit products in the same group but having a different part number might differ in terms of internal memory capacity, layout pattern, and other factors, which can affect the ranges of electrical characteristics, such as characteristic values, operating margins, immunity to noise, and amount of radiated noise. When changing to a product with a different part number, implement a system-evaluation test for the given product.

Notice

1. Descriptions of circuits, software and other related information in this document are provided only to illustrate the operation of semiconductor products and application examples. You are fully responsible for the incorporation or any other use of the circuits, software, and information in the design of your product or system. Renesas Electronics disclaims any and all liability for any losses and damages incurred by you or third parties arising from the use of these circuits, software, or information.
2. Renesas Electronics hereby expressly disclaims any warranties against and liability for infringement or any other claims involving patents, copyrights, or other intellectual property rights of third parties, by or arising from the use of Renesas Electronics products or technical information described in this document, including but not limited to, the product data, drawings, charts, programs, algorithms, and application examples.
3. No license, express, implied or otherwise, is granted hereby under any patents, copyrights or other intellectual property rights of Renesas Electronics or others.
4. You shall be responsible for determining what licenses are required from any third parties, and obtaining such licenses for the lawful import, export, manufacture, sales, utilization, distribution or other disposal of any products incorporating Renesas Electronics products, if required.
5. You shall not alter, modify, copy, or reverse engineer any Renesas Electronics product, whether in whole or in part. Renesas Electronics disclaims any and all liability for any losses or damages incurred by you or third parties arising from such alteration, modification, copying or reverse engineering.
6. Renesas Electronics products are classified according to the following two quality grades: "Standard" and "High Quality". The intended applications for each Renesas Electronics product depends on the product's quality grade, as indicated below.

"Standard": Computers; office equipment; communications equipment; test and measurement equipment; audio and visual equipment; home electronic appliances; machine tools; personal electronic equipment; industrial robots; etc.

"High Quality": Transportation equipment (automobiles, trains, ships, etc.); traffic control (traffic lights); large-scale communication equipment; key financial terminal systems; safety control equipment; etc.

Unless expressly designated as a high reliability product or a product for harsh environments in a Renesas Electronics data sheet or other Renesas Electronics document, Renesas Electronics products are not intended or authorized for use in products or systems that may pose a direct threat to human life or bodily injury (artificial life support devices or systems; surgical implantations; etc.), or may cause serious property damage (space system; undersea repeaters; nuclear power control systems; aircraft control systems; key plant systems; military equipment; etc.). Renesas Electronics disclaims any and all liability for any damages or losses incurred by you or any third parties arising from the use of any Renesas Electronics product that is inconsistent with any Renesas Electronics data sheet, user's manual or other Renesas Electronics document.

7. No semiconductor product is absolutely secure. Notwithstanding any security measures or features that may be implemented in Renesas Electronics hardware or software products, Renesas Electronics shall have absolutely no liability arising out of any vulnerability or security breach, including but not limited to any unauthorized access to or use of a Renesas Electronics product or a system that uses a Renesas Electronics product. RENESAS ELECTRONICS DOES NOT WARRANT OR GUARANTEE THAT RENESAS ELECTRONICS PRODUCTS, OR ANY SYSTEMS CREATED USING RENESAS ELECTRONICS PRODUCTS WILL BE INVULNERABLE OR FREE FROM CORRUPTION, ATTACK, VIRUSES, INTERFERENCE, HACKING, DATA LOSS OR THEFT, OR OTHER SECURITY INTRUSION ("Vulnerability Issues"). RENESAS ELECTRONICS DISCLAIMS ANY AND ALL RESPONSIBILITY OR LIABILITY ARISING FROM OR RELATED TO ANY VULNERABILITY ISSUES. FURTHERMORE, TO THE EXTENT PERMITTED BY APPLICABLE LAW, RENESAS ELECTRONICS DISCLAIMS ANY AND ALL WARRANTIES, EXPRESS OR IMPLIED, WITH RESPECT TO THIS DOCUMENT AND ANY RELATED OR ACCOMPANYING SOFTWARE OR HARDWARE, INCLUDING BUT NOT LIMITED TO THE IMPLIED WARRANTIES OF MERCHANTABILITY, OR FITNESS FOR A PARTICULAR PURPOSE.
8. When using Renesas Electronics products, refer to the latest product information (data sheets, user's manuals, application notes, "General Notes for Handling and Using Semiconductor Devices" in the reliability handbook, etc.), and ensure that usage conditions are within the ranges specified by Renesas Electronics with respect to maximum ratings, operating power supply voltage range, heat dissipation characteristics, installation, etc. Renesas Electronics disclaims any and all liability for any malfunctions, failure or accident arising out of the use of Renesas Electronics products outside of such specified ranges.
9. Although Renesas Electronics endeavors to improve the quality and reliability of Renesas Electronics products, semiconductor products have specific characteristics, such as the occurrence of failure at a certain rate and malfunctions under certain use conditions. Unless designated as a high reliability product or a product for harsh environments in a Renesas Electronics data sheet or other Renesas Electronics document, Renesas Electronics products are not subject to radiation resistance design. You are responsible for implementing safety measures to guard against the possibility of bodily injury, injury or damage caused by fire, and/or danger to the public in the event of a failure or malfunction of Renesas Electronics products, such as safety design for hardware and software, including but not limited to redundancy, fire control and malfunction prevention, appropriate treatment for aging degradation or any other appropriate measures. Because the evaluation of microcomputer software alone is very difficult and impractical, you are responsible for evaluating the safety of the final products or systems manufactured by you.
10. Please contact a Renesas Electronics sales office for details as to environmental matters such as the environmental compatibility of each Renesas Electronics product. You are responsible for carefully and sufficiently investigating applicable laws and regulations that regulate the inclusion or use of controlled substances, including without limitation, the EU RoHS Directive, and using Renesas Electronics products in compliance with all these applicable laws and regulations. Renesas Electronics disclaims any and all liability for damages or losses occurring as a result of your noncompliance with applicable laws and regulations.
11. Renesas Electronics products and technologies shall not be used for or incorporated into any products or systems whose manufacture, use, or sale is prohibited under any applicable domestic or foreign laws or regulations. You shall comply with any applicable export control laws and regulations promulgated and administered by the governments of any countries asserting jurisdiction over the parties or transactions.
12. It is the responsibility of the buyer or distributor of Renesas Electronics products, or any other party who distributes, disposes of, or otherwise sells or transfers the product to a third party, to notify such third party in advance of the contents and conditions set forth in this document.
13. This document shall not be reprinted, reproduced or duplicated in any form, in whole or in part, without prior written consent of Renesas Electronics.
14. Please contact a Renesas Electronics sales office if you have any questions regarding the information contained in this document or Renesas Electronics products.

(Note1) "Renesas Electronics" as used in this document means Renesas Electronics Corporation and also includes its directly or indirectly controlled subsidiaries.

(Note2) "Renesas Electronics product(s)" means any product developed or manufactured by or for Renesas Electronics.

(Rev.5.0-1 October 2020)

Corporate Headquarters

TOYOSU FORESIA, 3-2-24 Toyosu,
Koto-ku, Tokyo 135-0061, Japan
www.renesas.com

Trademarks

Renesas and the Renesas logo are trademarks of Renesas Electronics Corporation. All trademarks and registered trademarks are the property of their respective owners.

Contact information

For further information on a product, technology, the most up-to-date version of a document, or your nearest sales office, please visit:
www.renesas.com/contact/