

BATTERY MANAGEMENT SOLUTIONS

Charger ICs, Fuel Gauge ICs, USB PD



RELIABILITY AND PERFORMANCE

BATTERY MANAGEMENT

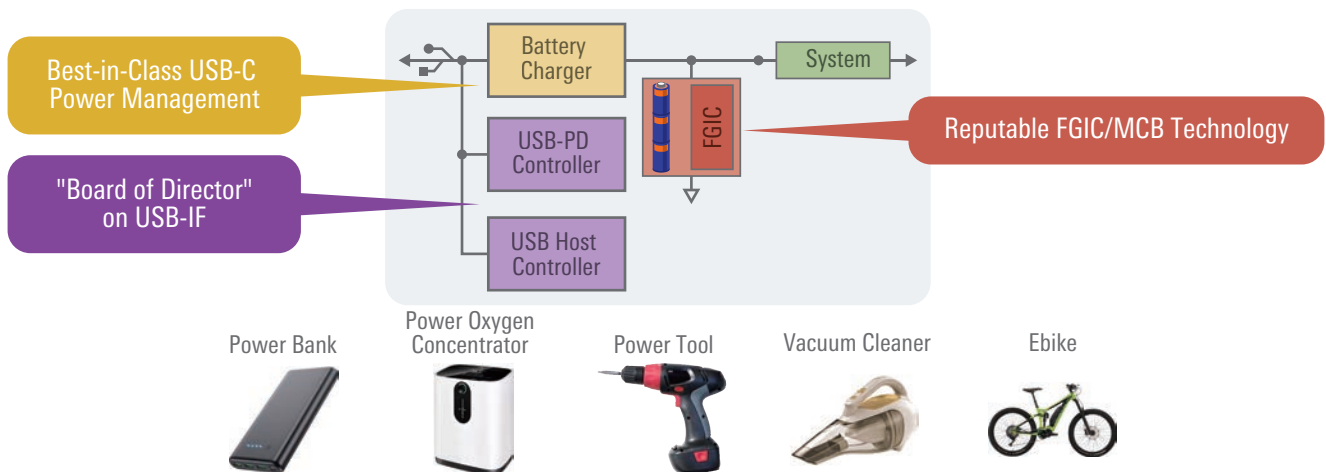


CONTENTS

USB-C™ Power Delivery	4
Charger ICs	6
Battery Management	8

Complete Battery Management Solutions

Renesas offers a complete portfolio of high-performance solutions for Charger ICs, USB-PD solutions, Fuel Gauge ICs, and Battery Front End ICs to cover consumer, computing, and industrial applications for batteries from one cell to many cells. Renesas battery management solutions are backed by tested reference designs and strong applications support. Our products will address your design challenges and increase your battery performance.

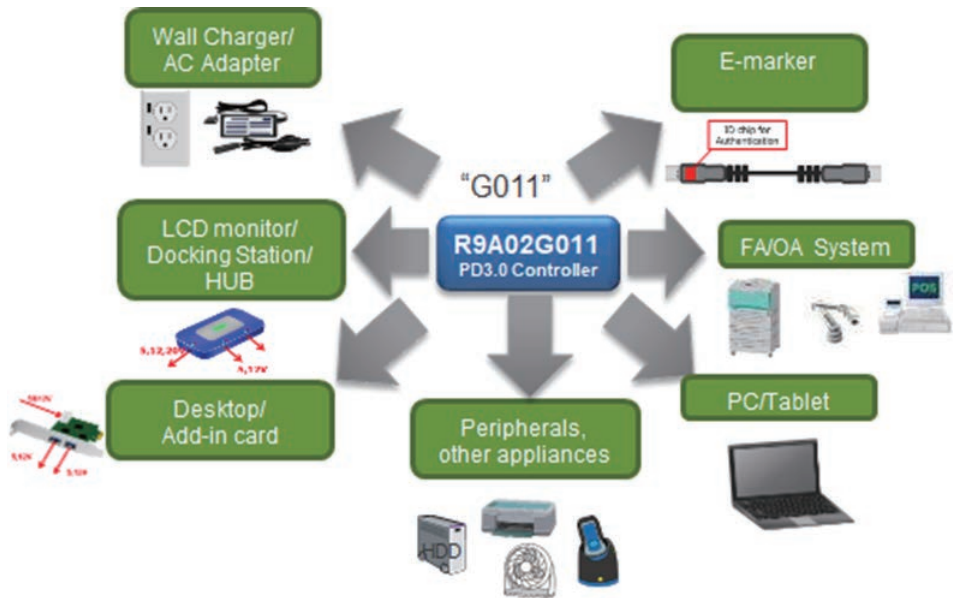


USB-C™ POWER DELIVERY

USB-C Power Delivery (USB PD) enables flexible power delivery and data over a single cable via the ubiquitous USB connections supported by the USB Ecosystem.

Benefits and Key Features

- USB-PD Compliant supporting power delivery up to 20V
- Flexible controller for applications implementing different USB-PD power roles (e.g. source only, sink only, Dual-Role-Power DRP)
- Easy firmware update for fine tuning USB-PD behavior
- Advanced feature support (e.g. Programmable Power Supply PPS, Fast Role Swap FRS)

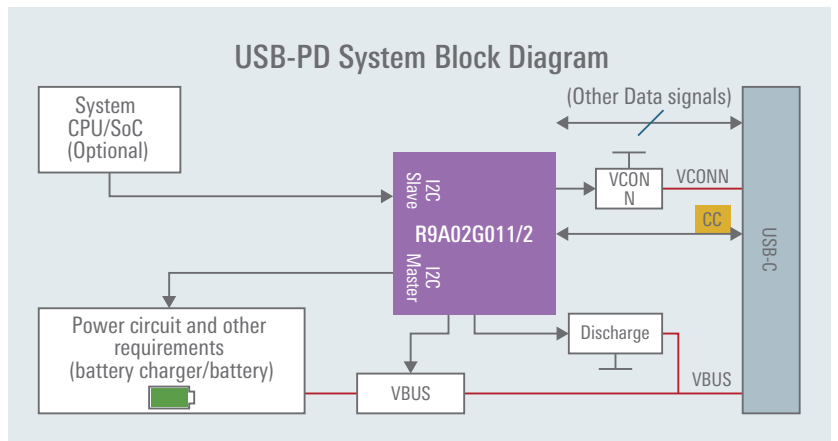


R9A02G011 USB-PD Controller

- USB Type-C™ & USB-PD compliant
- Controls power circuit (via I2C)
- Built-in authentication mechanism
- Need external authentication MCU
- Firmware Control of VBUS, MUX Retimer, Alt Mode
- Firmware Updates via USB-C or I2C, Support for FR_SWAP
- 32ld QFN package

R9A02G012 RA9A02G011 + Secure MCU

- "Secure" to prevent cracking for obtaining private key
- Support USB-C Authentication
- 40pin QFN & 42pin BGA

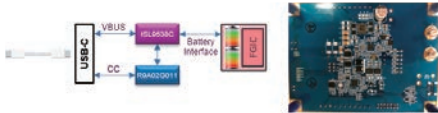


USB-C Power Delivery : Reference Designs

Product ready schematic, layout, F/W reference designs

1. Power Bank Reference Design
2. USB-PD + WP Tx Reference Design
3. Dual Role Power Reference Design


USB-IF Certified Power Bank Reference Design



- RTK-251-1PowerBank3 Reference Design Kit
 - Part Number RTK0EU011D06000BJ
- Type-C port supporting PD3.0 with PPS
 - Role: Dual Role Power
 - USB-C Power Source voltages supported = 5,9,15,20V and
 - USB-C Power Sink voltages supported = 5V - 20V

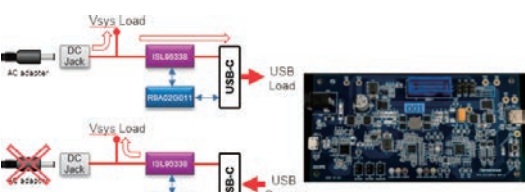
TID	Power Role	PD (PD Power)	Fixed 5V	Fixed 9V	Fixed 15V	Fixed 20V	Pr	Dr
1090007	USB	45W SRC	✓	✓	✓	✓		
1090008	USB	60W SNK	✓	✓	✓	✓		
1090009	USB	15W SRC	✓	✓	✓	✓		
1090010	USB	60W SNK	✓	✓	✓	✓		

USB-PD + WP Tx Ref Design



- P9047-RB-EVK
- 30V+ Power Delivery
- PD: Supports USB Type-C PD power adapters with PPS protocol
- PD: Supports QC 2.0/3.0 Adapters
- WP: Implements REA High Power Protocol after secure authentication
- WP: Advanced Enhanced FOD detection algorithm
- WP: Optimizes the power efficiency using REA High Power Protocol
- WP: WPC 1.3 Protocol ready
- WP: Implements MPAC/SPAB WPC coil reference design
- Contact: gopinath.aj@renesas.jp@renesas.com

Dual-Role Power Reference Design



- USB-C supporting PD3.0 with PPS
- Role: Dual Role Power
- USB-C Power Source voltages supported = 5,9,15,20V and 12V
- USB-C Power Sink voltages supported = 5V - 20V

USB 2.0, USB 3.2 Gen 1 Data Products

	Part Number	Description	Ta	Package	EVK P/N
USB 3.2 Gen 1 Host Controller	μPD720201K8-701-BAC-A	USB 3.0 Host Controller (4-port)	0 to +85°C	68-pin QFN (8mm x 8mm, 0.4mm pitch)	YET-D720201-0014 or RTKA720201DE0000BU (Model N)
	μPD720201K8-711-BAC-A	USB 3.0 Host Controller (4-port)	-40 to +85°C	68-pin QFN (8mm x 8mm, 0.4mm pitch)	YET-D720201-0014 or RTKA720201DE0000BU (Model N) (use -701)
	μPD720202K8-701-BAA-A	USB 3.0 Host Controller (2-port)	0 to +85°C	48-pin QFN (7mm x 7mm, 0.5mm pitch)	YET-D720202-0014 or RTKA720202DE0000BU (Model N) (use -701)
	μPD720202K8-711-BAA-A	USB 3.0 Host Controller (2-port)	-40 to +85°C	48-pin QFN (7mm x 7mm, 0.5mm pitch)	YET-D720202-0014 or RTKA720202DE0000BU (Model N) (use -701)
USB 3.2 Gen 1 Hub Controller	μPD720210K8-BAF-A	USB 3.0 Hub Controller (4-port)	0 to +70°C	76-pin QFN (9mm x 9mm)	YET-D720210-0004 (Model N) ET-D720210-0001 (Contact Product Line)
	μPD720211K8-611-BAL-A	USB 3.0 Hub Controller (2-port)	0 to +70°C	56-pin QFN (8mm x 8mm)	ET-D7202011-0002 (Contact Product Line)
	μPD720211K8-711-BAL-A	USB 3.0 Hub Controller (2-port)	-40 to +70°C	56-pin QFN (8mm x 8mm)	ET-D7202011-0002 (Contact Product Line) (use -611)
USB 2.0 Hub Controller	μPD720115K8-611-BAK-A	USB 2.0 Hub Controller (4-port)	0 to +85°C	40-pin QFN (6mm x 6mm)	ET-D720115-0002-B (Contact Product Line)
	μPD720115K8-711-BAK-A	USB 2.0 Hub Controller (4-port)	-40 to +85°C	40-pin QFN (6mm x 6mm)	ET-D720115-0002-B (Contact Product Line) (use -611)

Document Link <https://www.renesas.com/in/en/products/usb-assp.html>
 (Requires "My Renesas" Account, also request "Secure Content" for full documentation access)

CHARGER ICs

Renesas' highly versatile battery charger ICs support devices with rechargeable 2, 3 or 4-cell batteries and include configurations such as a hybrid power boost (HPB), narrow output voltage DC (NVDC), buck-boost NVDC, and SMBus Level 2

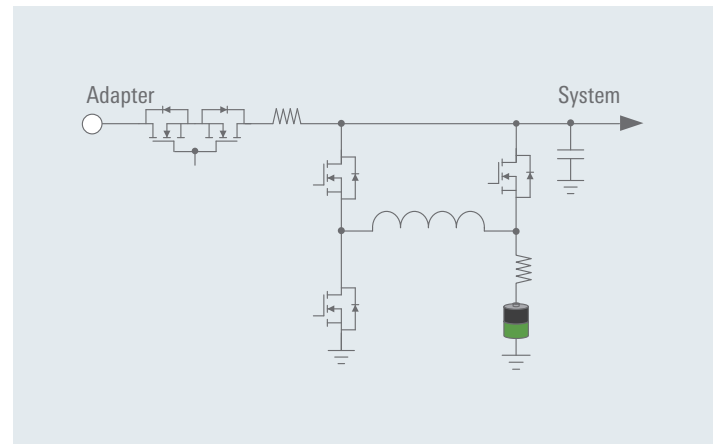
Benefits and Key Features

- High efficiency
- Fast transient response
- High accuracy voltage/current control
- Robustness to noise

Part Number	Vin Range(V)	Vout Range (V)	Function	Control Type	Package Type
ISL95522A	Up to 23.4V	2.048V ~ 18.432V	Buck charger	Robust Ripple Regulator (R3)	4x4 32Ld QFN
ISL9238C	3.9V ~ 23.4V	2.4V ~ 18.304V	Buck-Boost charger	Robust Ripple Regulator (R3)	4x4 32Ld TQFN
RAA489000	3.9V ~ 23.4V	3.9V ~ 18.304V	Buck-Boost charger + TCPC	Robust Ripple Regulator (R3)	5x5 40Ld QFN
RAA489800	3.8V ~ 23V	Up to 21V	Buck-Boost VR	Robust Ripple Regulator (R3)	4x4 32Ld TQFN

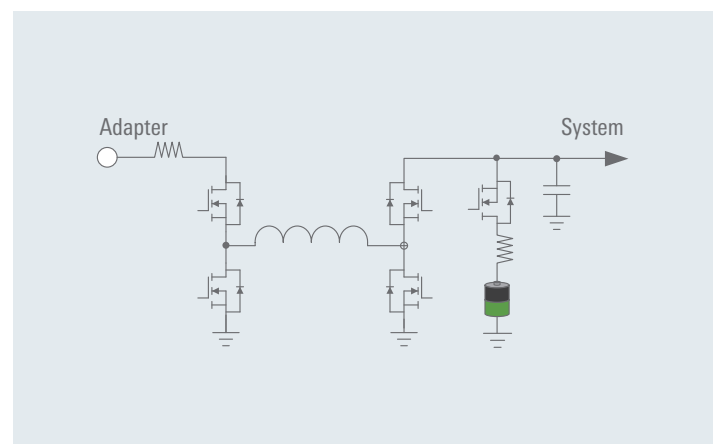
ISL95522A Combo Buck Charger

- Buck HPB/NVDC charger for 2 to 4-cell Li-ion batteries
- Current monitor AMON/BMON output, IMVP compliant
- Trickle charging depleted battery
- Optional ASGATE FET control
- Uses NFET for all switches
- Ideal diode control in Turbo mode
- Two-level adapter current limit available
- SMBus and auto-increment I2C compatible



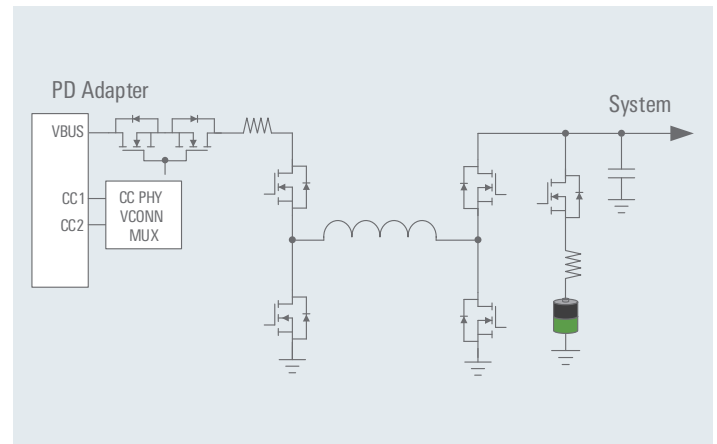
ISL9238C Buck Boost Charger

- Buck-boost NVDC charger for 2 to 4-cell Li-ion batteries
- Autonomous charging option (automatic charging completion)
- Pass-through mode in forward direction
- System power monitor PSYS output, IMVP compliant
- PROCHOT# open-drain output, IMVP compliant
- Trickle charging of depleted battery
- Adapter current and battery current monitor (AMON/BMON)
- Ideal diode control in Turbo mode
- Reverse buck, boost, and buck-boost operation from battery
- Two-level adapter current limit available
- Battery Ship mode option
- SMBus and auto-increment I2C compatible



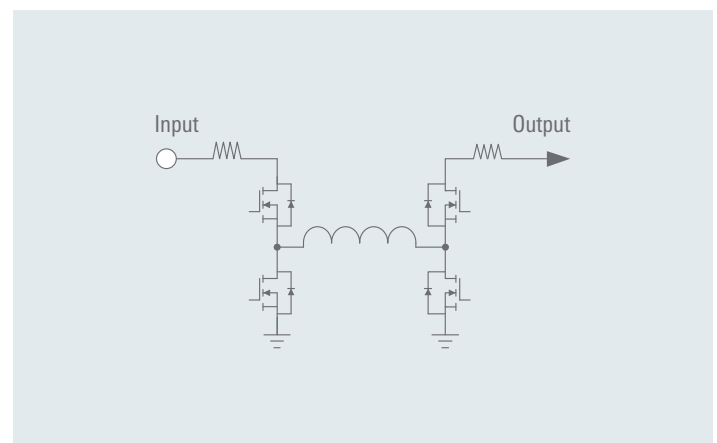
RAA489000 BB Charger + TCPC

- Buck–boost NVDC charger for 2 to 4-cell Li-ion batteries using all NFET transistors
- USB-C Port Controller (TCPC) with integrated TCPC PHY, CC-Logic
- Dual SMBus/I2C Ports for charger programming and CC line traffic
- Internal 500mOhm VCONN MUX for up to 1.6A
- Input voltage range 3.9V to 23.4V (no dead zone)
- System/battery output voltage: 3.0V to 18.304V
- 28V protection for CC1/CC2/VBUS
- Adapter Crash Prevention with adapter current and battery current regulation
- Adapter current and battery current monitor (AMON/BMON)
- Internal 8-bit ADC for charger operation telemetry
- Software configurable for DFP, UFP, or DRP
- USB-C PD Sink Fast Role Swap (FRS) and PPS support
- Pass-through mode (PTM) in forward direction
- Trickle charging depleted battery
- PROCHOT# open-drain output, IMVP compliant
- Battery Ship mode option – IC ultra-low power state
- JEITA compliant autonomous charging
- Dynamic Voltage Compensation (DVC) for multi-port charging
- USB Power Delivery (PD) 3.0 and Programmable Power Supply (PPS) certified
- UL 2367, IEC 62368-1: File No. E520109



RAA489800 BB Voltage Regulator

- Bidirectional buck, boost, and buck–boost operation
- Configurable for 4-switch buck-boost or 2-switch buck operation
- Input voltage range: 3.8V to 23V (no dead zone)
- Output Voltage up to 21V
- Up to 1MHz switching frequency
- Pin programmable soft-start time
- LDO output for VDD and VDDP
- System FAULT and ALERT function
- Input/output internal discharge function
- Active switching for negative voltage transitions
- Pass-through mode in both directions
- Forward and Reverse mode enable pins
- OCP, OVP, UVP, and OTP protection
- Absolute overvoltage protection
- SMBus and auto-increment I2C compatible
- UL 2367, IEC 62368-1: File No. E520109

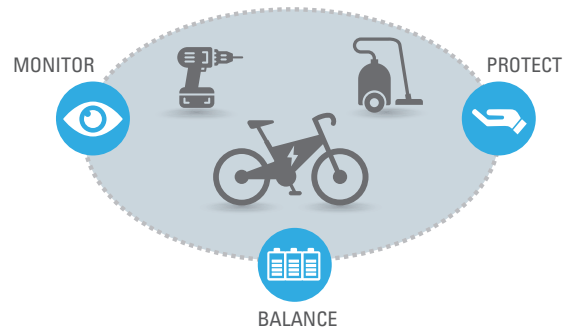


BATTERY MANAGEMENT

Management and Protection of Lithium-ion Batteries

Protect, Monitor & Balance Rechargeable Battery Packs

Renesas' Li-ion battery pack monitoring, protection, and balancing ICs are specifically designed to meet the stringent safety, reliability, and performance requirements of portable and battery powered applications such as consumer, computing and industrial products.



Battery Front End (BFE), Battery Management ICs

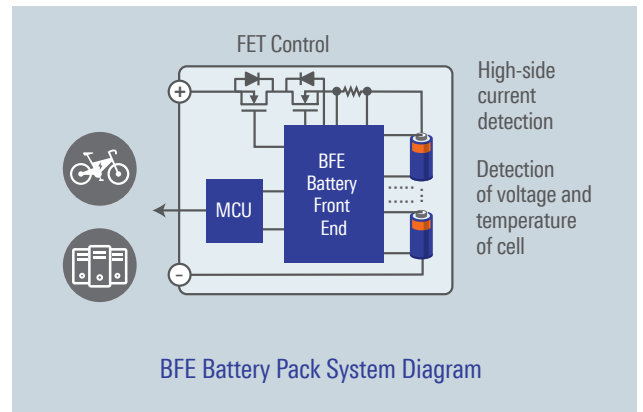
Benefits and Key Features

Protection and Cell Balancing

- Hot plug tolerant
- Over/under voltage
- Charge/discharge current
- FET control when error detected
- Open-wire detection
- Auto-cell balancing

Host Controlled Features

- Current measurement
- Cell voltage measurement
- Pack voltage measurement
- Temperature measurement
- LED indication by GPIO
- Power supply for MCU



RAA489206

Industrial Battery Front End Protects, Monitors, and Balances High Voltage Battery Packs

- Up to 16 cell inputs
- Highly integrated, includes charge pump, high side FET drivers, current measurement, LDO, wake-up logic, internal and external balancing circuits, and LED drivers
- Hot plug tested and proven via random connection trials
- Reference circuit, sample code, and high degree of integration accelerates battery pack design, test and verification

RAA489204

- Up to 14 cell inputs
- Daisy Chainable up to 30 ICs
- 1Mbps differential SPI communications
- Reference circuit, sample code, GUI accelerates module design

Battery Front End, Multi-Cell Li-Ion Battery Management ICs

Cells	Pack Voltage (V)	Part Number	Cell Balance	Current Sense	Charge/Discharge FET	Internal ADC	Features	Package
4 to 16	12 to 60 (60V available Q2'2022)	RAA489206	Both Internal and External	Low Side	N-channel, High side and Low side	Yes	LDO, LED Drivers	64QFN
4 to 6	4 to 26.4	ISL94208	Both Internal and External	Low Side	N-channel, Low Side	No	Simplicity, internal cell balancing	32QFN
6 to 14 (and Daisy Chain)	10 to 65	RAA489204	Both Internal and External	No	N/A	Yes	Daisy chain	64TQFP
3 to 8	4 to 36	ISL94202	External	High Side	N-channel, High Side	Yes	High-side current sense, standalone capable	48TQFN

Battery Fuel Gauge ICs (FGIC)

Dedicated single-package solution with MCU and AFE provides an intelligent, programmable system for battery management that constantly monitors and protects the battery.

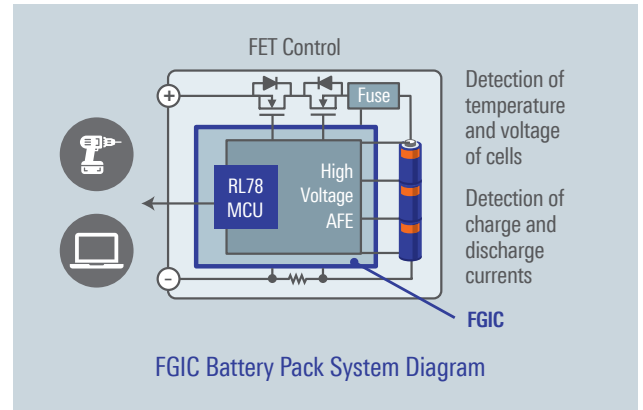
Benefits and Key Features

Safety and Protection Control

- Over/under voltage
- Charge/discharge current
- FET control when error detected
- Self Control Protector (SCP) drive
- Cell balancing

Remaining Capacity Management

- Current/voltage/temperature measurement
- High precision coulomb counter
- Battery degradation monitor
- Calculation and learning of battery capacity
- Current/voltage calibration
- Fault detection/history management



FGIC Block Diagram

Voltage and Current Measurement by Independent A/D Converters

- Current measurement: 153 $\mu\text{A}/\text{LSB}$ resolution (18-bit $\Delta\Sigma$ ADC 5 m Ω shunt resistor) supporting simultaneous measurement
- Voltage/temperature measurement: 15-bit $\Delta\Sigma$ ADC

High Reliability & High Integration

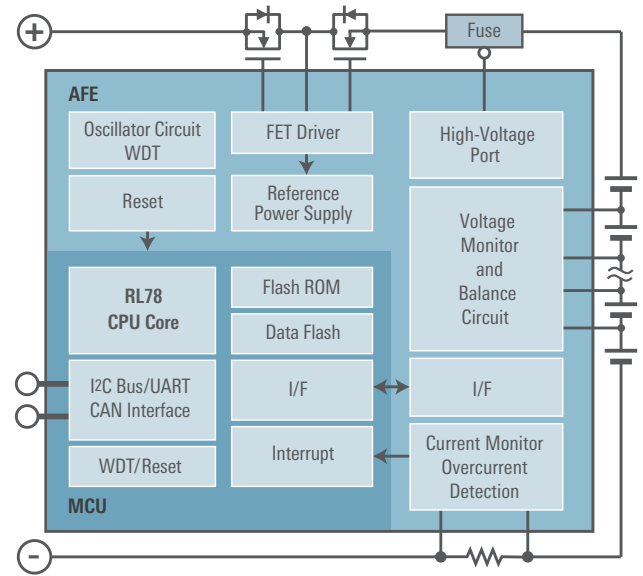
- Built-in FET protection for overcurrent and short circuit conditions
- Redundant fault detection by both MCU and AFE
- Ability to set lifecycle related limits and maintain battery parameter and operation history using data flash guaranteed for 100,000 erase/write cycles
- Integrated CAN interface and RTC (Real Time Clock) circuit for industrial apps; ICs can manage date and time in a single device (RAJ240090 and RAJ240100)

Few Parts, Low System Cost

- Supports large-current discharge with N-channel FET drivers
- Integrated pull-up resistors for thermistor

Extended Battery Life

- Low power mode with consumption of 25 μA or less and cell balance circuit to maximize battery capacity (RAJ240090 and RAJ240100)



Battery Fuel Gauge ICs

Cells	Pack Voltage (V)	Part Number	Flash ROM	RAM	Charge/Discharge FET Control	Serial I/F	I/O	Features	Package
2 to 4	4 to 25	RAJ240045	64 KB	4.0 KB	High side	I ² C, UART	12	Compact package (4mm x 4mm)	32QFN
		RAJ240047	128 KB	5.5 KB					
2 to 5	4 to 25	RAJ240071	32 KB	1.5 KB	High side	I ² C, UART	11	Compact package (4mm x 4mm) 5 cell support	32QFN
		RAJ240075	64 KB	4.0 KB					
3 to 7	4 to 40	RAJ240301	64 KB	5.5 KB	Low side	I ² C, UART	21	GPIO: I/O x 17, Input x 2, HVIO x 2	48QFP
3 to 8	4 to 50	RAJ240090	128 KB	7 KB	High / Low side	I ² C, UART, CAN	31	High voltage tolerance, on-chip CAN, low power consumption (25 μA)	64LQFP
3 to 10	4 to 50	RAJ240100	128 KB	7 KB	High / Low side	I ² C, UART, CAN	31	High voltage tolerance, on-chip CAN, low power consumption (25 μA)	64LQFP
3 to 10	4 to 50	RAJ240310	64KB	4.0KB	Low side	I ² C, UART	15	Compact package (5mm x 5mm) 10 cell support	40QFN

Notice

- Descriptions of circuits, software and other related information in this document are provided only to illustrate the operation of semiconductor products and application examples. You are fully responsible for the incorporation or any other use of the circuits, software, and information in the design of your product or system. Renesas Electronics disclaims any and all liability for any losses and damages incurred by you or third parties arising from the use of these circuits, software, or information.
 - Renesas Electronics hereby expressly disclaims any warranties against and liability for infringement or any other claims involving patents, copyrights, or other intellectual property rights of third parties, by or arising from the use of Renesas Electronics products or technical information described in this document, including but not limited to, the product data, drawings, charts, programs, algorithms, and application examples.
 - No license, express, implied or otherwise, is granted hereby under any patents, copyrights or other intellectual property rights of Renesas Electronics or others.
 - You shall be responsible for determining what licenses are required from any third parties, and obtaining such licenses for the lawful import, export, manufacture, sales, utilization, distribution or other disposal of any products incorporating Renesas Electronics products, if required.
 - You shall not alter, modify, copy, or reverse engineer any Renesas Electronics product, whether in whole or in part. Renesas Electronics disclaims any and all liability for any losses or damages incurred by you or third parties arising from such alteration, modification, copying or reverse engineering.
 - Renesas Electronics products are classified according to the following two quality grades: "Standard" and "High Quality". The intended applications for each Renesas Electronics product depends on the product's quality grade, as indicated below.
 "Standard": Computers; office equipment, communications equipment; test and measurement equipment; audio and visual equipment; home electronic appliances; machine tools; personal electronic equipment; industrial robots; etc.
 "High Quality": Transportation equipment (automobiles, trains, ships, etc.); traffic control (traffic lights); large-scale communication equipment; key financial terminal systems; safety control equipment; etc.
 Unless expressly designated as a high reliability product or a product for harsh environments in a Renesas Electronics data sheet or other Renesas Electronics document, Renesas Electronics products are not intended or authorized for use in products or systems that may pose a direct threat to human life or bodily injury (artificial life support devices or systems; surgical implantations; etc.), or may cause serious property damage (space system; undersea repeaters; nuclear power control systems; aircraft control systems; key plant systems; military equipment; etc.). Renesas Electronics disclaims any and all liability for any damages or losses incurred by you or any third parties arising from the use of any Renesas Electronics product that is inconsistent with any Renesas Electronics data sheet, user's manual or other Renesas Electronics document.
 - No semiconductor product is absolutely secure. Notwithstanding any security measures or features that may be implemented in Renesas Electronics hardware or software products, Renesas Electronics shall have absolutely no liability arising out of any vulnerability or security breach, including but not limited to any unauthorized access to or use of a Renesas Electronics product or a system that uses a Renesas Electronics product. RENESAS ELECTRONICS DOES NOT WARRANT OR GUARANTEE THAT RENESAS ELECTRONICS PRODUCTS, OR ANY SYSTEMS CREATED USING RENESAS ELECTRONICS PRODUCTS WILL BE INVULNERABLE OR FREE FROM CORRUPTION, ATTACK, VIRUSES, INTERFERENCE, HACKING, DATA LOSS OR THEFT, OR OTHER SECURITY INTRUSION ("Vulnerability Issues"). RENESAS ELECTRONICS DISCLAIMS ANY AND ALL RESPONSIBILITY OR LIABILITY ARISING FROM OR RELATED TO ANY VULNERABILITY ISSUES. FURTHERMORE, TO THE EXTENT PERMITTED BY APPLICABLE LAW, RENESAS ELECTRONICS DISCLAIMS ANY AND ALL WARRANTIES, EXPRESS OR IMPLIED, WITH RESPECT TO THIS DOCUMENT AND ANY RELATED OR ACCOMPANYING SOFTWARE OR HARDWARE, INCLUDING BUT NOT LIMITED TO THE IMPLIED WARRANTIES OF MERCHANTABILITY, OR FITNESS FOR A PARTICULAR PURPOSE.
 - When using Renesas Electronics products, refer to the latest product information (data sheets, user's manuals, application notes, "General Notes for Handling and Using Semiconductor Devices" in the reliability handbook, etc.), and ensure that usage conditions are within the ranges specified by Renesas Electronics with respect to maximum ratings, operating power supply voltage range, heat dissipation characteristics, installation, etc. Renesas Electronics disclaims any and all liability for any malfunctions, failure or accident arising out of the use of Renesas Electronics products outside of such specified ranges.
 - Although Renesas Electronics endeavors to improve the quality and reliability of Renesas Electronics products, semiconductor products have specific characteristics, such as the occurrence of failure at a certain rate and malfunctions under certain use conditions. Unless designated as a high reliability product or a product for harsh environments in a Renesas Electronics data sheet or other Renesas Electronics document, Renesas Electronics products are not subject to radiation resistance design. You are responsible for implementing safety measures to guard against the possibility of bodily injury, injury or damage caused by fire, and/or danger to the public in the event of a failure or malfunction of Renesas Electronics products, such as safety design for hardware and software, including but not limited to redundancy, fire control and malfunction prevention, appropriate treatment for aging degradation or any other appropriate measures. Because the evaluation of microcomputer software alone is very difficult and impractical, you are responsible for evaluating the safety of the final products or systems manufactured by you.
 - Please contact a Renesas Electronics sales office for details as to environmental matters such as the environmental compatibility of each Renesas Electronics product. You are responsible for carefully and sufficiently investigating applicable laws and regulations that regulate the inclusion or use of controlled substances, including without limitation, the EU RoHS Directive, and using Renesas Electronics products in compliance with all these applicable laws and regulations. Renesas Electronics disclaims any and all liability for damages or losses occurring as a result of your noncompliance with applicable laws and regulations.
 - Renesas Electronics products and technologies shall not be used for or incorporated into any products or systems whose manufacture, use, or sale is prohibited under any applicable domestic or foreign laws or regulations. You shall comply with any applicable export control laws and regulations promulgated and administered by the governments of any countries asserting jurisdiction over the parties or transactions.
 - It is the responsibility of the buyer or distributor of Renesas Electronics products, or any other party who distributes, disposes of, or otherwise sells or transfers the product to a third party, to notify such third party in advance of the contents and conditions set forth in this document.
 - This document shall not be reprinted, reproduced or duplicated in any form, in whole or in part, without prior written consent of Renesas Electronics.
 - Please contact a Renesas Electronics sales office if you have any questions regarding the information contained in this document or Renesas Electronics products.
- (Note 1) "Renesas Electronics" as used in this document means Renesas Electronics Corporation and also includes its directly or indirectly controlled subsidiaries.
 (Note 2) "Renesas Electronics product(s)" means any product developed or manufactured by or for Renesas Electronics.

(Rev.5.0-1 October 2020)

SALES OFFICES

Refer to "http://www.renesas.com/" for the latest and detailed information.

Renesas Electronics Corporation

TOYOSU FORESIA, 3-2-24 Toyosu, Koto-ku, Tokyo 135-0061, Japan

Renesas Electronics America Inc. Milpitas Campus

1001 Murphy Ranch Road, Milpitas, CA 95035, U.S.A.

Tel: +1-408-432-8888, Fax: +1-408-434-5351

Renesas Electronics America Inc. San Jose Campus

6024 Silver Creek Valley Road, San Jose, CA 95138, USA

Tel: +1-408-284-8200, Fax: +1-408-284-2775

Renesas Electronics Canada Limited

9251 Yonge Street, Suite 8309 Richmond Hill, Ontario Canada L4C 9T3

Tel: +1-905-237-2004

Renesas Electronics Europe GmbH

Arcadiastrasse 10, 40472 Düsseldorf, Germany

Tel: +49-211-6503-0, Fax: +49-211-6503-1327

Renesas Electronics (China) Co., Ltd.

Room 101-T01, Floor 1, Building 7, Yard No. 7, 8th Street, Shangdi, Haidian District, Beijing 100085, China

Tel: +86-10-8235-1155, Fax: +86-10-8235-7679

Renesas Electronics (Shanghai) Co., Ltd.

Unit 301, Tower A, Central Towers, 555 Langa Road, Putuo District, Shanghai 200333, China

Tel: +86-21-2226-0888, Fax: +86-21-2226-0999

Renesas Electronics Hong Kong Limited

Unit 1601-1611, 16/F., Tower 2, Grand Century Place, 193 Prince Edward Road West, Mongkok, Kowloon, Hong Kong

Tel: +852-2265-6688, Fax: +852-2886-9022

Renesas Electronics Taiwan Co., Ltd.

13F, No. 363, Fu Shing North Road, Taipei 10543, Taiwan

Tel: +886-2-8175-9600, Fax: +886-2-8175-9670

Renesas Electronics Singapore Pte. Ltd.

80 Bendemeer Road, #06-02 Singapore 339949

Tel: +65-6213-0200, Fax: +65-6213-0300

Renesas Electronics Malaysia Sdn Bhd.

Unit No 3A-1 Level 3A Tower 8 UOA Business Park, No 1 Jalan Pengaturcara U1/51A, Seksyen U1, 40150 Shah Alam, Selangor, Malaysia

Tel: +60-3-5022-1288, Fax: +60-3-5022-1290

Renesas Electronics India Pvt. Ltd.

No.777C, 100 Feet Road, HAL 2nd Stage, Indiranagar, Bangalore 560 038, India

Tel: +91-90-67208700

Renesas Electronics Korea Co., Ltd.

17F, KAMCO Yangjae Tower, 262, Gangnam-daero, Gangnam-gu, Seoul, 06265 Korea

Tel: +82-2-558-3737, Fax: +82-2-558-5338