

Interface IP

FPD-Link Transmitter for TSMC 22nm ULP

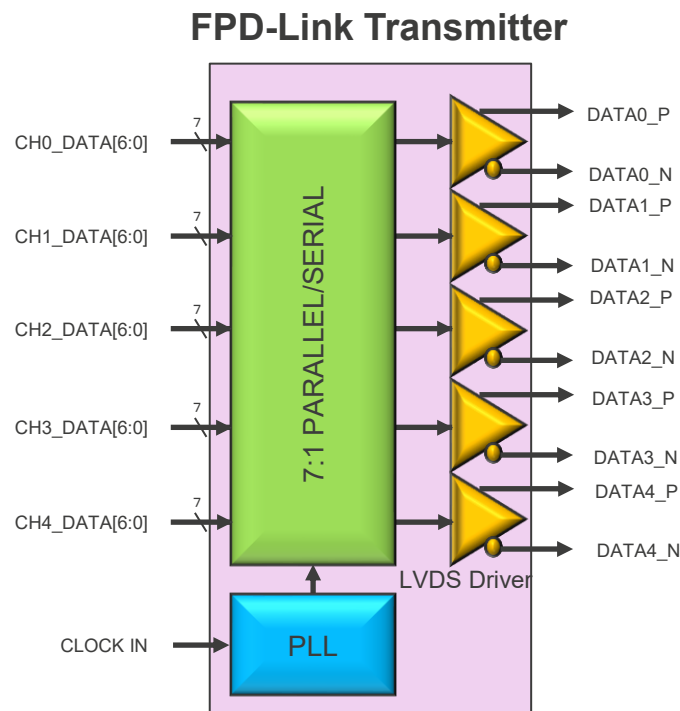
Overview

The Renesas FPD-Link Transmitter is useful 5 Channel LVDS Driver and 7:1 PARALLEL to SERIAL Converting of TSMC 22nm ULP process. This macro can be select CLOCK Channel.

Key Features

- Renesas FPD-Link Transmitter can be used for analog transmitter of following interface .
- ANSI/TIA/EIA-644
- Technology is TSMC 22nm ULP 1p10M.
- Supply voltage can be applied 0.9V for core voltage, 1.8V for IO voltage.
- With an input clock at 75MHz and input data at 75Mbps, the maximum transmission data rate of each channel is 525Mbps.

Block Diagram



*Before purchasing or using any Renesas Electronics products listed herein, please refer to the latest product manual and/or data sheet in advance.

CTPD-24-108
R06PF0066EJ0101