

# GREENPAK™ AND GREENFET IN MEDICAL APPLICATIONS

## A DIVE INTO CAPABILITIES

**GreenPAK** is a broad family ([HVPAK](#), [AnalogPAK](#), [other GreenPAKs](#)) of cost-effective non-volatile memory (NVM) configurable hardware devices which enables innovators to integrate many system functions while minimizing component count, board space, and power consumption. Using GreenPAK Designer software and GreenPAK Development Kit, designers can create and program a custom circuit in minutes.

**GreenFET** family of high-performance robust load switches are designed and optimized for all high-side power rail control applications from 0.25 V to 25.2 V where the load currents range from 1 A to 9 A. Using proprietary MOSFET design, all GreenFET load switches achieve ultra-stable  $R_{DS_{ON}}$  across wide input and supply voltage ranges.

### GreenPAK and GreenFET are suitable solutions for:

- ✓ Low Power Consumption and Small Form Factor
- ✓ Signal Processing
- ✓ Sensors and Actuators Integration
- ✓ Low Latency
- ✓ Security and Reliability
- ✓ Compatibility
- ✓ High-performance Low  $R_{DS_{ON}}$  nFET & pFET MOSFETs
- ✓ Internal Protection
- ✓ Active HIGH ON-OFF control
- ✓ Open-drain power good signaling

Download  
Go Configure™  
Software Hub

GreenPAK  
Application Notes

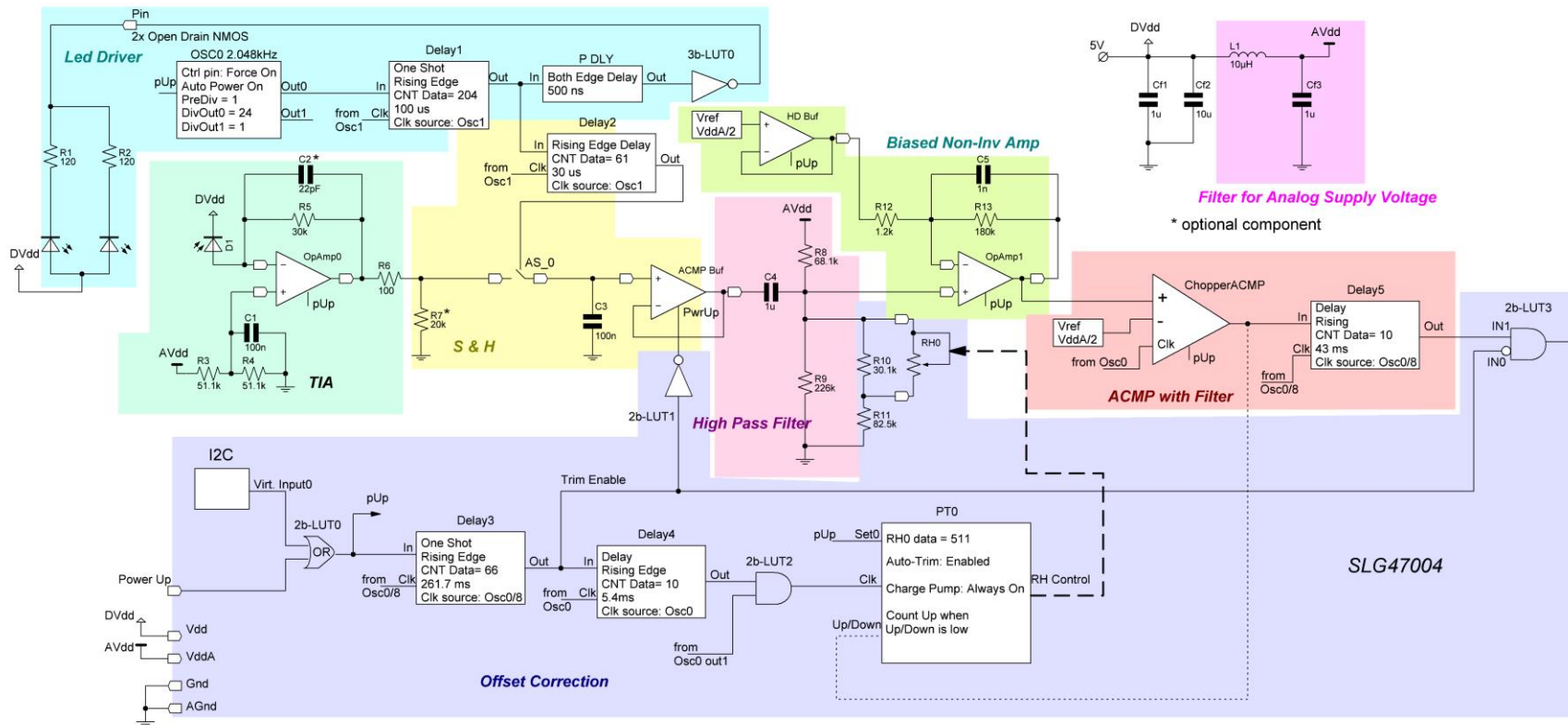
GreenFET  
Application Notes

White Paper: Medical  
Applications with  
Renesas GreenPAK  
and AnalogPAK

# ANALOGPAK™ IN MEDICAL APPLICATIONS

## ANALOG FRONT END FOR HEART RATE MONITOR

The circuit utilizes a commonly used technique of measuring the green light reflected from skin. A unique Auto-Trim feature of the **AnalogPAK SLG47004** allows achieving stable circuit operation in various conditions.



The circuit consists of:

- LED driver
- transimpedance amplifier (TIA)
- sample and hold circuit
- high pass filter
- offset correction circuit
- biased non-inverting amplifier
- analog comparator with digital filter
- analog power supply filter

Download  
Go  
Configure™  
Software Hub

Application  
Note:  
Analog Front  
End for Heart  
Rate Monitor

Datasheet  
SLG47004

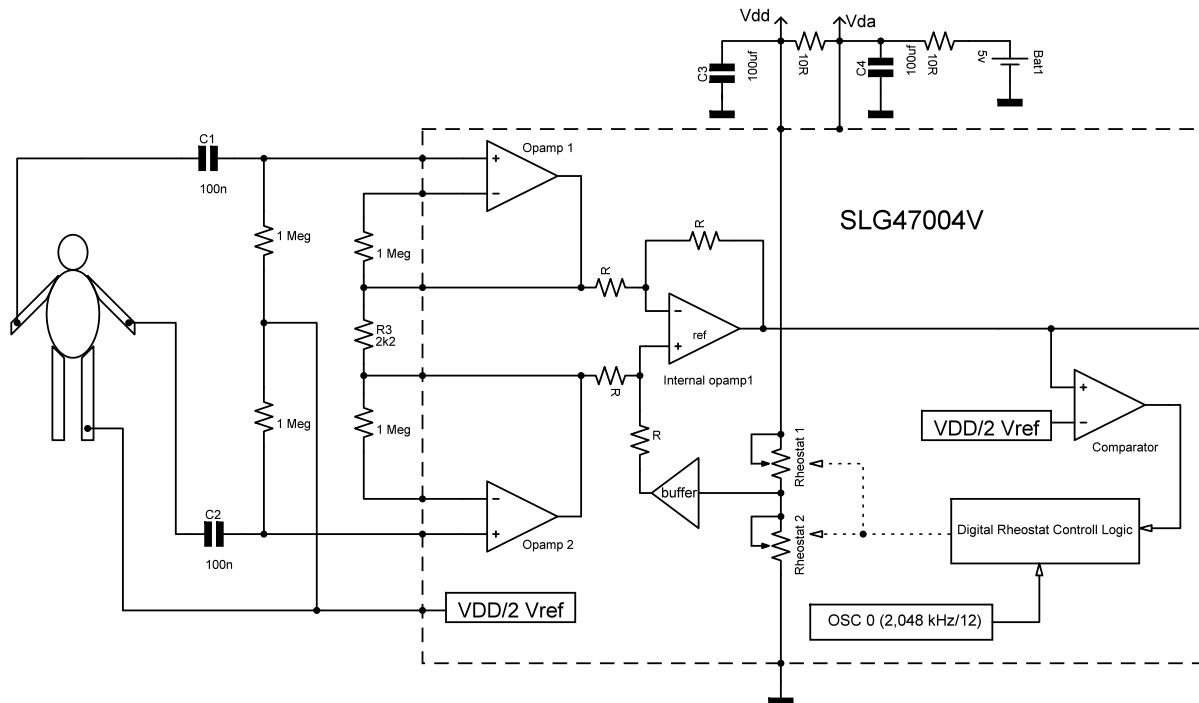
Design File

# ANALOGPAK IN MEDICAL APPLICATIONS

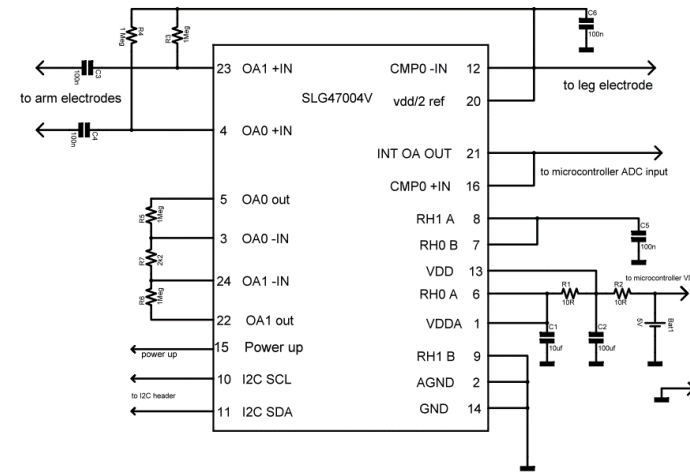
## ANALOG FRONT-END FOR ELECTROCARDIOGRAM MONITOR

The circuit utilizes the commonly used technique of measuring electrical heart activity using three electrodes applied to the arms and legs. These electrodes detect the small electrical signal that results from cardiac muscle contraction (the heartbeat). The unique auto-trim feature of the **AnalogPAK SLG47004** enables output signal level stabilization in conditions of interference and baseline drift.

### Structure of Electrocardiogram Analog Front-End



### Electrical Schematic of Analog Front-End



Download  
Go Configure™  
Software Hub

Application Note:  
Analog Front-End  
for  
Electrocardiogram  
Monitor

Design File


Datasheet  
SLG47004

# ANALOGPAK IN MEDICAL APPLICATIONS

## PH PROBE

The **AnalogPAK SLG47004** can perfectly cope with pH probe interfacing challenges. In this application, a 250 M $\Omega$  pH electrode is used. As a rule, operational amplifiers with a tiny bias current (about tens of femtoamperes or even less) are used as buffer amplifiers for such sensors. However, such precise amplifiers come at a price. The **SLG47004**'s unique Auto-Trim function allows to eliminate the offset error caused by bias current at a reasonable price.

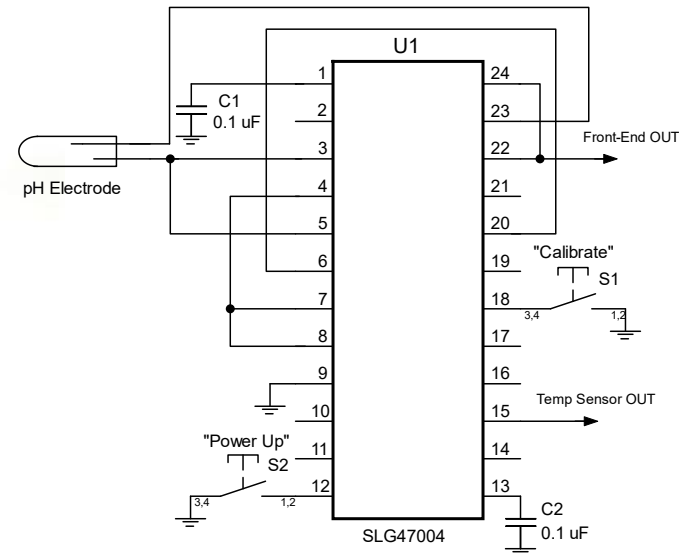
### AnalogPAK-based pH Probe benefits:

-  Small size
-  Cost-effective
-  Auto-trim function
-  Built-in temperature sensor
-  In-system programmability

pH Electrode



### General Schematic of Analog Front-End for pH Probe Based on SLG47004



Download  
Go Configure™  
Software Hub

Application Note:  
Analog Front-End  
for pH Probe

Design File

Datasheet  
SLG47004

# GREENPAK IN MEDICAL APPLICATIONS

## GLUCOSE SENSOR AND MONITOR

The **GreenPAK [SLG46580V](#)** and **[SLG88104V](#)** are used to develop a custom glucometer. The design uses the analog voltage signal generated by a blood drop on a customized Glucometer strip to measure glucose levels. The signal is amplified and fed into a GreenPAK SLG46580V IC. The GreenPAK decodes the voltage signal and compares it with preset thresholds to determine the glucose level.

The glucometer blood test strip used in this design is a typical one available on the market. The GreenPAK design can be easily modified to adjust the threshold levels of different glucose ranges. Reset and Start functions are included to make the design more reliable.

### GreenPAK-based Glucometer benefits:



Small size



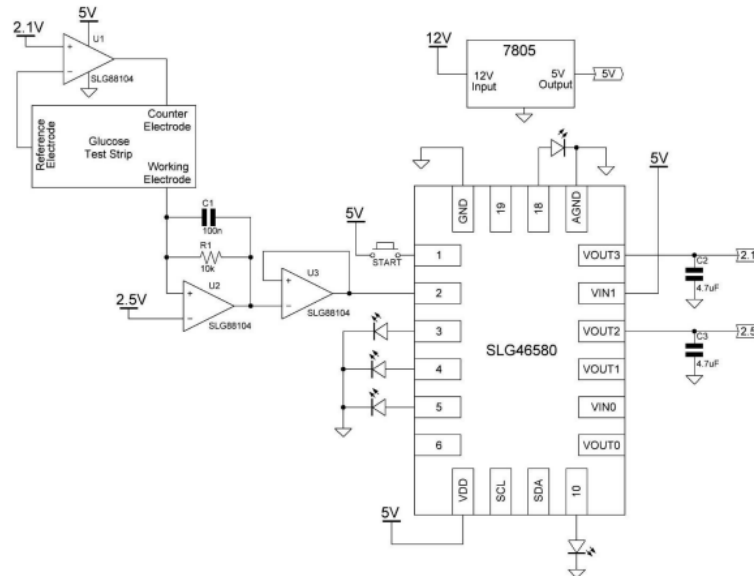
Cost-effective



Energy efficient



Could be easily modified for patients with Type-1 or Type-2 diabetes



Download  
Go Configure™  
Software Hub

Datasheet  
SLG88104

Application Note:  
Customized  
Glucometer using  
GreenPAK

Datasheet  
SLG46580

Design File

Winning Combo:  
Continuous Glucose  
Monitoring (CGM)  
for Closed Loop  
Operation with  
Insulin Pump

# GREENPAK IN MEDICAL APPLICATIONS

## SUNTAN MONITOR

The **GreenPAK SLG47513** is used to implement a suntan monitor to control ultraviolet radiation and prevent its negative effect. Its main feature is a low operation voltage (from 1.0 V to 1.65 V) that allows to power a project from a 1.5 V battery or even a solar cell. Furthermore, the measured current consumption of the device is maximum 30  $\mu\text{A}$ , which ensures the long-term operation from the battery.

### GreenPAK-based Suntan Monitor benefits:



Small size



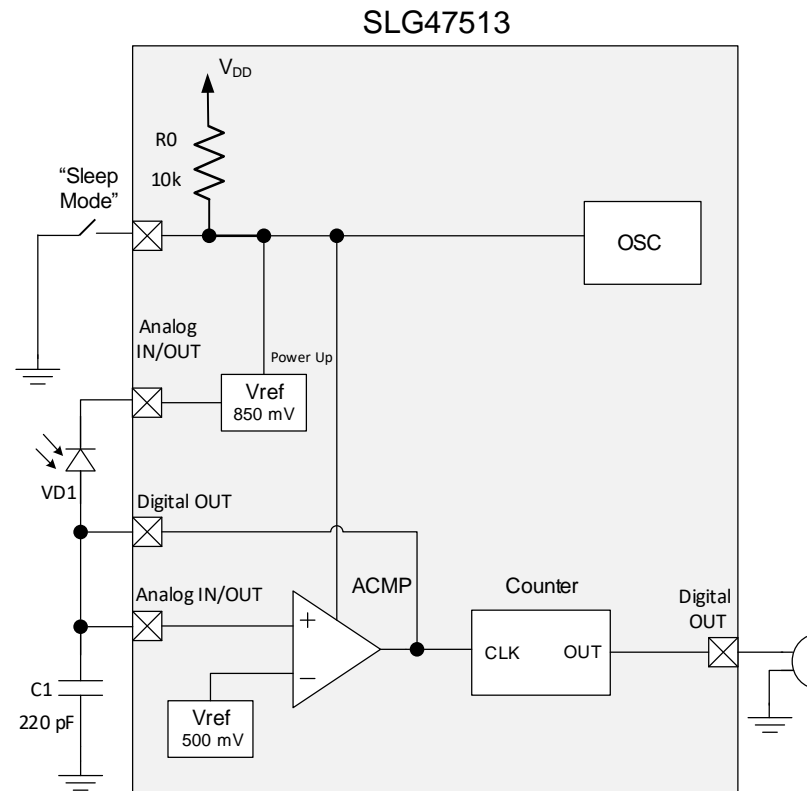
Cost-effective



Energy efficient



Operates with a 1.5 V battery or a solar cell



Download  
Go Configure™  
Software Hub

Application Note:  
Suntan Monitor

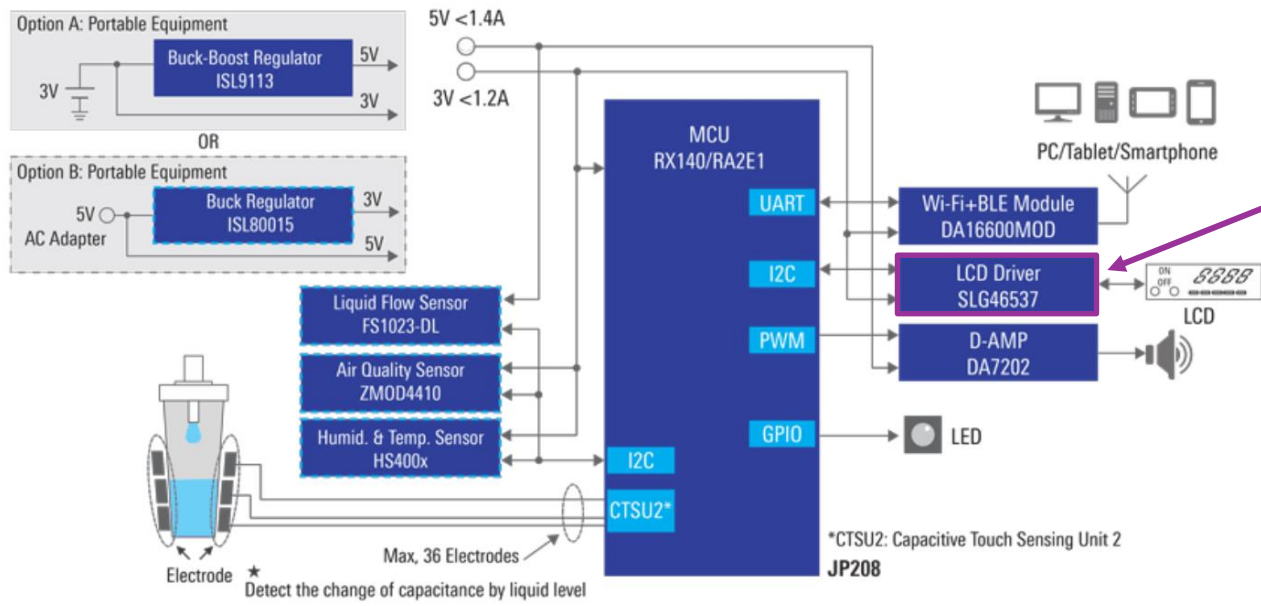
Design File

Datasheet  
SLG47513

# GREENPAK IN MEDICAL APPLICATIONS

## INFUSION LEVEL MONITOR USING CAPACITIVE TOUCH SENSING

The **GreenPAK SLG46537** provides a small, low power component for commonly used mixed-signal functions. The user creates their circuit design by programming the one-time Non-Volatile Memory (NVM) to configure the interconnect logic, the I/O Pins and the macro cells of the SLG46537V/M. This highly versatile device allows a wide variety of mixed-signal functions to be designed within a very small, low power single integrated circuit.



SLG46537

**GreenPAK System Benefits:**

- I2C-controlled LCD driver
- Low current consumption

Datasheet  
SLG46537

GreenPAK  
Application Notes

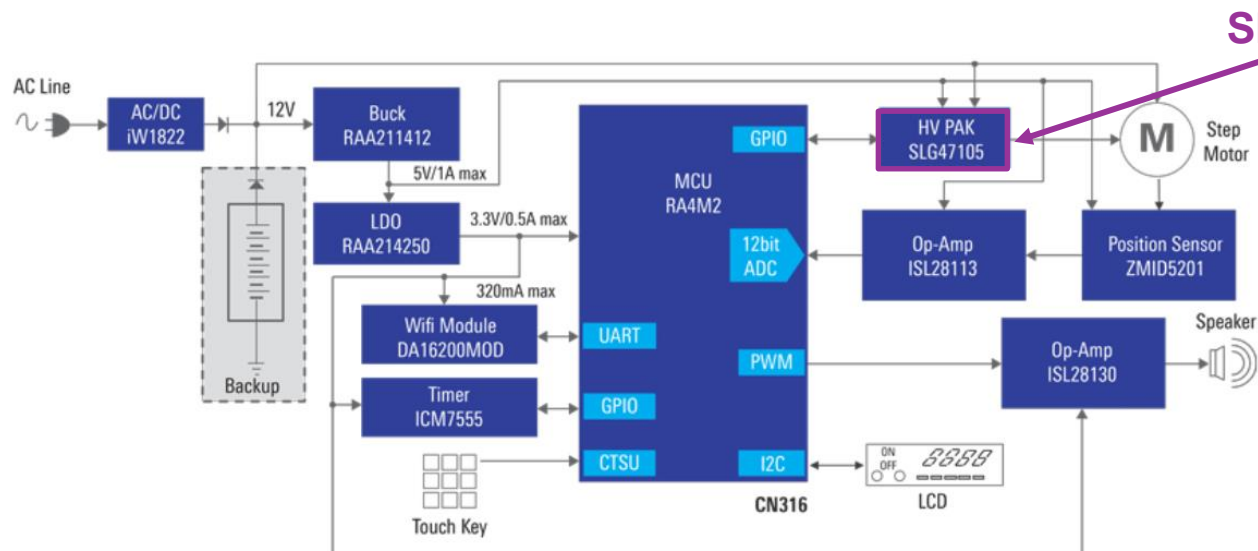
Winning Combo:  
Infusion Level  
Monitor Using  
Capacitive Touch  
Sensing

# HVPAK™ IN MEDICAL APPLICATIONS

## INFUSION PUMP

The **HVPAK (up to 26.4 V and 3 A per OUT)** takes its roots from the **GreenPAK family** featuring its configurability and free GUI-based **software** to design the circuit without any programming language needed. It combines mixed-signal logic and **high-voltage H-/Half-bridge** functionality in **a tiny 2 mm x 3 mm QFN package**.

The HVPAK incorporates advanced PWM macrocells, enabling the simultaneous control of multiple motors with varying PWM frequencies and duty cycles. Its compact size and low idle current consumption make it highly versatile, expanding its range of potential applications. This tiny and thermally-efficient IC provides an ideal platform for designing mixed-signal functions alongside its high-voltage capabilities.



SLG47105

### HVPAK System Benefits:

- Ability to meet exact customer requirements
- Highly configurable
- Works as a standalone device
- Custom protections
- Current limit – motor/shaft stuck protection

Datasheet  
SLG47105

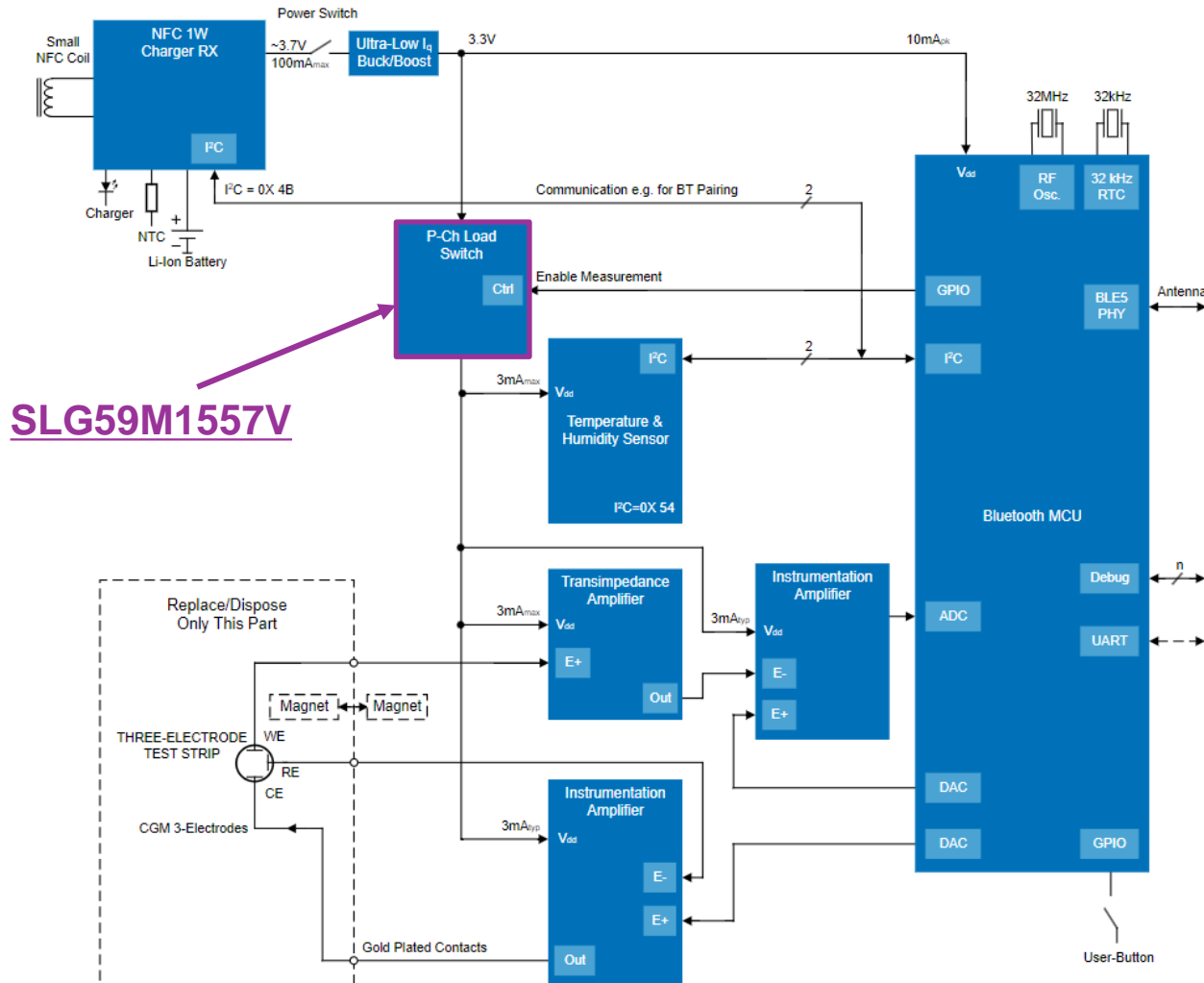
HVPAK  
Application Notes

Winning Combo:  
Infusion Pump



# GREENFET IN MEDICAL APPLICATIONS

## CONTINUOUS GLUCOSE MONITORING (CGM) FOR CLOSED LOOP OPERATION WITH INSULIN PUMP



**SLG59M1557V**

The **GreenFET SLG59M1557V** is designed for load switching applications with ultra low quiescent current. The part comes with one 28.5 mΩ, 1.0 A rated P-channel MOSFET controlled by a single ON control pin.

The product is packaged in an ultra-small 1.0 mm x 1.0 mm package.

### GreenFET System Benefits:

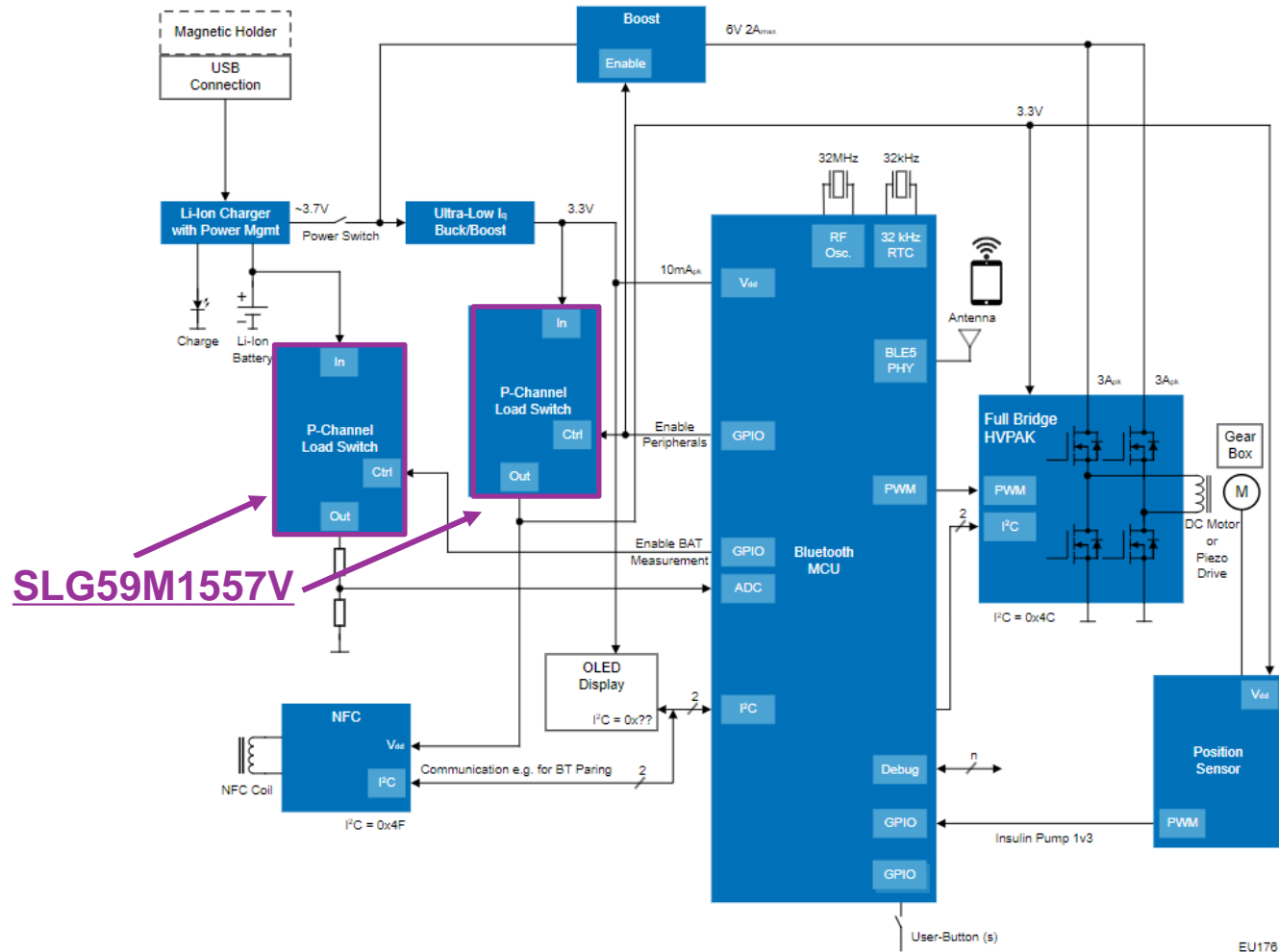
- Helps monitoring the battery voltage and save energy

Datasheet  
SLG59M1557V

Winning Combo:  
CGM for Closed  
Loop Operation with  
Insulin Pump

# GREENFET IN MEDICAL APPLICATIONS

## INSULIN PUMP WITH CLOSED LOOP OPERATION FOR CONTINUOUS GLUCOSE MONITORING (CGM)



The **GreenFET SLG59M1557V** is designed for load switching applications with ultra low quiescent current. The part comes with one 28.5 mΩ, 1.0 A rated P-channel MOSFET controlled by a single ON control pin.

The product is packaged in an ultra-small 1.0 mm x 1.0 mm package.

### GreenFET System Benefits:

- Helps to extend battery life by disabling peripherals when not used
- Helps monitoring the battery voltage and save energy

Datasheet  
SLG59M1557V

Winning Combo:  
Insulin Pump with  
Closed Loop  
Operation for  
Continuous Glucose  
Monitoring

# GREENPAK™ AND GREENFET IN MEDICAL APPLICATIONS

## UNIQUE FUNCTIONS & FEATURES ALL-IN-ONE PACKAGE

Renesas **GreenPAK** devices are useful resources for innovative developments in medical applications. They integrate highly configurable analog and digital components in their different variants, where analog comparators (ACMPs), operational amplifiers (OPAMPs), PWM modules, rheostats, Look-Up tables (LUTs), clocks, counter/delays, DFFs, Asynchronous State Machines (ASM) etc. can be applied.

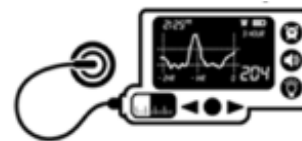
### Analog

- Analog switch
- Battery charge indicator
- Comparators
- Current sense/limiter
- LDOs
- Low voltage indicator
- Logic (Mux, gates, etc.)
- OpAmp
- Over-temp detection
- Potentiometer
- Rheostat
- Voltage level detection
- Wake/sleep function
- and More



### Digital

- Control
- Deserialization/serialization
- Frequency detection
- Frequency divider
- GPIOs (6-28)
- H-/Half-Bridge
- I2C expansion
- Interrupt
- LED driving/pattern
- Level shifting
- Motor driving
- Pattern generator
- PWM generation
- Sequencer
- SPI or I2C Communication
- System reset
- Watchdog timer
- and More



PFAS-free parts are available

Download  
Go Configure™  
Software Hub

GreenPAK  
Application Notes

GreenFET  
Application Notes

White Paper: Medical  
Applications with  
Renesas GreenPAK  
and AnalogPAK