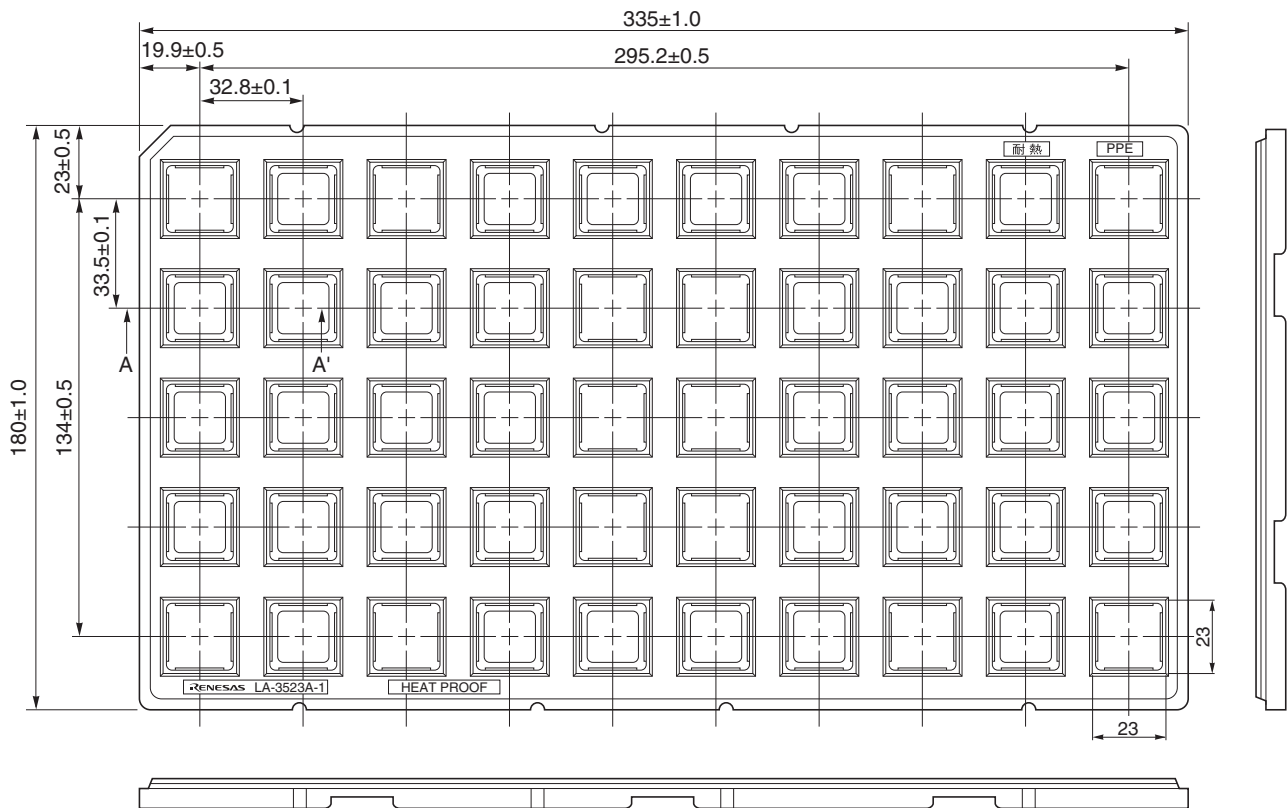
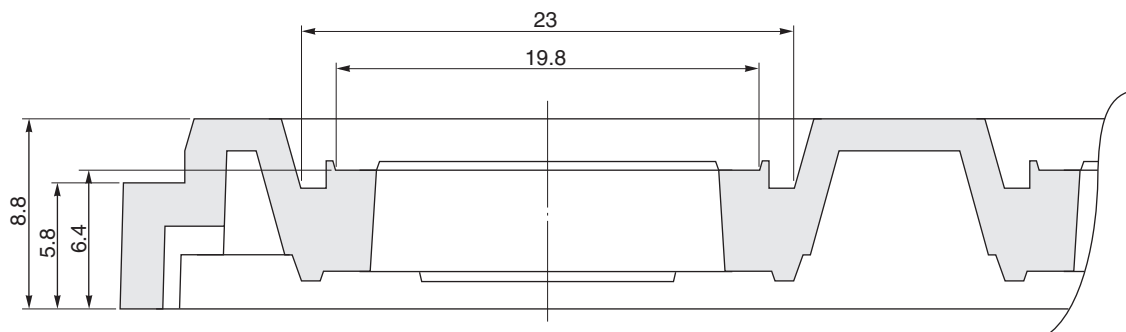


TRAY CONTAINER

UNIT : mm



< SECTION A - A' >



Applied Package	Quantity (pcs)
144-pin · Plastic QFP(Fine Pitch)(1.4mm thick)	MAX. 50
176-pin · Plastic QFP(Fine Pitch)(1.4mm thick)	

Tray	LA-3523A-1
Material	Carbon PPE
Heat Proof Temp.	135°C
Surface resistance	less than $1 \times 10^6 \Omega / \square$