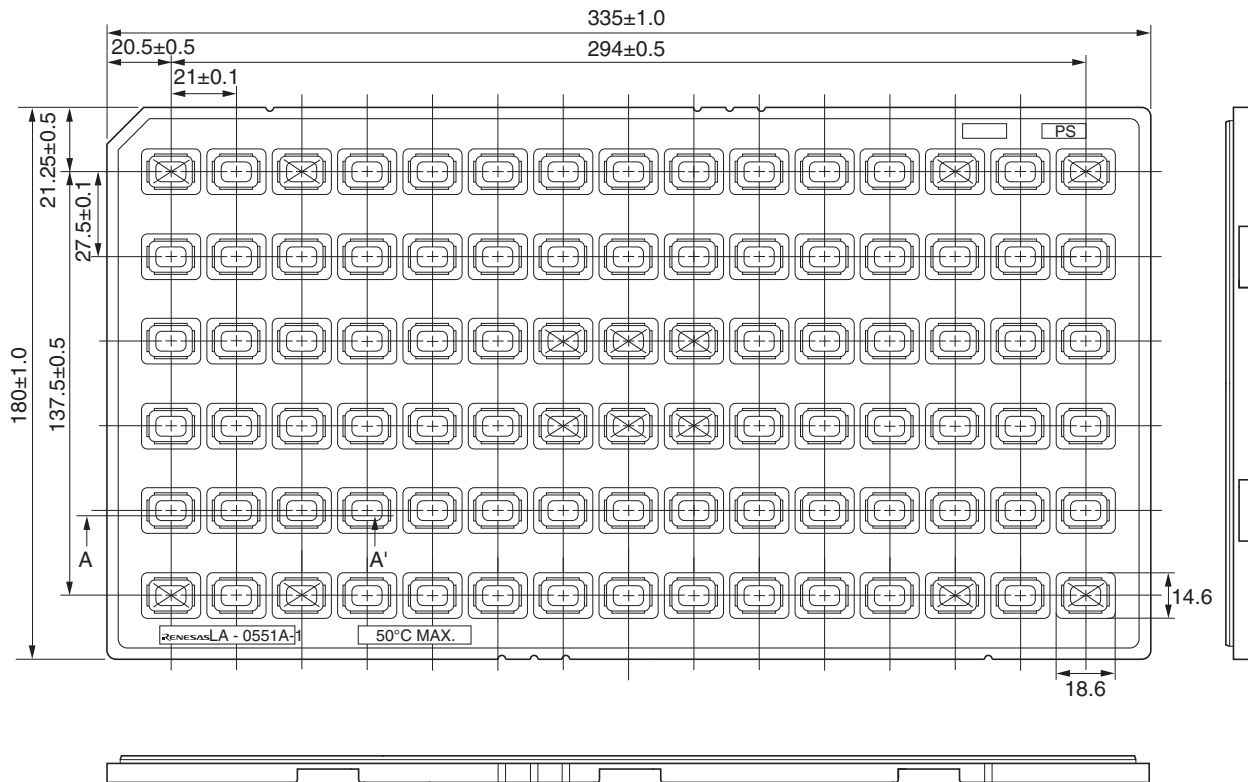
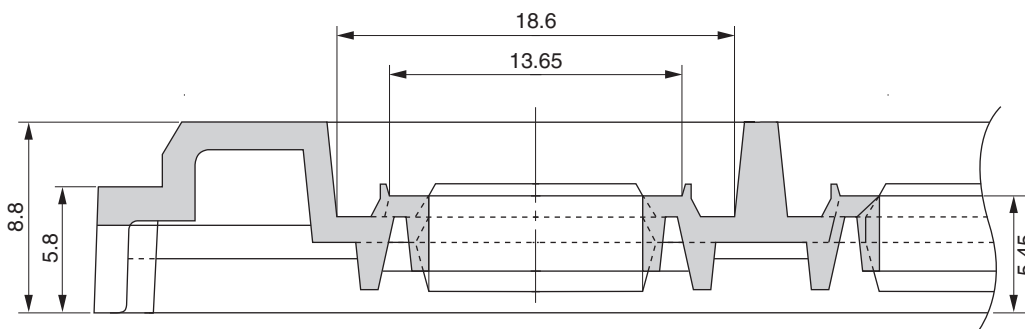


TRAY CONTAINER

Unit : mm



< SECTION A – A' >



Applied Package	Quantity (pcs)
56-pin Plastic QFP (2.7mm thick)	MAX. 90

Tray	LA-0551A-1
Material	Carbon PS
Heat Proof Temp.	50°C
Surface resistance	less than $1 \times 10^6 \Omega / \square$