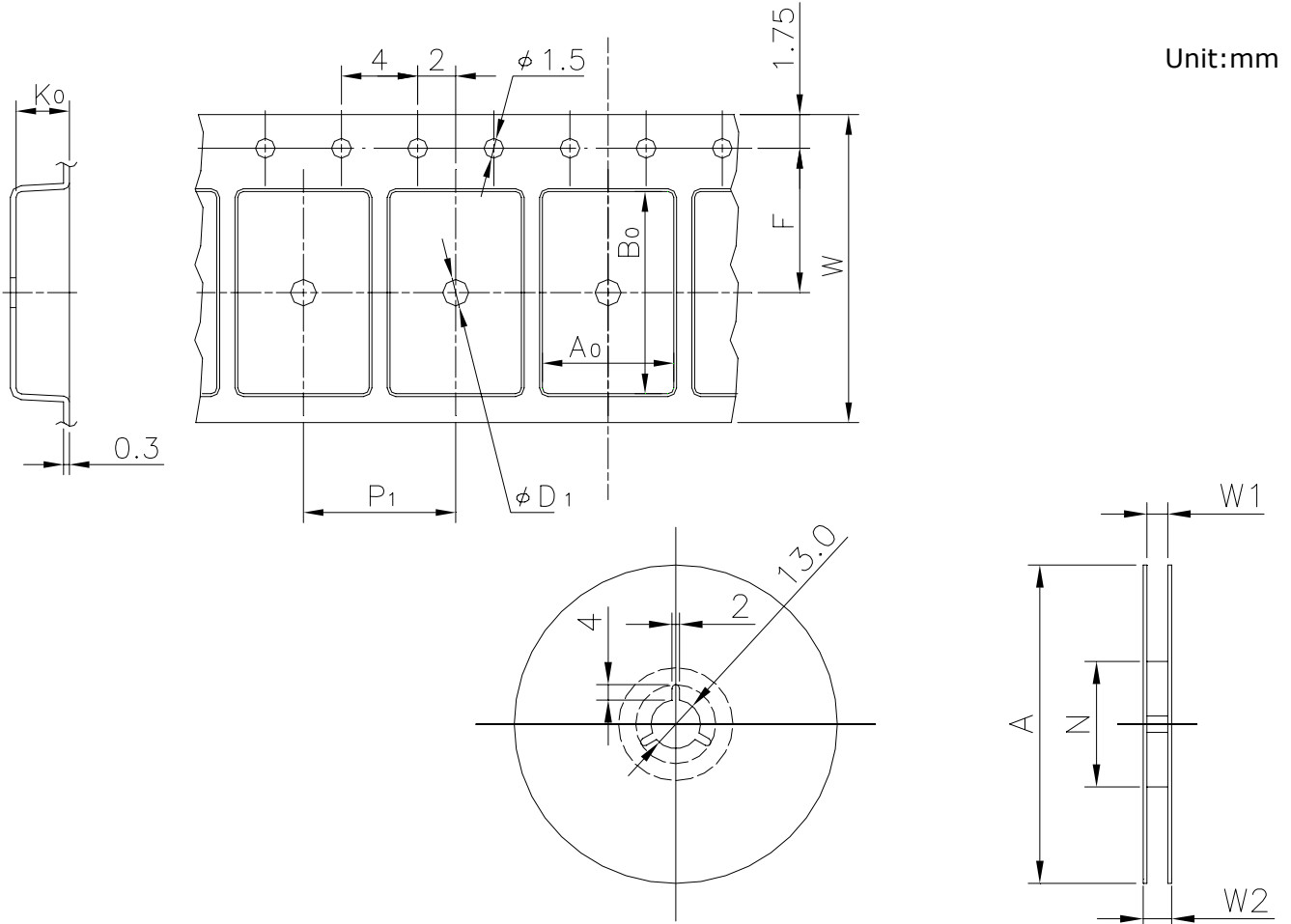


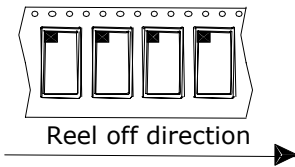
EMBOSSED TAPE

Taping Code	RENESAS Code	Previous Code
TE2420-10P	PRSP0020DE-A	FP-20DT / FP-20DTV
	PRSP0020DF-A	—
	PRSP0036JA-A	FP-36DT / FP-36DTV
	PRSP0036JC-A	—

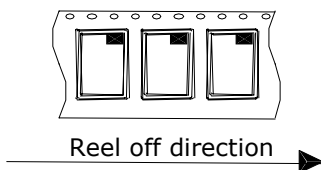


Standard Orientation of Package

The pin 1 is located in the hatching portion.



The pin 1 may also be located in the following portion for reverse bent packages and some QFPs.



Tape Dimensions (mm)	W	24
	P_1	20
	A_0	14.6
	B_0	16.3
	K_0	4.05
	F	11.5
	D_1	2.0
Reel Dimensions (mm)	A	330
	N	100
	W_1	25.4
	W_2	29.4
Maximum storage No. IC/Reel		700
Material		Carbon PS
Surface resistance		Less than $1 \times 10^{11} \Omega / \square$
Packing form		Dry pack