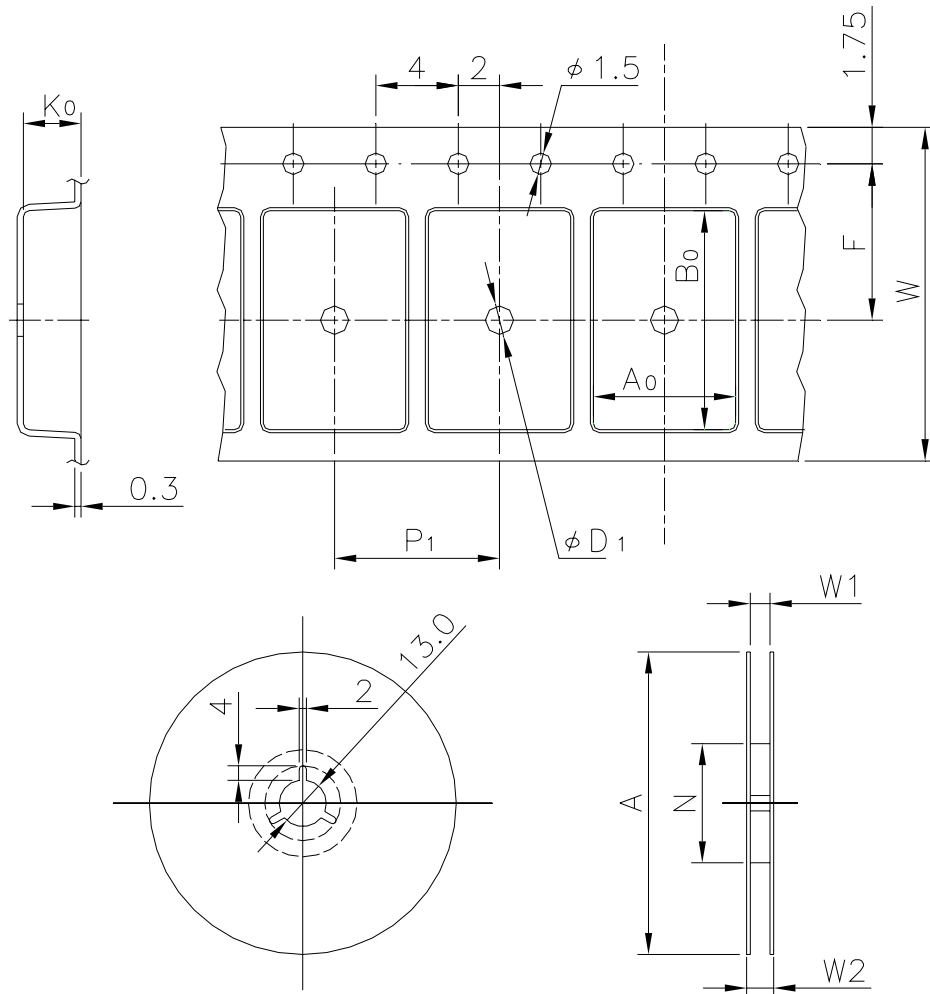


# EMBOSSED TAPE

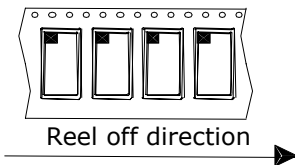
Taping Code	RENESAS Code	Previous Code
MTE1612H-48PFW-A	PTQP0048KB-A	48PFW-A



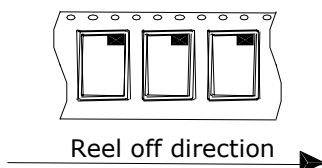
Unit:mm

## Standard Orientation of Package

The pin 1 is located in the hatching portion.



The pin 1 may also be located in the following portion for reverse bent packages and some QFPs.



Tape Dimensions (mm)	W	16
	$P_1$	12
	$A_0$	10
	$B_0$	10
	$K_0$	1.2
	F	7.5
	$D_1$	1.5
Reel Dimensions (mm)	A	330
	N	100
	$W_1$	17.4
	$W_2$	21.4
Maximum storage No. IC/Reel		2500
Material		Carbon PS
Surface resistance		Less than $1 \times 10^{11} \Omega / \square$
Packing form		Dry pack