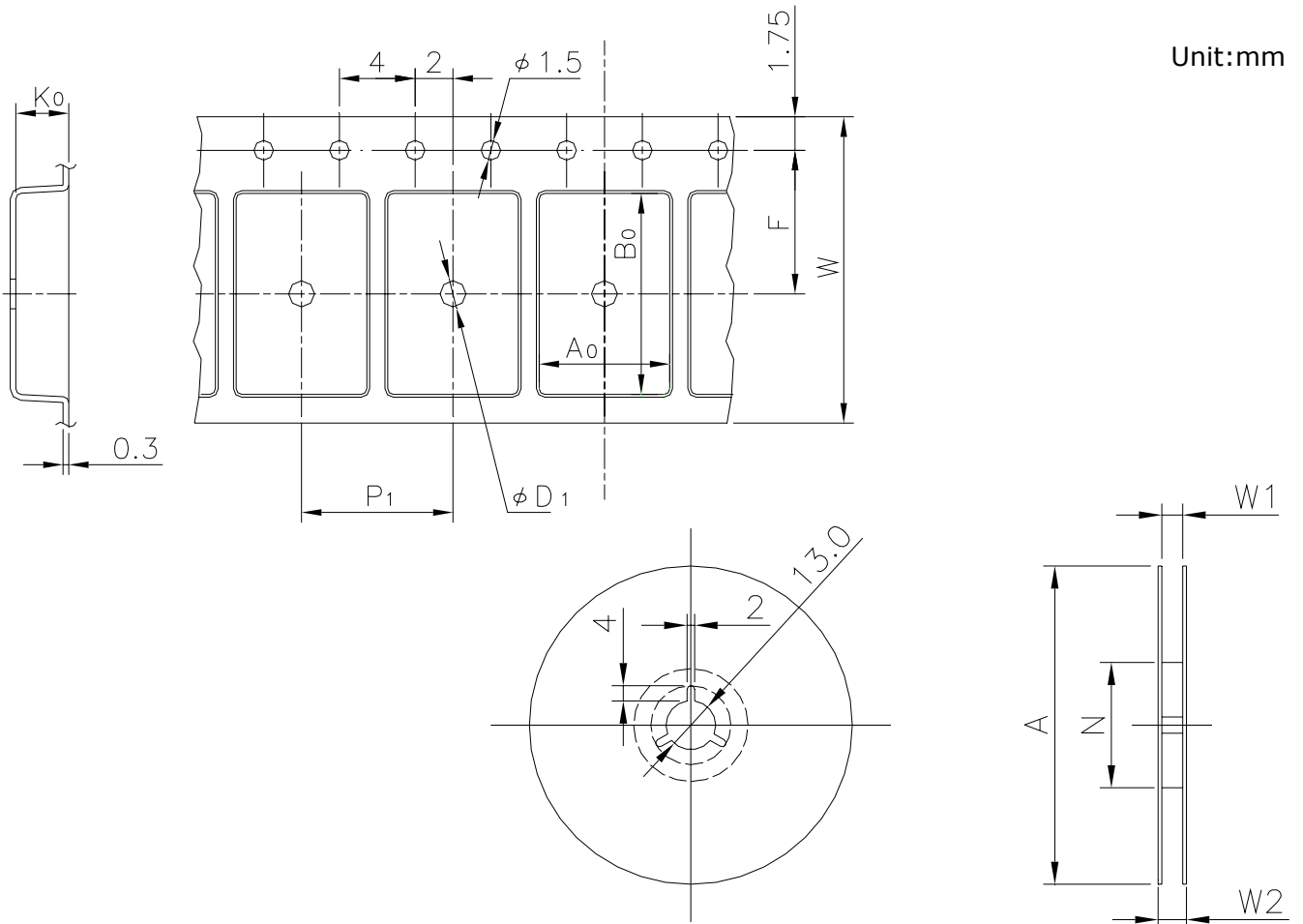


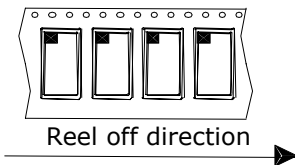
EMBOSSED TAPE

Taping Code	RENESAS Code	Previous Code
TE1208-21P	PVQN0040KC-A	—
	PVQN0040KD-A	—
	PVQN0040KE-A	—

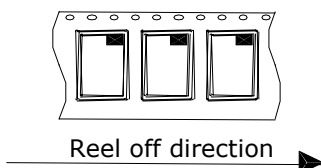


Standard Orientation of Package

The pin 1 is located in the hatching portion.



The pin 1 may also be located in the following portion for reverse bent packages and some QFPs.



Tape Dimensions (mm)	W	12
	P_1	8
	A_0	6.3
	B_0	6.3
	K_0	1.15
	F	5.5
	D_1	1.6
Reel Dimensions (mm)	A	330
	N	100
	W1	13.4
	W2	17.4
Maximum storage No. IC/Reel		2500
Material		Carbon PS
Surface resistance		Less than $1 \times 10^{11} \Omega / \square$
Packing form		Dry pack