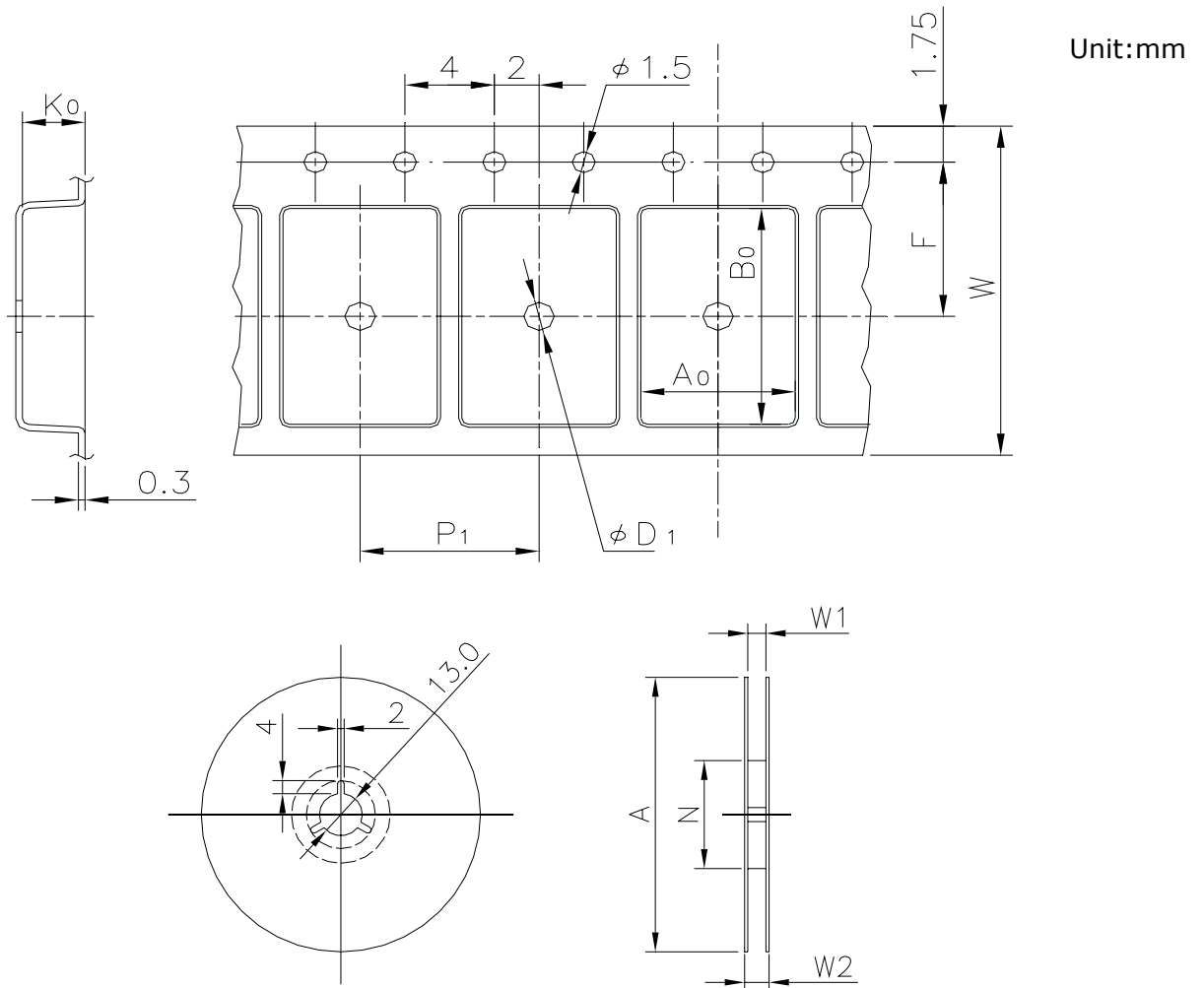


EMBOSSED TAPE

Taping Code	RENESAS Code	Previous Code
TE0804-58P	PWSN0008KA-A	—



Tape Dimensions (mm)	W	8.0
	P_1	4.0
	A_0	2.33
	B_0	2.33
	K_0	1.14
	F	3.5
	D_1	1.0
Reel Dimensions (mm)	A	330
	N	100
	W1	9.4
	W2	13.4
Maximum storage No. Transistor/Reel		5000
Material		Carbon PS
Surface resistance		Less than $1 \times 10^{11} \Omega/\square$
Packing form		Non dry pack