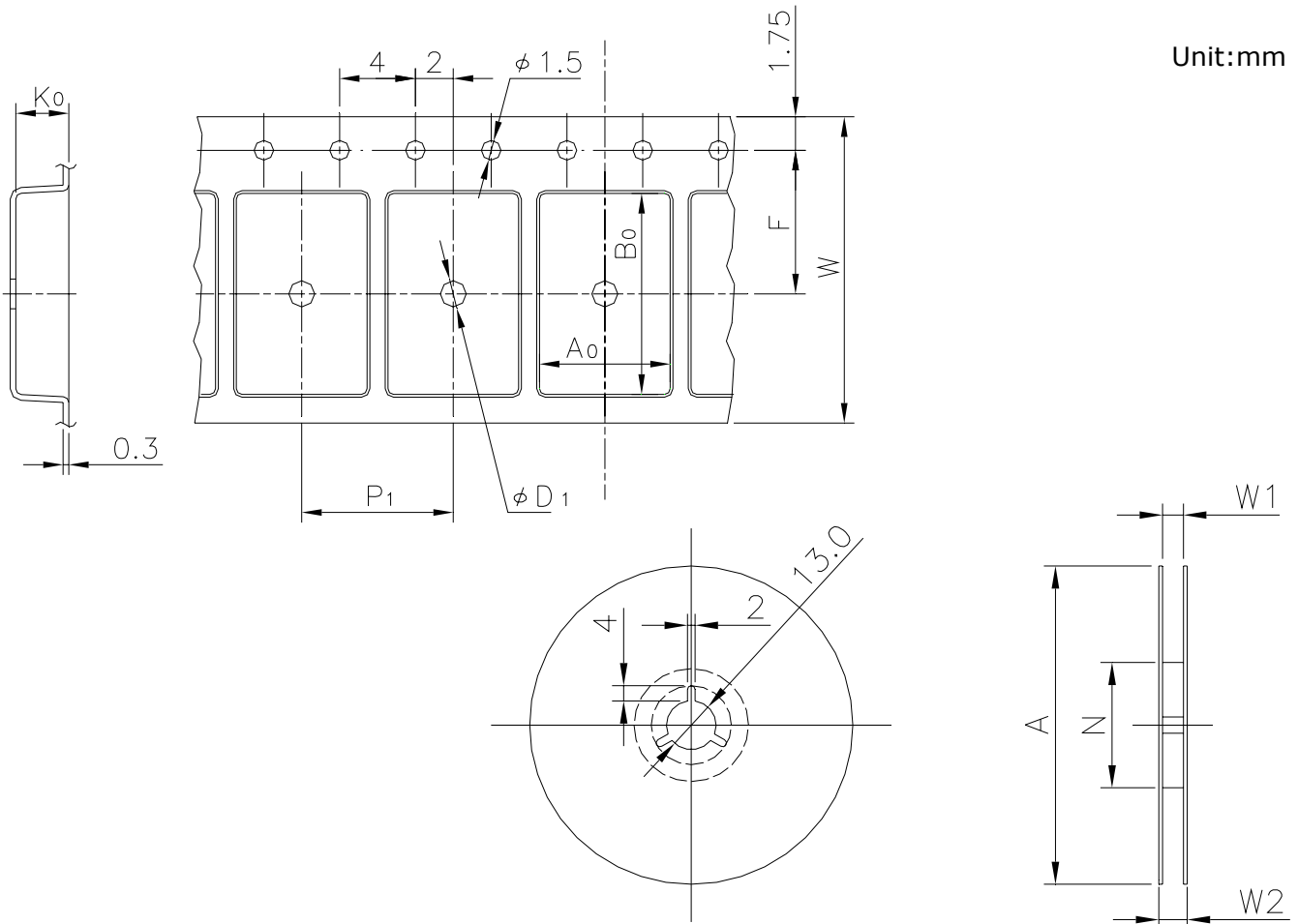


# EMBOSSED TAPE

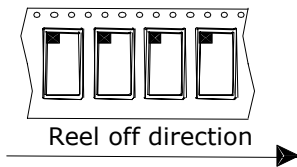
Taping Code	RENESAS Code	Previous Code
MTE1208H-28PJW-A	PWQN0028KA-A	28PJW-A
	PWQN0028KA-B	28PJW-B
	PWQN0040LD-A	40PJR-A
	PXQN0040LA-A	—

Unit:mm

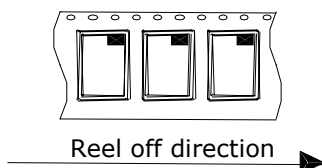


## Standard Orientation of Package

The pin 1 is located in the hatching portion.



The pin 1 may also be located in the following portion for reverse bent packages and some QFPs.



Tape Dimensions (mm)	W	12
	$P_1$	8
	$A_0$	5.5
	$B_0$	5.5
	$K_0$	1
	F	5.5
	$D_1$	1.5
Reel Dimensions (mm)	A	330
	N	100
	W1	13.4
	W2	17.4
Maximum storage No. IC/Reel		5000
Material		Carbon PS
Surface resistance		Less than $1 \times 10^{11} \Omega / \square$
Packing form		Dry pack