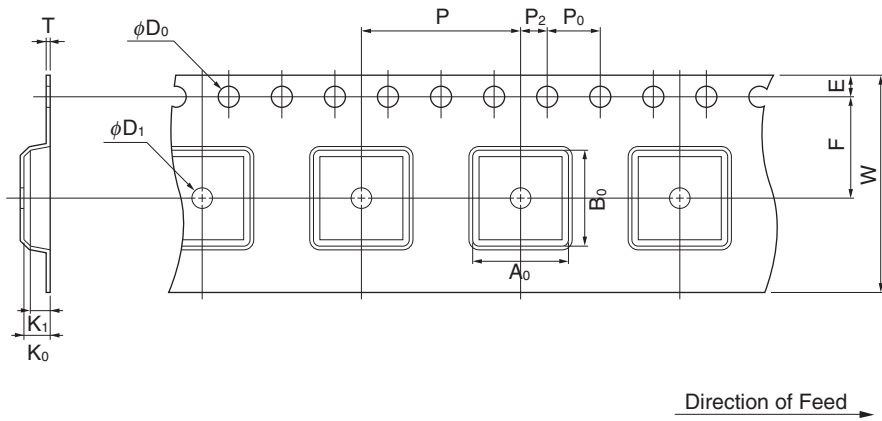


EMBOSS TAPE CONTAINER

Tape Dimensions

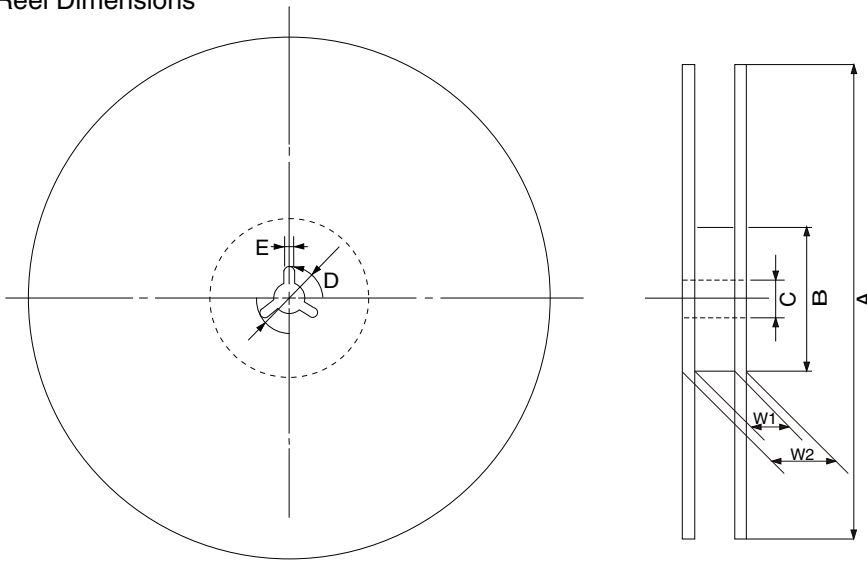
(Unit : mm)



Symbol	Specification
A ₀	9.4
B ₀	9.4
K ₀	2.25
K ₁	1.6
W	16.0±0.3
F	7.5±0.1
E	1.75±0.1
P	12.0±0.1
P ₂	2.0±0.1
P ₀	4.0±0.1
D ₀	1.5 ^{+0.1} ₋₀
T	0.3
D ₁	1.5 MIN.

Reel Dimensions

(Unit: mm)



Symbol	Specification
A	φ 330±2.0
B	φ 100
C	φ 13.0±0.2
D	φ 21.0±0.8
E	2.0±0.5
W ₁	17.5
W ₂	21.5

Applied Package	Quantity (pcs)
80-pin Plastic FLGA/FBGA (9x9)	1,000 MAX.
129-pin Plastic FBGA (9x9)	