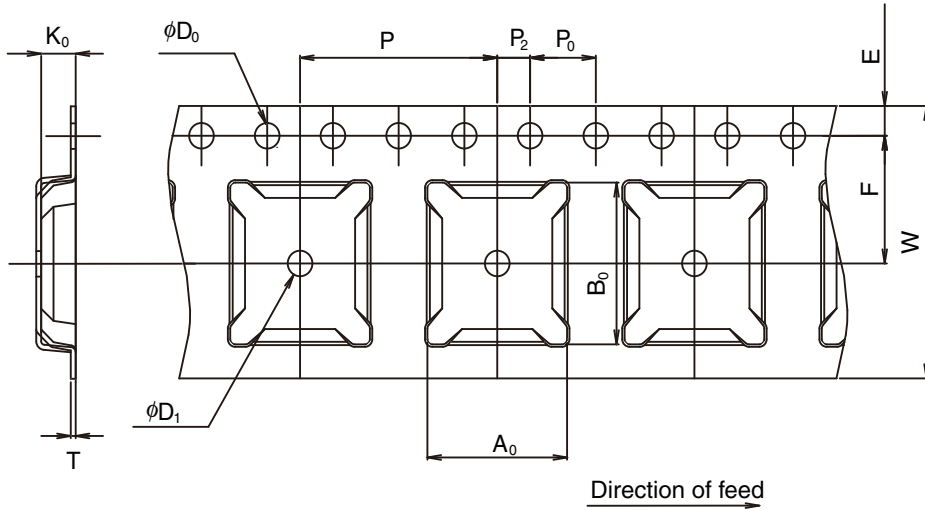


EMBOSSED TAPE CONTAINER

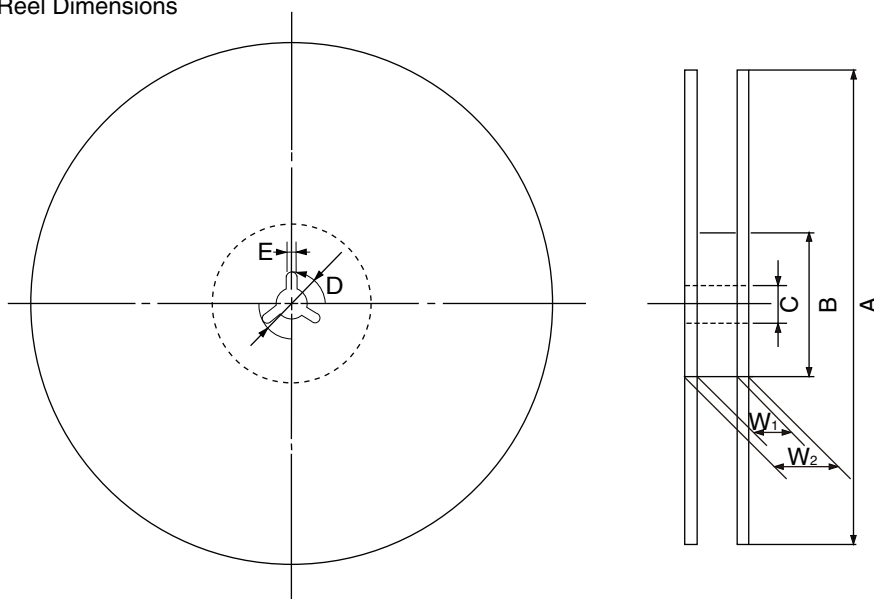
Tape Dimensions



(Unit:mm)

Symbol	Specification
A_0	8.5
B_0	9.5
K_0	2.10 ± 0.1
W	$16.00^{+0.3}_{-0.1}$
F	7.50 ± 0.1
E	1.75 ± 0.1
P	12.00 ± 0.1
P_2	2.00 ± 0.1
P_0	4.00 ± 0.1
D_0	$1.50^{+0.1}_0$
T	0.3 ± 0.05
D_1	$1.50^{+0.1}_0$

Reel Dimensions



(Unit:mm)

Symbol	Specification
A	$\phi 330 \pm 2.0$
B	$\phi 100$
C	$\phi 13.0 \pm 0.2$
D	$\phi 21.0 \pm 0.8$
E	2.0 ± 0.5
W_1	17.5
W_2	21.5

Applied Package	Quantity(pcs)
177-pin Plastic FBGA(9x8)	1,000 MAX.
208-pin Plastic FBGA(9x8)	2,000 MAX.