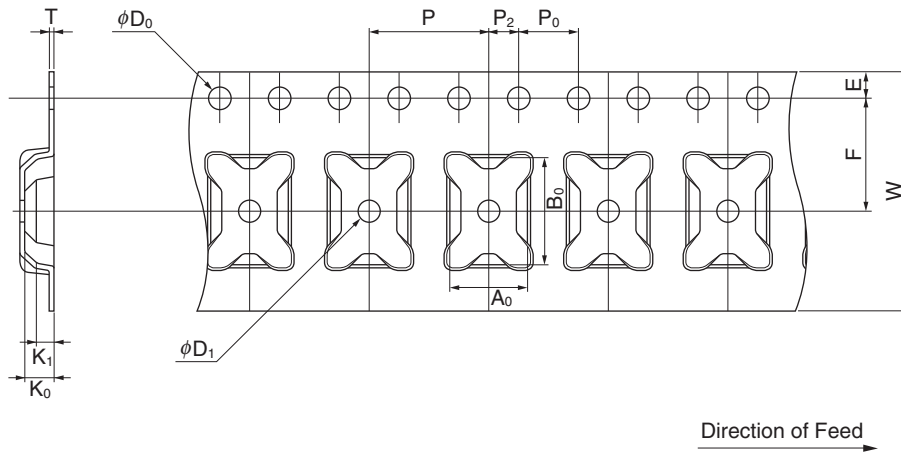


# EMBOSS TAPE CONTAINER

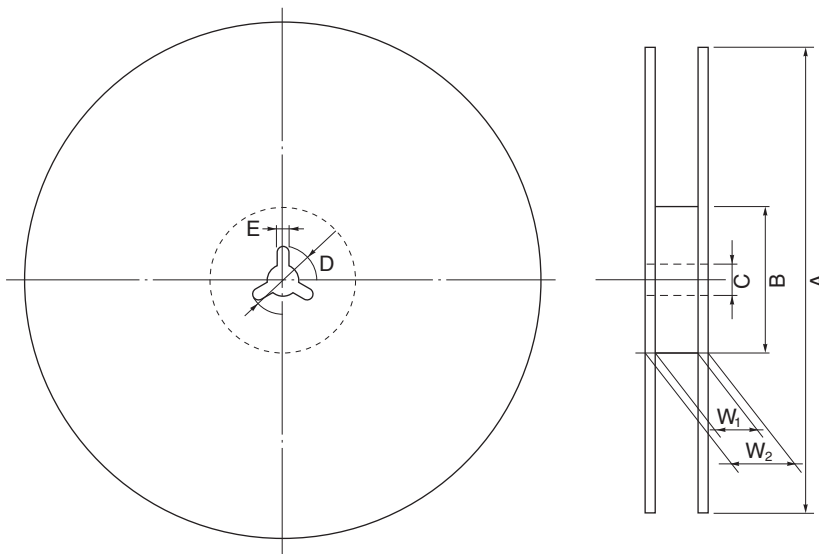
## Tape Dimensions



(Unit: mm)

Symbol	Specification
$A_0$	5.2
$B_0$	7.2
$K_0$	1.90
$K_1$	1.15
$W$	16.0±0.3
$F$	7.5±0.1
$E$	1.75±0.1
$P$	8.0±0.1
$P_2$	2.0±0.1
$P_0$	4.0±0.1
$D_0$	1.5 <sup>+0.1</sup> <sub>0</sub>
$T$	0.3
$D_1$	1.5 MIN.

## Reel Dimensions



(Unit: mm)

Symbol	Specification
$A$	$\phi 180^{+0}$ <sub>-3</sub>
$B$	$\phi 60$
$C$	$\phi 13.0 \pm 0.2$
$D$	$\phi 21.0 \pm 0.8$
$E$	2.0±0.5
$W_1$	17.0
$W_2$	19.4±0.5

Applied Package	Quantity (pcs)
96-pin Plastic FBGA (7x5)	1,000 MAX.