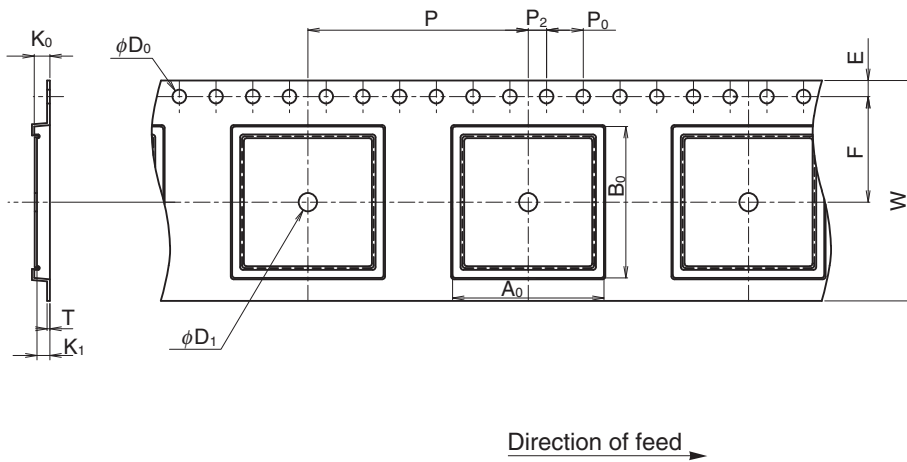


EMBOSSED TAPE CONTAINER

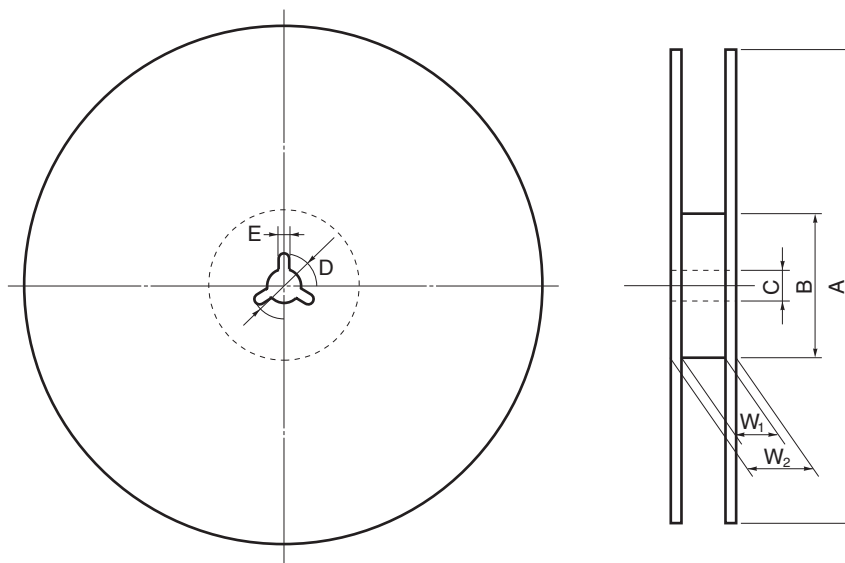
Tape Dimensions



(Unit:mm)

Symbol	Specification
A_0	16.5
B_0	16.5
K_0	1.7
K_1	1.40
W	24.0 ± 0.3
F	11.5 ± 0.1
E	1.75 ± 0.1
P	24.0 ± 0.1
P_2	2.0 ± 0.1
P_0	4.0 ± 0.1
D_0	$1.5^{+0.1}_0$
T	0.3
D_1	2.0MIN.

Reel Dimensions



(Unit:mm)

Symbol	Specification
A	$\phi 330 \pm 2.0$
B	$\phi 100$
C	$\phi 13.0 \pm 0.2$
D	$\phi 21.0 \pm 0.8$
E	2.0 ± 0.5
W_1	25.5
W_2	29.5 ± 1.0

Applied Package	Quantity (pcs)
100-pin Plastic LQFP(14x14)	1,000 MAX.