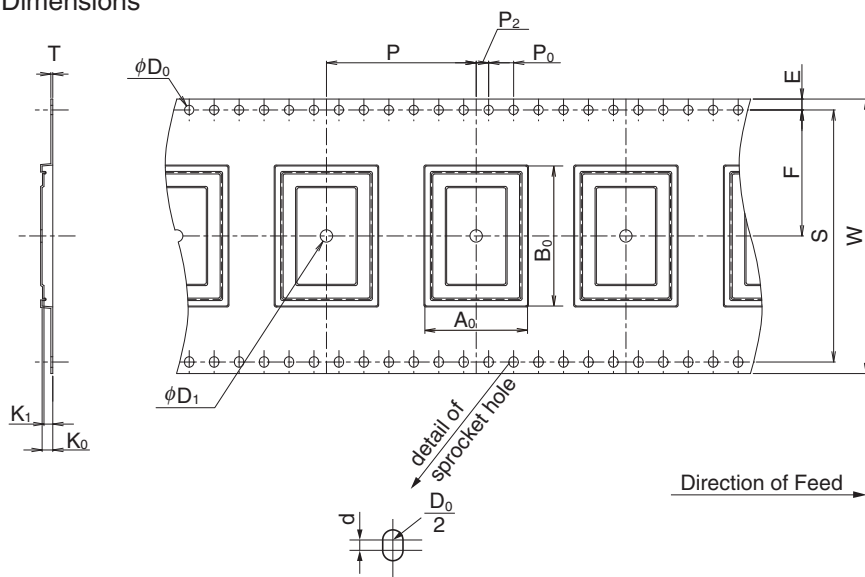


EMBOSED TAPE CONTAINER

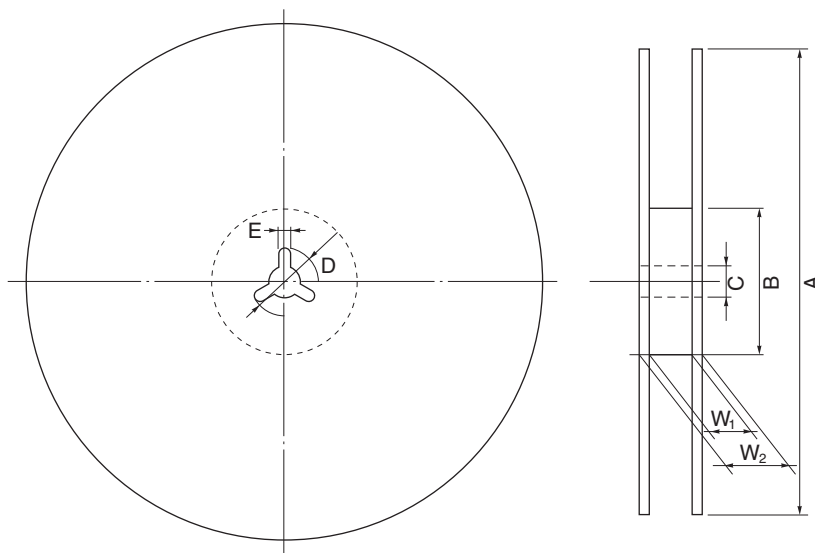
Tape Dimensions



(Unit : mm)

| Symbol | Specification |
|--------|----------------|
| A_0 | 16.45 |
| B_0 | 22.45 |
| K_0 | 1.7 |
| K_1 | 1.4 |
| W | 44.0 ± 0.3 |
| F | 20.2 ± 0.1 |
| E | 1.75 ± 0.1 |
| P | 24.0 ± 0.1 |
| P_2 | 2.0 ± 0.15 |
| P_0 | 4.0 ± 0.1 |
| D_0 | $1.5^{+0.1}_0$ |
| T | 0.3 |
| D_1 | 2.0 MIN. |
| S | 40.4 ± 0.1 |
| d | 0.2 |

Reel Dimensions



(Unit : mm)

| Symbol | Specification |
|--------|---------------------|
| A | $\phi 330 \pm 2.0$ |
| B | $\phi 100$ |
| C | $\phi 13.0 \pm 0.2$ |
| D | $\phi 21.0 \pm 0.8$ |
| E | 2.0 ± 0.5 |
| W_1 | 45.5 |
| W_2 | 49.5 |

| Applied Package | Quantity (pcs) |
|--|----------------|
| 100-pin Plastic LQFP (Fine Pitch)(1.4mm thick) | 750 MAX. |
| 128-pin Plastic LQFP (Fine Pitch)(1.4mm thick) | |