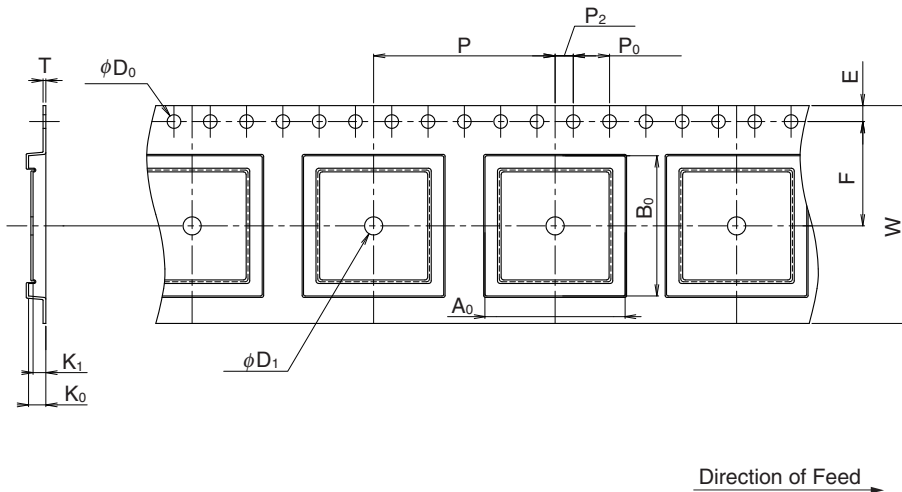


EMBOSS TAPE CONTAINER

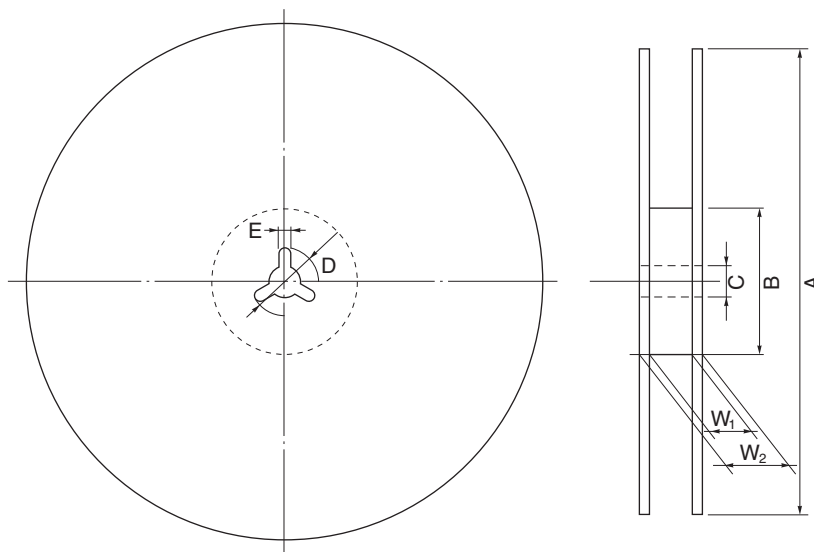
Tape Dimensions



(Unit : mm)

Symbol	Specification
A_0	15.45
B_0	15.45
K_0	1.90
K_1	1.40
W	$24.0^{+0.3}_{-0.1}$
F	11.5 ± 0.1
E	1.75 ± 0.1
P	20.0 ± 0.1
P_2	2.0 ± 0.1
P_0	4.0 ± 0.1
D_0	1.5
T	0.3
D_1	2.0 MIN.

Reel Dimensions



(Unit : mm)

Symbol	Specification
A	$\phi 330 \pm 2.0$
B	$\phi 100$
C	$\phi 13 \pm 0.2$
D	$\phi 21 \pm 0.8$
E	2.0 ± 0.5
W_1	25.5
W_2	29.5 ± 1.0

Applied Package	Quantity (pcs)
64-pin Plastic LQFP (12x12)	1,000 MAX.
80-pin Plastic LQFP (12x12)	