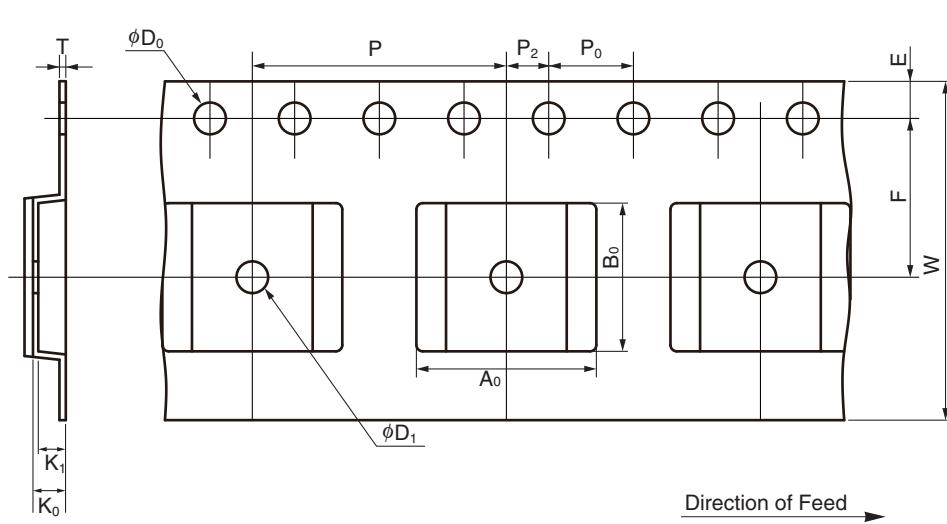


EMBOSSED TAPE CONTAINER

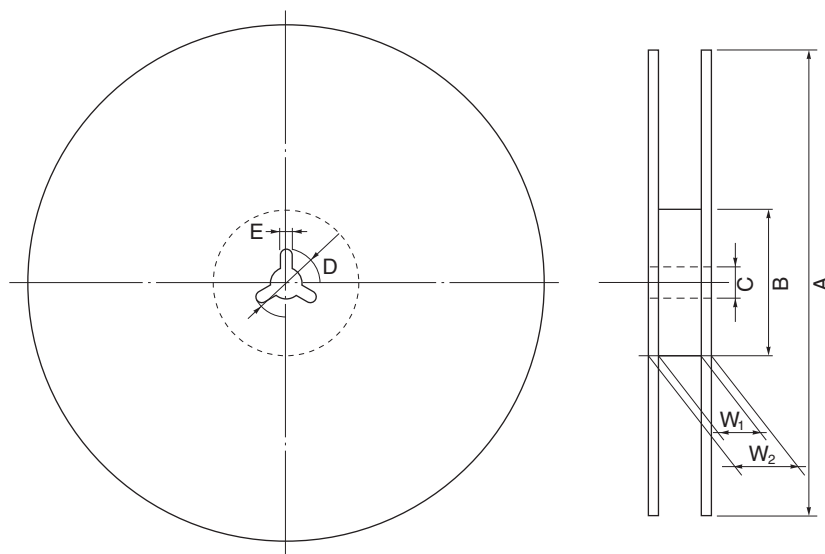
Tape Dimensions



(Unit :mm)

Symbol	Specification
A ₀	8.5
B ₀	7.0
K ₀	1.7
K ₁	1.3
W	16.0±0.3
F	7.5±0.1
E	1.75±0.1
P	12.0±0.1
P ₂	2.0±0.1
P ₀	4.0±0.1
D ₀	1.5 ^{+0.1} ₀
T	0.3
D ₁	1.5 MIN.

Reel Dimensions



(Unit :mm)

Symbol	Specification
A	φ330±2.0
B	φ100
C	φ13.0±0.2
D	φ21.0±0.8
E	2.0±0.5
W ₁	17.5
W ₂	21.5

Applied Package	Quantity (pcs)
20-pin Plastic Shrink SOP (t = 1.2 mm thick)	2,500 MAX.