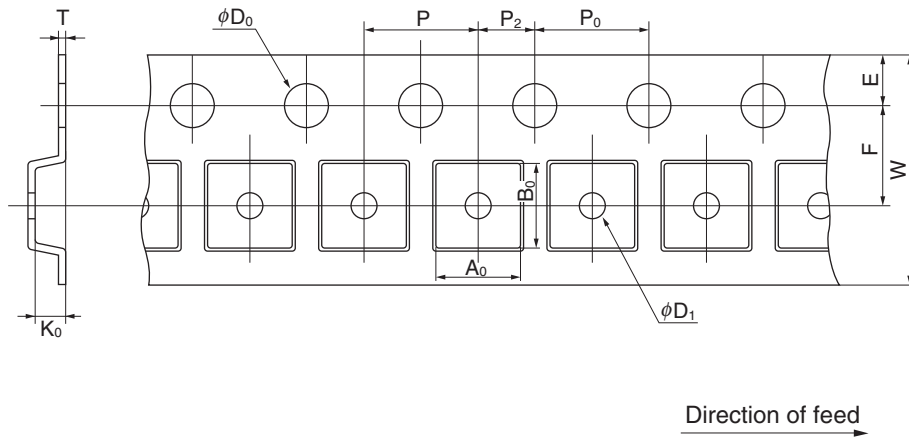


EMBOSS TAPE CONTAINER

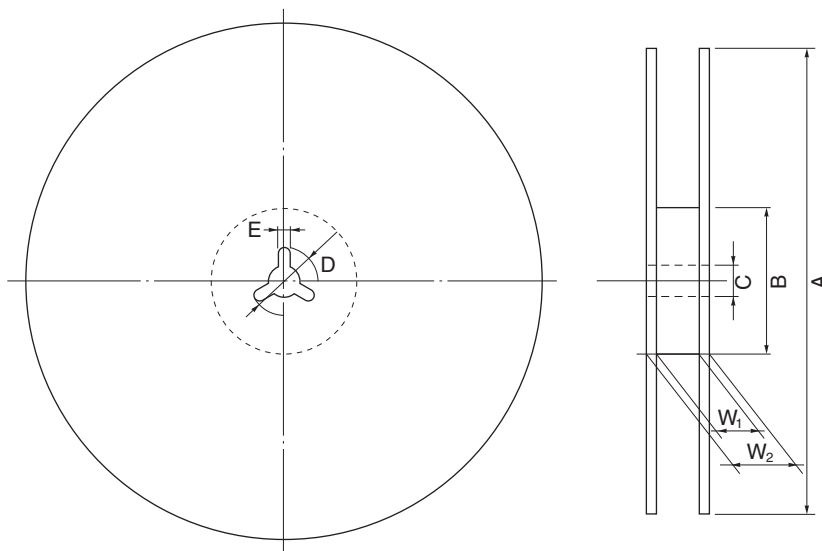
Tape Dimensions



(Unit: mm)

Symbol	Specification
A_0	3.1
B_0	3.1
K_0	0.85
W	8.0 ± 0.3
F	3.50 ± 0.05
E	1.75 ± 0.1
P	4.0 ± 0.1
P_2	2.0 ± 0.05
P_0	4.0 ± 0.1
D_0	$1.5^{+0.1}_0$
T	0.3
D_1	1.0 ± 0.1

Reel Dimensions



(Unit: mm)

Symbol	Specification
A	$\phi 180^{+0}_-3$
B	$\phi 60$
C	$\phi 13.0 \pm 0.2$
D	$\phi 21.0 \pm 0.8$
E	2.0 ± 0.5
W_1	9.0 ± 0.3
W_2	13.0 ± 1.4

Applied Package	Quantity (pcs)
49-pin FBGA (WAFER LEVEL BGA) (2.7x2.7)	3,000 MAX.