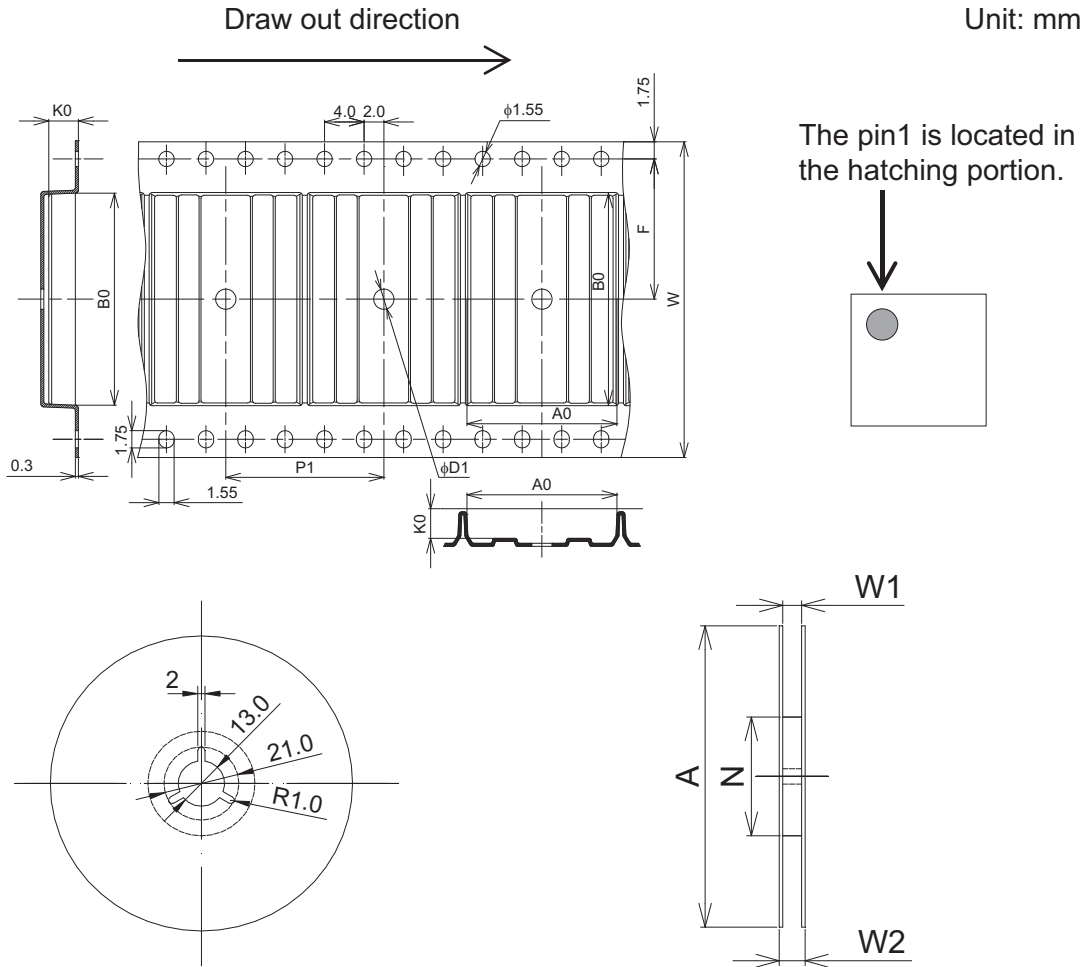


Tape & Reel Outline Drawing



Tape Code		MTE3216H-32P2M-A
Tape Dimensions (mm)	W	32
	P1	16
	A0	15.2
	B0	21.5
	K0	3
	F	14.2
	D1	2.05
Reel Dimensions (mm)	A	330
	N	100
	W1	33.4
	W2	37.4
Maximum storage pcs IC/ Reel		1000
Material		Carbon PS
Surface resistance		Less than $1 \times 10^{11} \Omega/\square$

RDK-H-000643