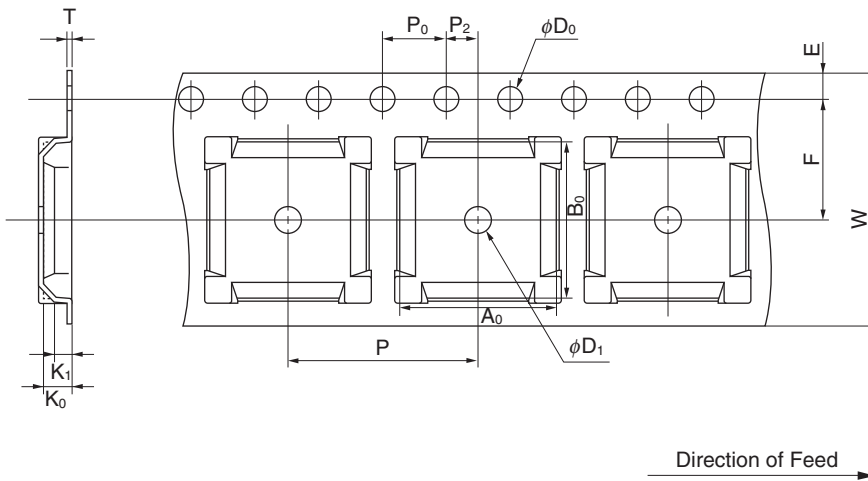


EMBOSS TAPE CONTAINER

Tape Dimensions

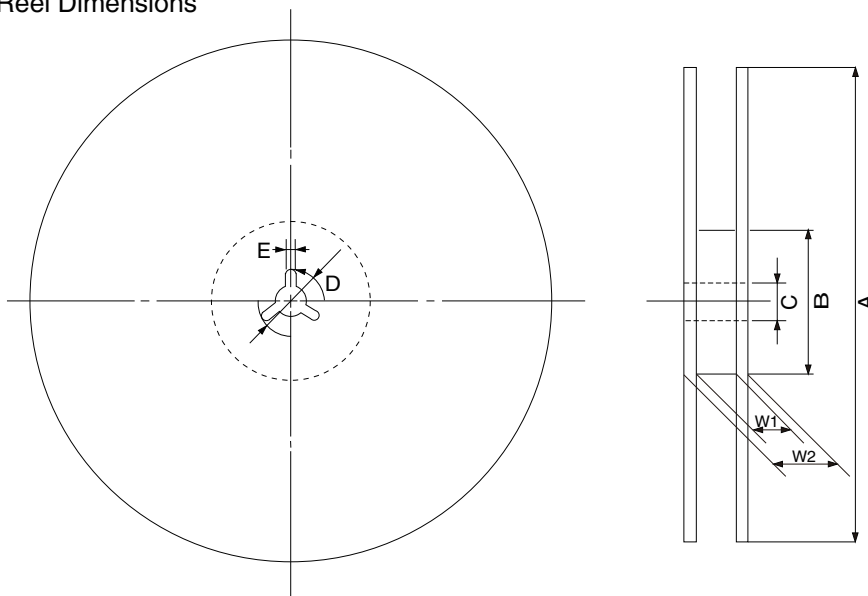
(Unit : mm)



Symbol	Specification
A_0	9.8
B_0	9.8
K_0	2.15
K_1	1.25
W	16.0 ± 0.3
F	7.5 ± 0.1
E	1.75 ± 0.1
P	12.0 ± 0.1
P_2	2.0 ± 0.1
P_0	4.0 ± 0.1
D_0	$1.5^{+0.1}_0$
T	0.3
D_1	1.5 MIN.

Reel Dimensions

(Unit:mm)



Symbol	Specification
A	$\phi 330 \pm 2.0$
B	$\phi 100$
C	$\phi 13.0 \pm 0.2$
D	$\phi 21.0 \pm 0.8$
E	2.0 ± 0.5
W_1	17.5
W_2	21.5

Applied Package	Quantity (pcs)
301-pin PLASTIC FBGA (9.5x9.5)	1,000 MAX.