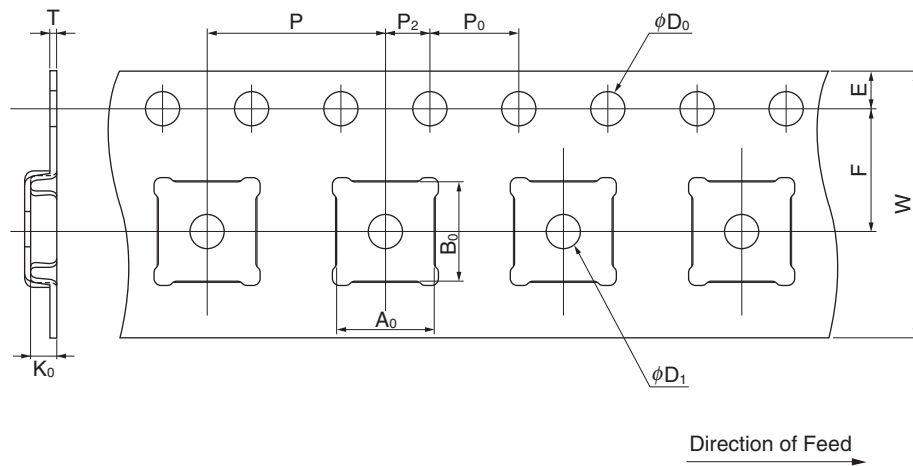


EMBOSS TAPE CONTAINER

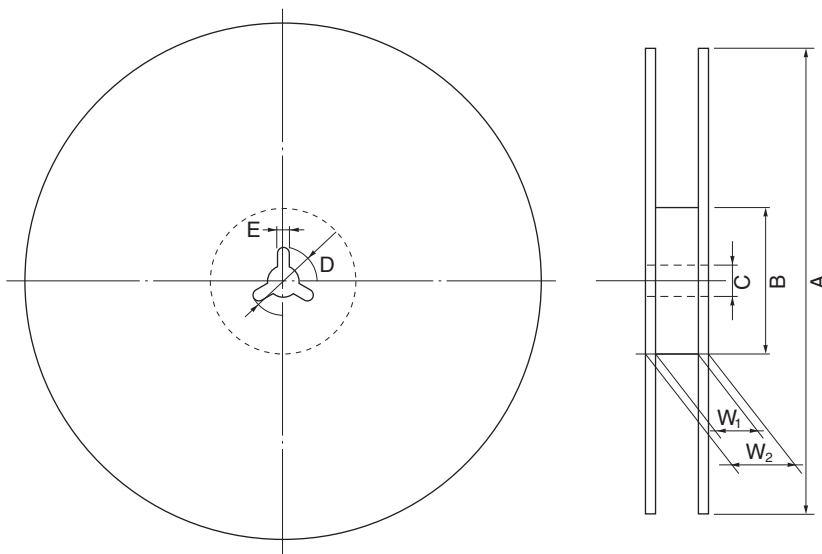
Tape Dimensions



(Unit: mm)

Symbol	Specification
A ₀	3.9
B ₀	3.9
K ₀	1.35
W	12.0±0.3
F	5.5±0.1
E	1.75±0.1
P	8.0±0.1
P ₂	2.0±0.1
P ₀	4.0±0.1
D ₀	1.5 ^{+0.1} ₀
T	0.3
D ₁	1.5 MIN.

Reel Dimensions



(Unit: mm)

Symbol	Specification
A	φ 180 ⁺⁰ ₋₃
B	φ 60
C	φ 13.0±0.2
D	φ 21.0±0.8
E	2.0±0.5
W ₁	13.0
W ₂	17±1.4

Applied Package	Quantity (pcs)
24-pin Plastic FLGA (3.5x3.5)	1,000 MAX.