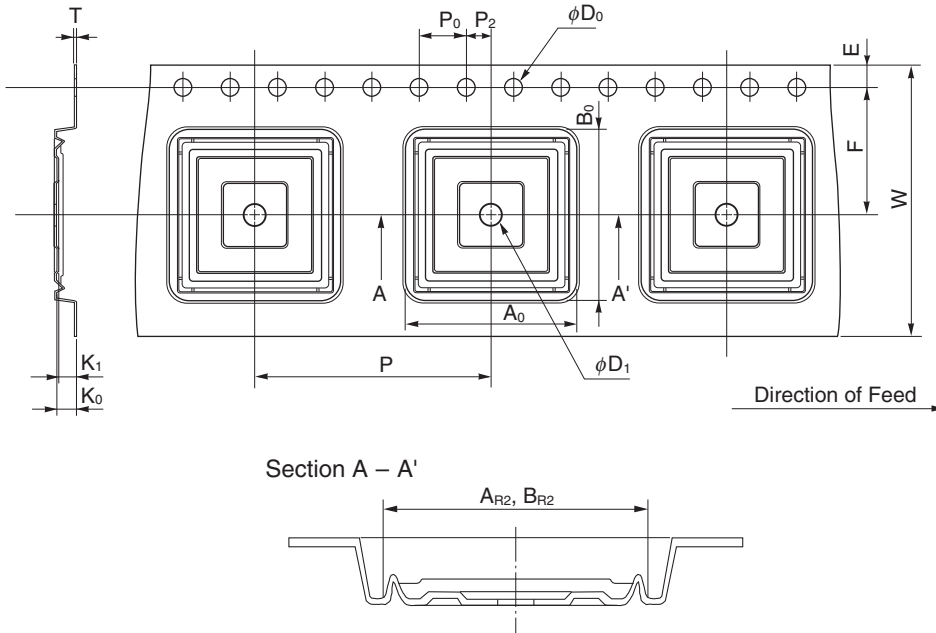


# EMBOSS TAPE CONTAINER

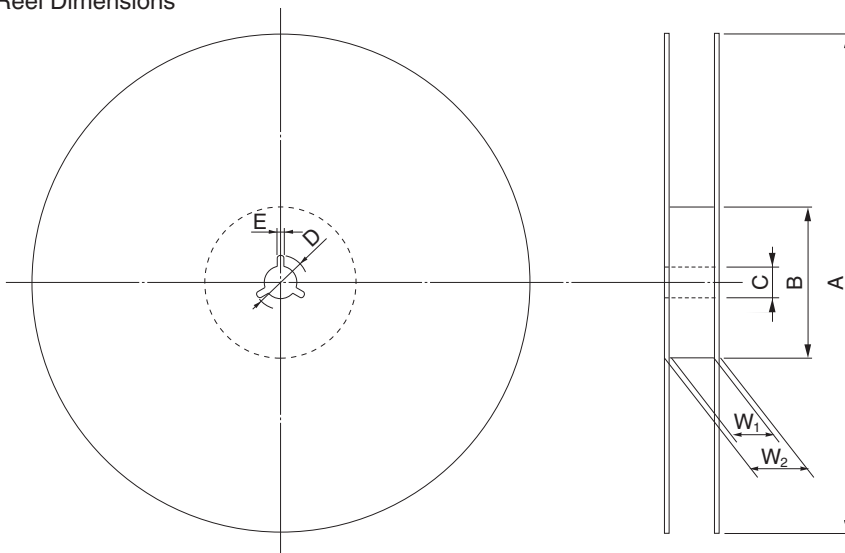
Tape Dimensions



(Unit : mm)

Symbol	Specification
A <sub>0</sub>	14.55
B <sub>0</sub>	14.55
K <sub>0</sub>	1.5
K <sub>1</sub>	1.15
W	24.0±0.3
F	11.5±0.1
E	1.75±0.1
P	20.0±0.1
P <sub>2</sub>	2.0±0.1
P <sub>0</sub>	4.0±0.1
D <sub>0</sub>	1.5 <sup>+0.1</sup> <sub>0</sub>
T	0.3
D <sub>1</sub>	1.5 MIN.
A <sub>R2</sub>	12.75±0.1
B <sub>R2</sub>	12.75±0.1

Reel Dimensions



(Unit: mm)

Symbol	Specification
A	φ330±2.0
B	φ100
C	φ13.0±0.2
D	φ21.0±0.8
E	2.0±0.5
W <sub>1</sub>	25.5
W <sub>2</sub>	29.5±1.0

Applied Package	Quantity (pcs)
64-pin Plastic QFP (1.0 mm thick)	1,500 MAX.
80-pin Plastic QFP (1.0 mm thick)	