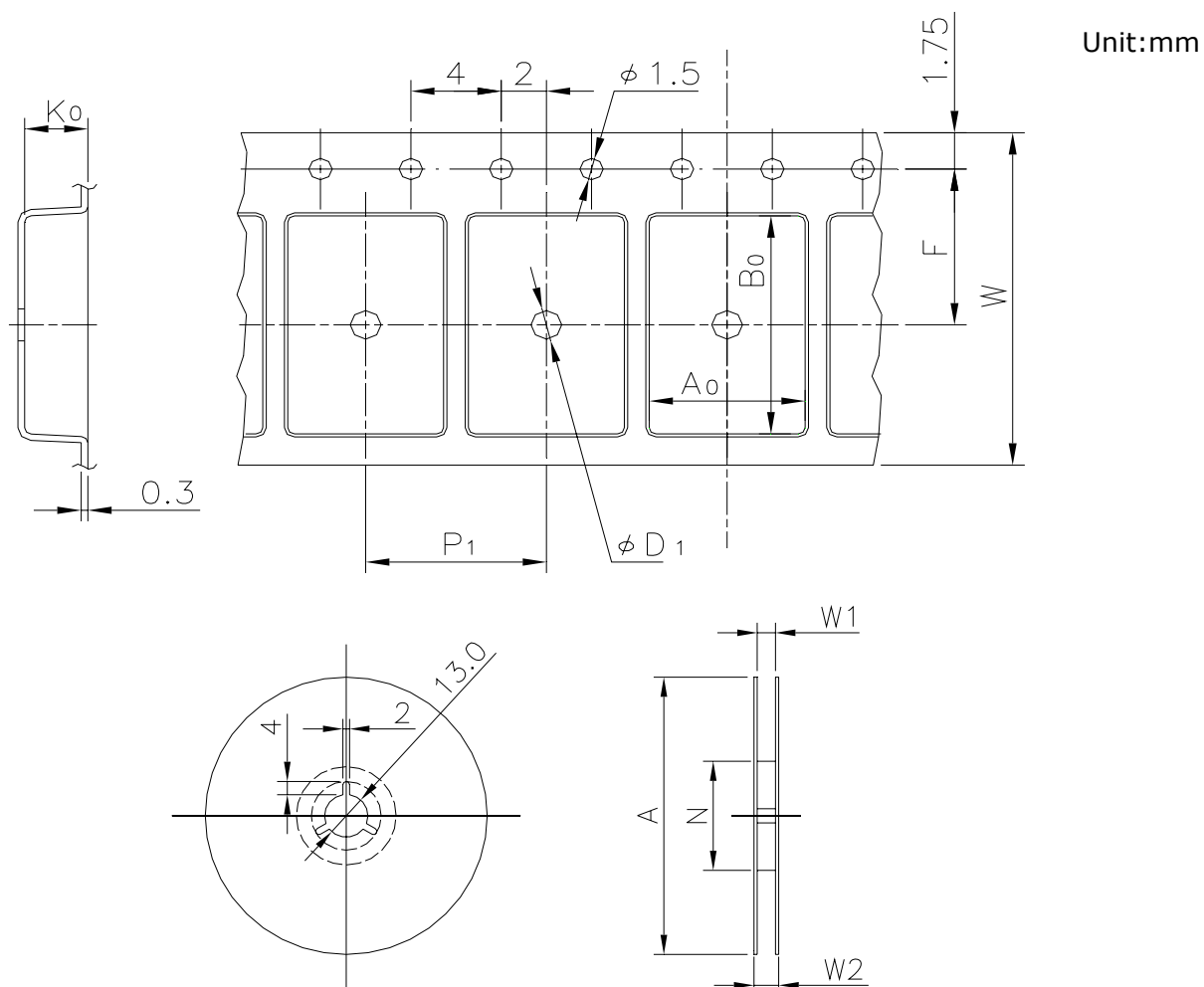


# EMBOSSED TAPE

Taping Code	RENESAS Code	Previous Code
TE0804-12P, 13P, EMBOSS	PTSP0006FA-A	TSOP-6 / TSOP-6V



Tape Dimensions (mm)	W	8.0
	$P_1$	4.0
	$A_0$	3.2
	$B_0$	3.2
	$K_0$	1.5
	F	3.5
	$D_1$	1.05
Reel Dimensions (mm)	A	178
	N	60
	W1	9
	W2	12
Maximum storage No. Transistor/Reel		3000
Material		Carbon PS
Surface resistance		Less than $1 \times 10^{11} \Omega/\square$
Packing form		Non dry pack