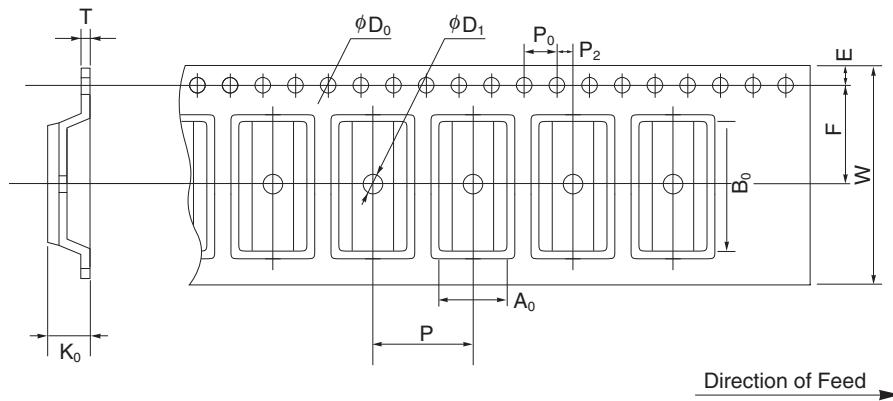


EMBOSS TAPE CONTAINER

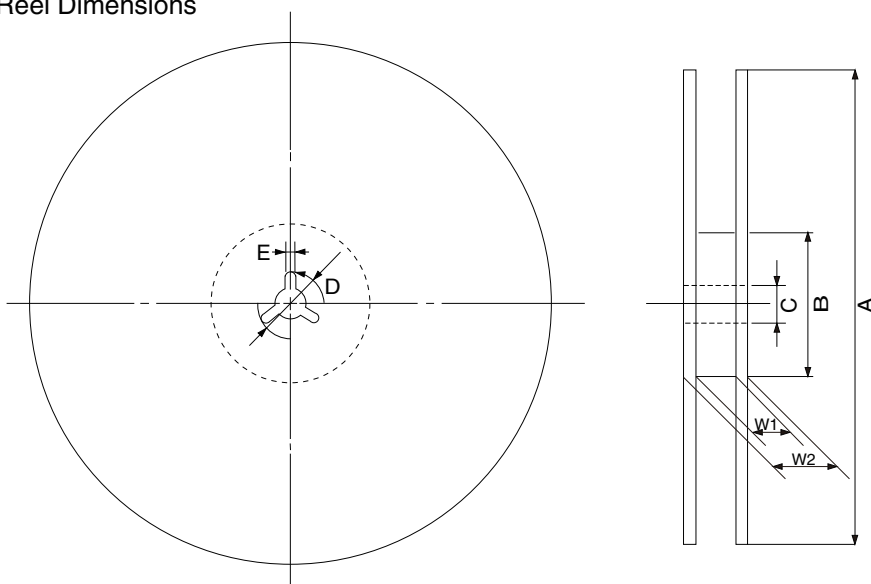
Tape Dimensions



(Unit :mm)

Symbol	Specification
A_0	9.6
B_0	17.8
K_0	1.65
W	24 ± 0.3
F	11.5 ± 0.1
E	1.75 ± 0.1
P	12 ± 0.1
P_2	2 ± 0.1
P_0	4 ± 0.1
D_0	$\phi 1.5^{+0.1}_{-0}$
T	0.3
D_1	$\phi 2.0$ MIN.

Reel Dimensions



(Unit: mm)

Symbol	Specification
A	$\phi 330 \pm 2.0$
B	$\phi 100$
C	$\phi 13.0 \pm 0.2$
D	$\phi 21.0 \pm 0.8$
E	2.0 ± 0.5
W_1	25.5
W_2	29.5 ± 1.0

Applied Package	Quantity (PCS)
26-pin Plastic TSOP (300mil)	MAX. 1000