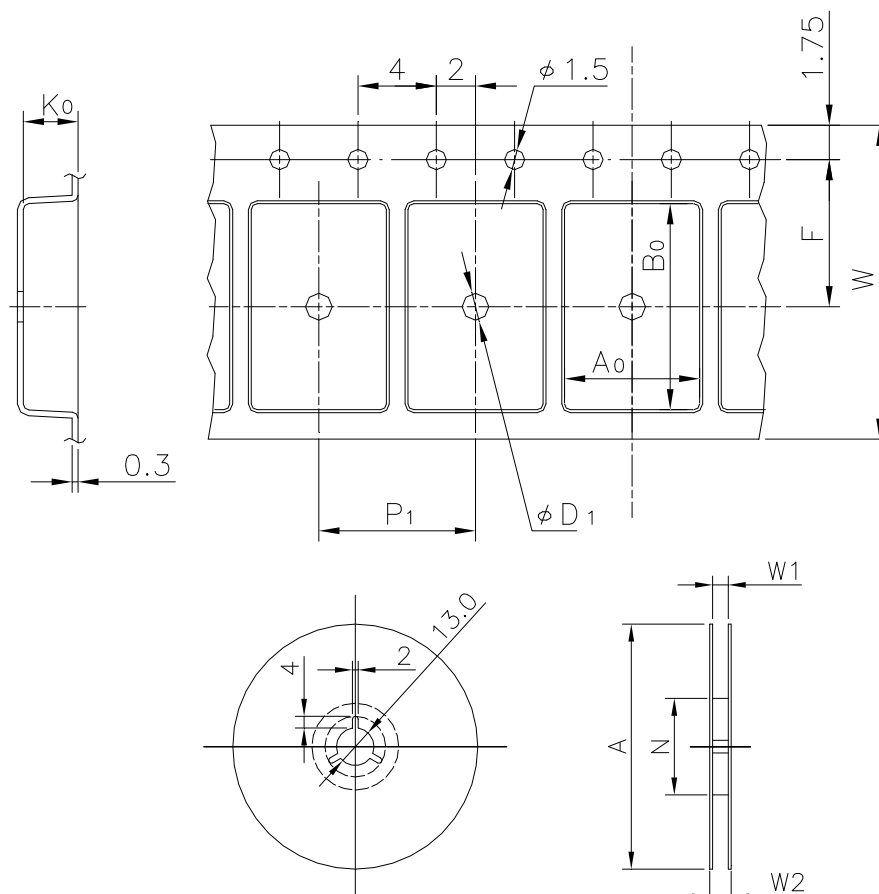


EMBOSSED TAPE

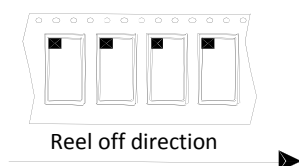
Taping code	RENESAS Code	Previous Code
TE1208-11P,12P	PTSP0014JA-B	TTP-14DV
	PTSP0016JB-A	TTP-16DAV

Unit:mm

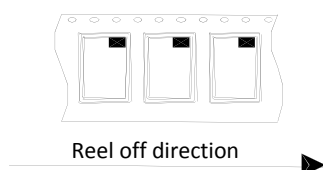


Standard Orientation of Package

The pin 1 is located in the hatching portion.



The pin 1 may also be located in the following portion for reverse bent packages and some QFPs.



Tape Dimensions (mm)	W	12
	P_1	8
	A_0	6.5
	B_0	5.1
	K_0	1.5
	F	5.5
	D_1	1.6
Reel Dimensions (mm)	A	330
	N	100
	W_1	13.4
	W_2	17.4
Maximum storage No. IC/Reel		2000
Material		Carbon PS
Surface resistance		Less than $1 \times 10^{11} \Omega/\square$
Packing form		Non dry pack