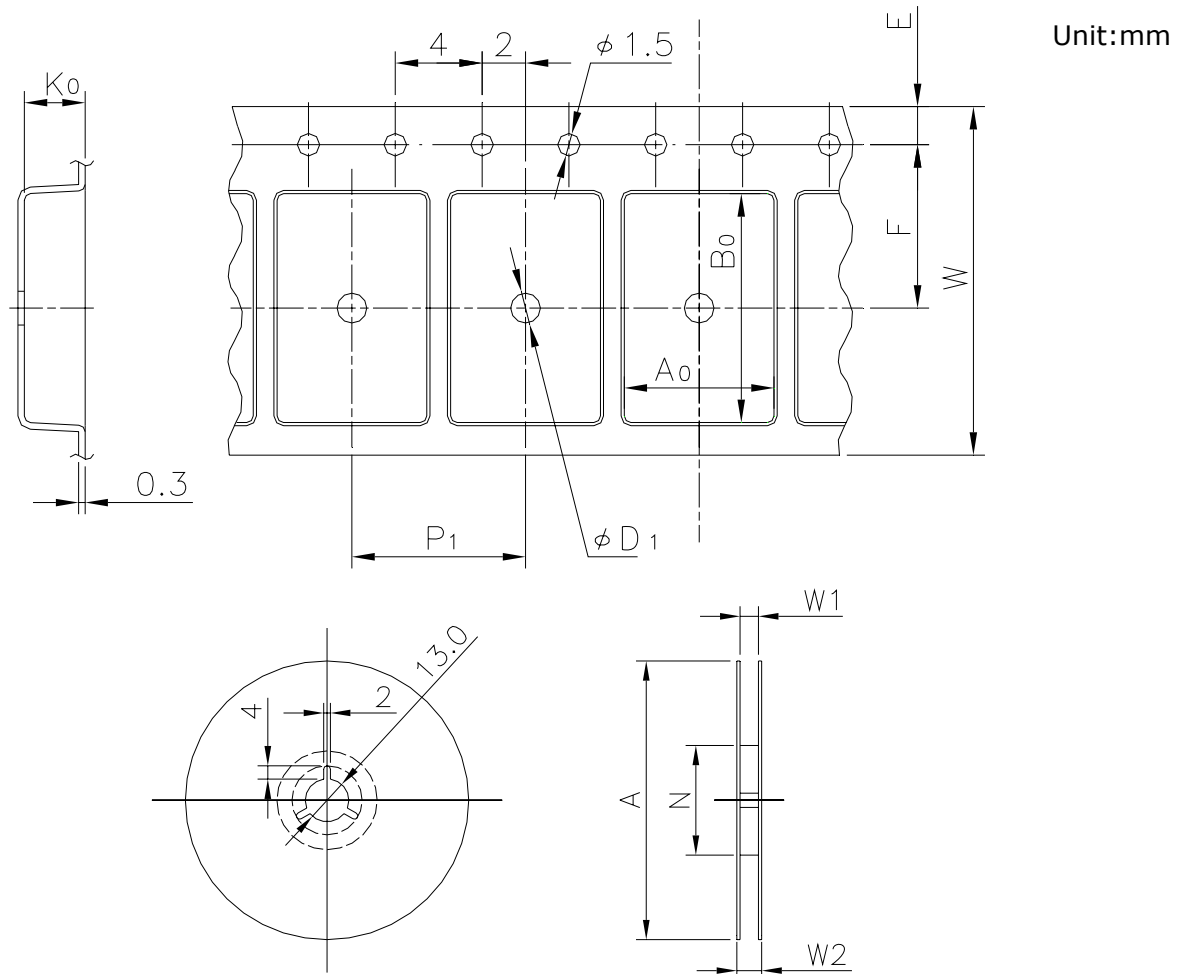


EMBOSSED TAPE

Taping Code	RENESAS Code	Previous Code
TE1208-5P, 19P	PLZZ0004CA-A	UPAK / UPAKV



Tape Dimensions (mm)	W	12.0		
	P_1	8.0		
	A_0	4.8		
	B_0	4.4		
	K_0	1.7		
	F	5.65		
	E	1.5		
	D_1	1.6		
Reel Dimensions (mm)	A	178	178	330
	N	60	60	80
	W1	13	13	14
	W2	17	15.4	18
Maximum storage No. Transistor/Reel		1000	1000	4000
Material		Carbon PS		
Surface resistance		Less than $1 \times 10^{11} \Omega/\square$		
Packing form		Non dry pack		