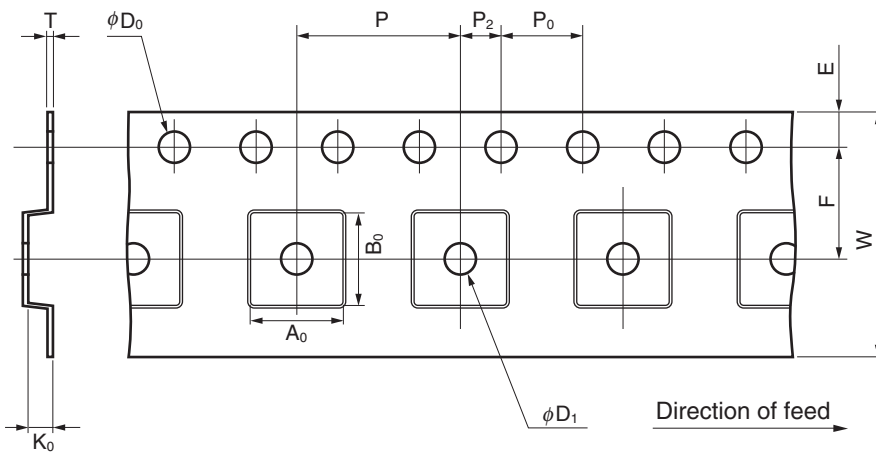


EMBOSS TAPE CONTAINER

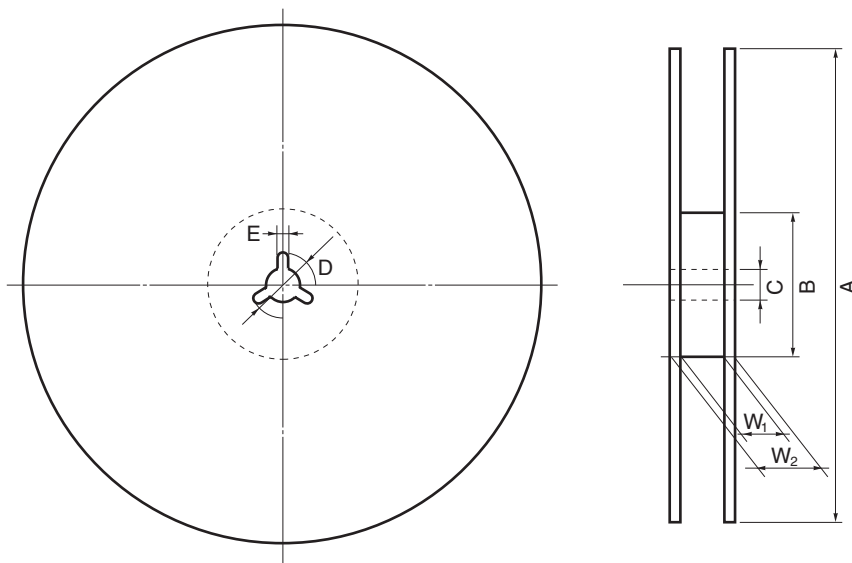
Tape Dimensions



(Unit : mm)

Symbol	Specification
A ₀	4.8
B ₀	4.8
K ₀	1.2
W	12.0±0.3
F	5.5±0.05
E	1.75±0.1
P	8.0±0.1
P ₂	2.0±0.05
P ₀	4.0±0.1
D ₀	1.5 ^{+0.1} ₋₀
T	0.3
D ₁	1.5 MIN.

Reel Dimensions



(Unit : mm)

Symbol	Specification
A	φ 180 ⁺⁰ ₋₃
B	φ 60
C	φ 13.0±0.2
D	φ 21.0±0.8
E	2.0±0.5
W ₁	13.5
W ₂	17.5

Applied Package	Quantity (pcs)
64-pin Plastic FBGA (4.5x4.5)	1,000 MAX.
48-pin Plastic FBGA (4.38x4.38)	1,000 MAX.