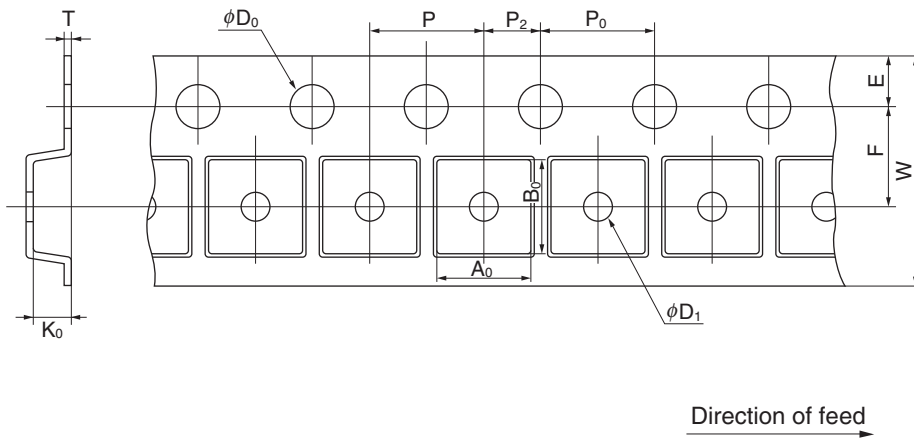


EMBOSS TAPE CONTAINER

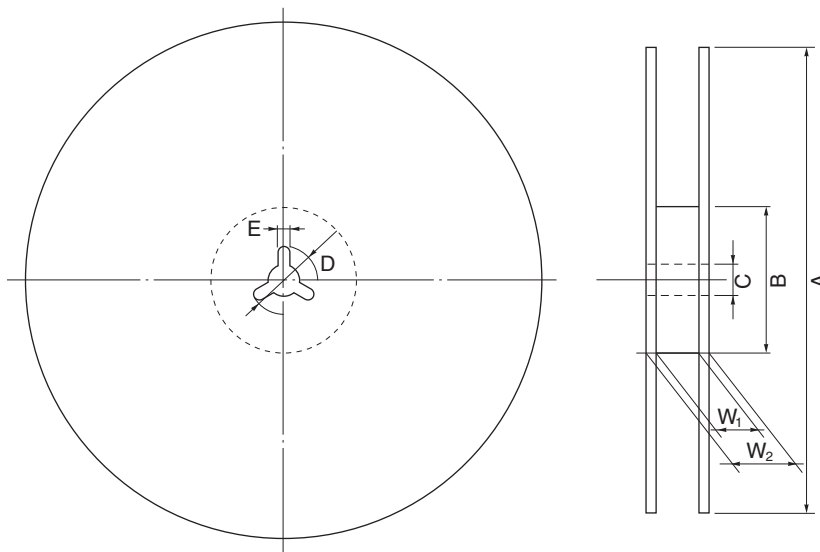
Tape Dimensions



(Unit: mm)

Symbol	Specification
A_0	3.25
B_0	3.25
K_0	1.40
W	8.0 ± 0.3
F	3.5 ± 0.1
E	1.75 ± 0.1
P	4.0 ± 0.1
P_2	2.0 ± 0.1
P_0	4.0 ± 0.1
D_0	$1.5^{+0.1}_0$
T	0.25
D_1	1.0 MIN.

Reel Dimensions



(Unit: mm)

Symbol	Specification
A	$\phi 180^{+0}_3$
B	$\phi 60$
C	$\phi 13.0 \pm 0.2$
D	$\phi 21.0 \pm 0.8$
E	2.0 ± 0.5
W_1	9.0 ± 0.3
W_2	13.0 ± 1.4

Applied Package	Quantity (pcs)
25-pin Plastic FLGA (3x3)	1,000 MAX.
25-pin Plastic FLGA (3x3)	2,000 MAX.