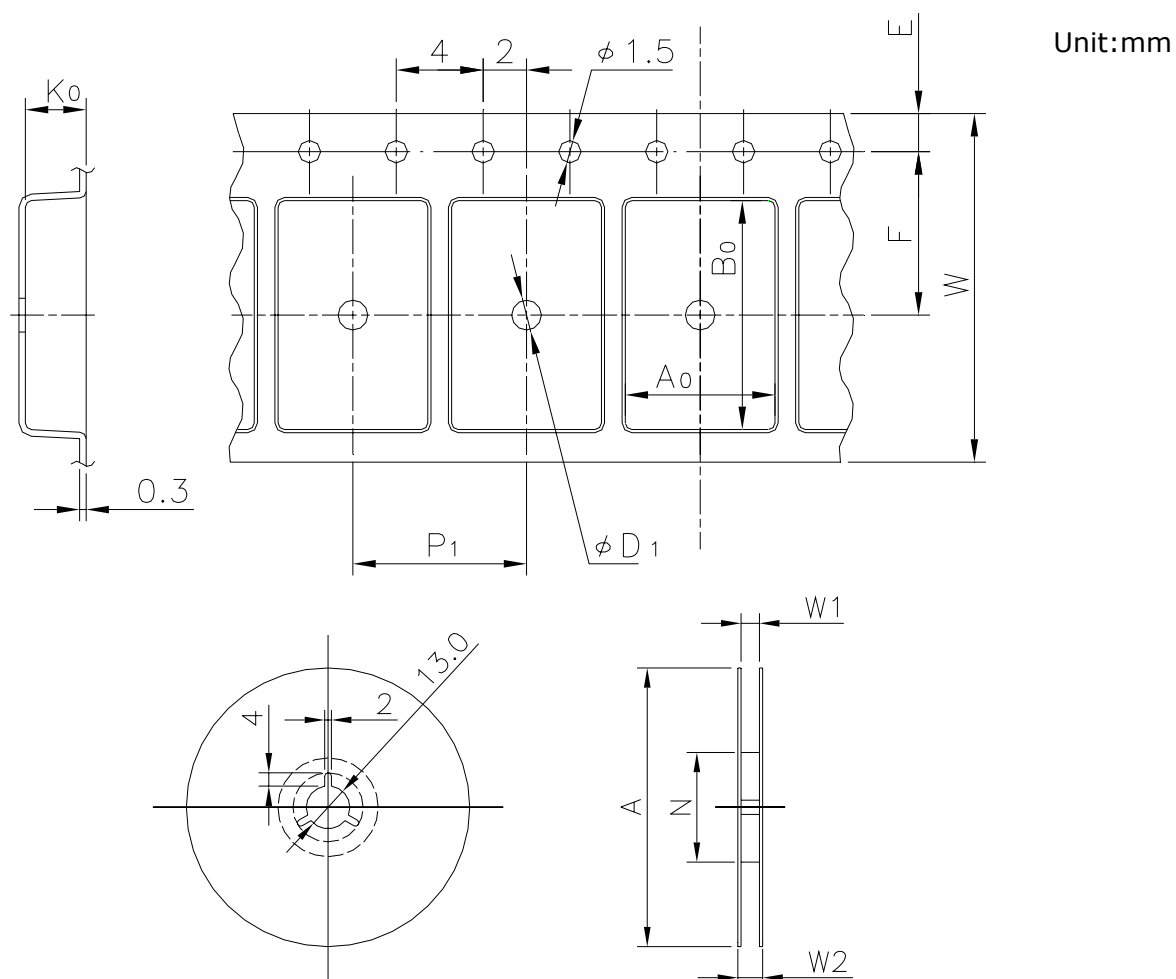


EMBOSSED TAPE

Taping Code	RENESAS Code	Previous Code
TE1208-37P	PVSN0008JA-A	TNP-8DBV



Tape Dimensions (mm)	W	12.0
	P_1	8.0
	A_0	5.05
	B_0	3.25
	K_0	1.2
	F	5.5
	E	1.75
Reel Dimensions (mm)	D_1	1.5
	A	330
	N	100
	W1	13.4
	W2	17.4
Maximum storage No. Transistor/Reel		3000
Material		Carbon PS
Surface resistance		Less than $1 \times 10^{11} \Omega/\square$
Packing form		Non dry pack