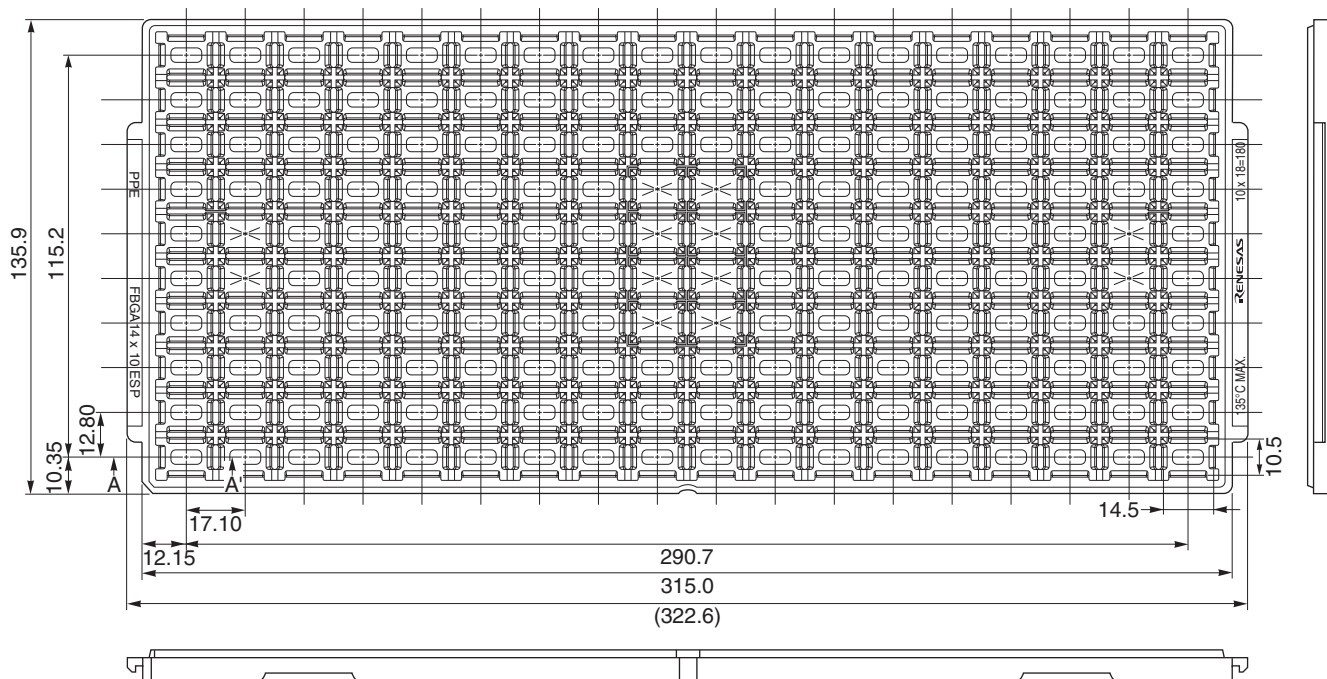
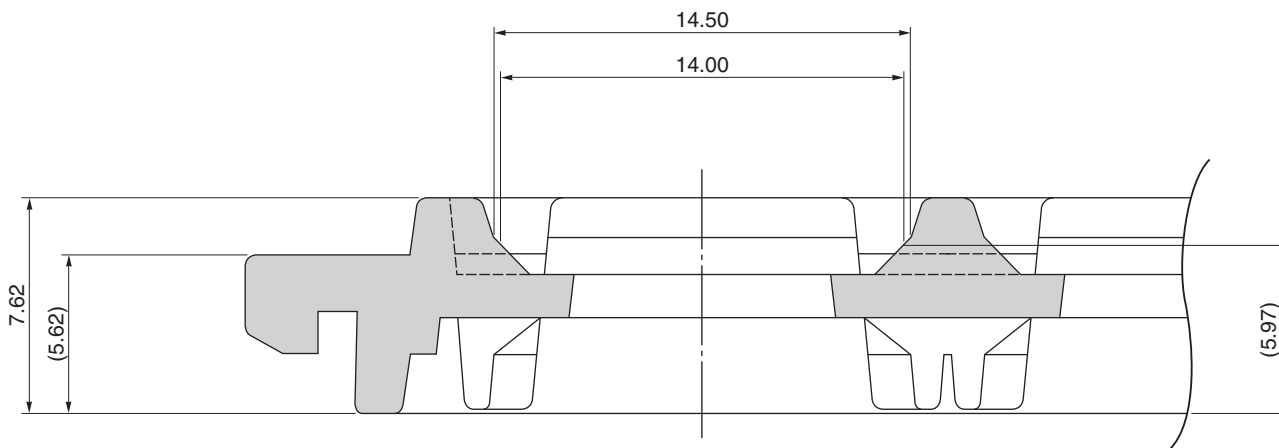


TRAY CONTAINER

UNIT : mm



<SECTION A-A'>



| | | | |
|-----------------------------|----------------|--------------------|---|
| Applied Package | Quantity (pcs) | Tray | FBGA14x10 ESP |
| 117-pin Plastic BGA (14x10) | 180 MAX. | Material | Carbon PPE |
| | | Heat Proof Temp. | 135°C MAX. |
| | | Surface resistance | less than $1 \times 10^{12} \Omega / \square$ |

The tolerance of tray's dimensions are based on JEDEC STANDARD.