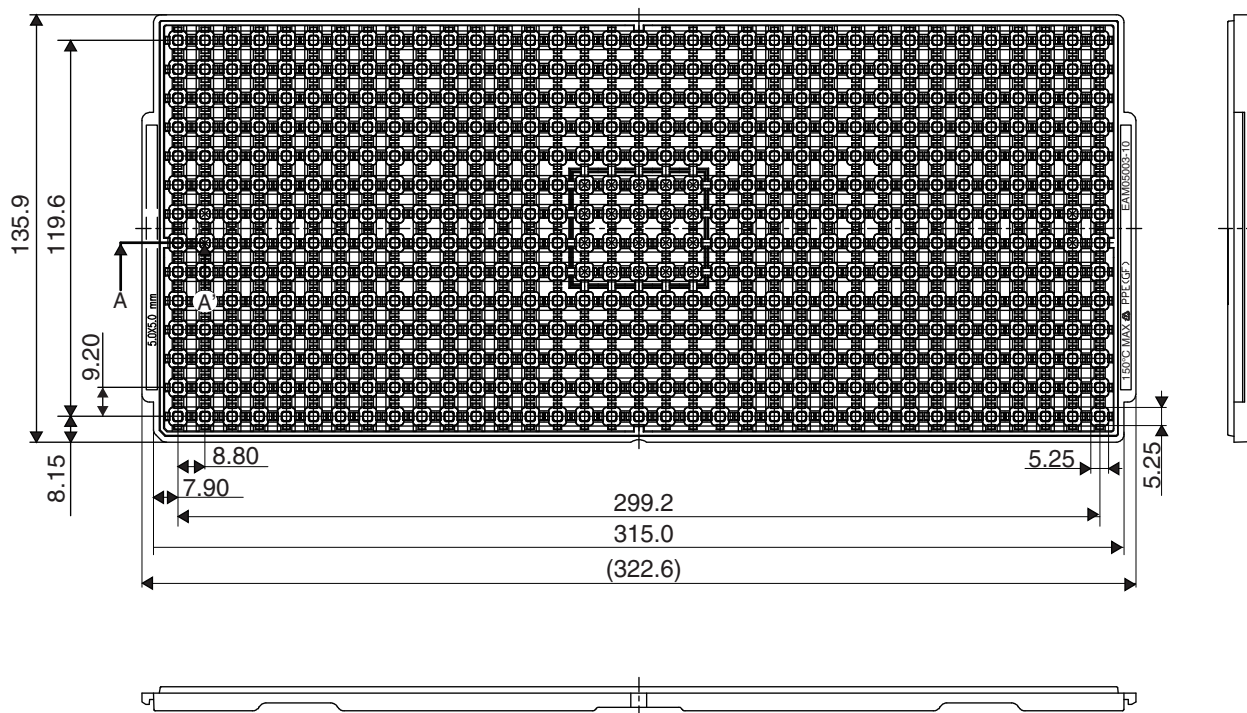
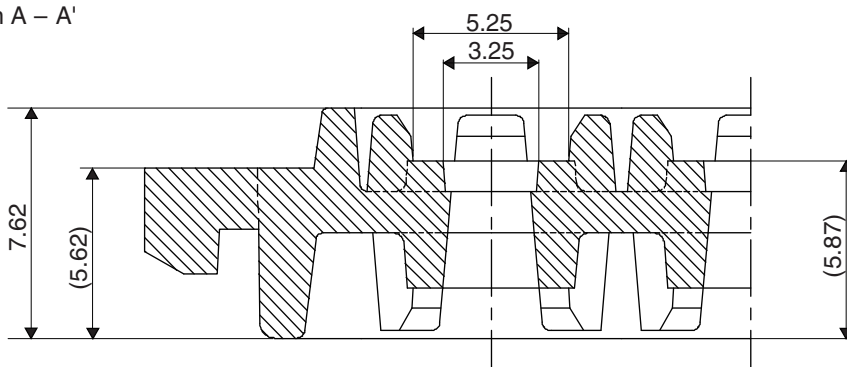


TRAY CONTAINER

UNIT : mm



Section A – A'



Applied Package	Quantity (pcs)
32-pin Plastic QFN(5x5)	490 MAX.

Tray	EAM050503-10
Material	Carbon PPE
Heat Proof Temp.	150°C MAX.
Surface Resistance	Less than $1 \times 10^{12} \Omega / \square$

The tolerance of tray's dimensions are based on JEDEC STANDARD.