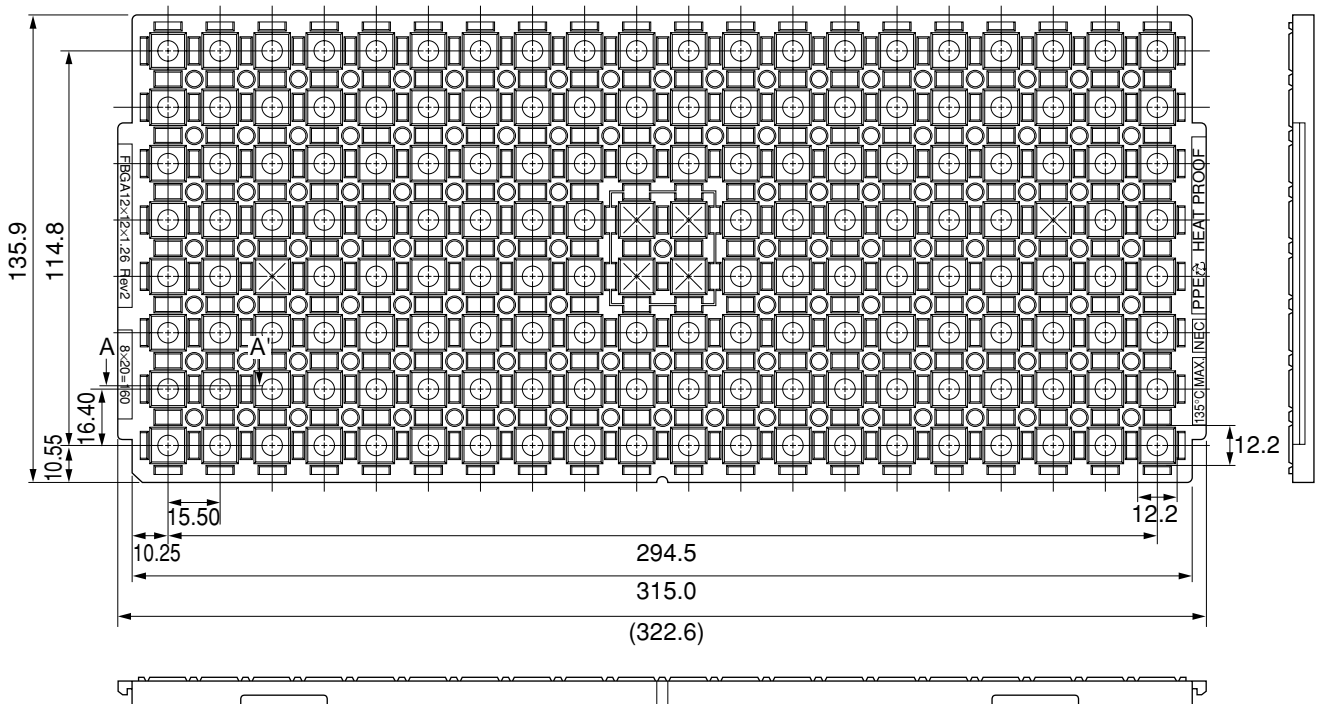
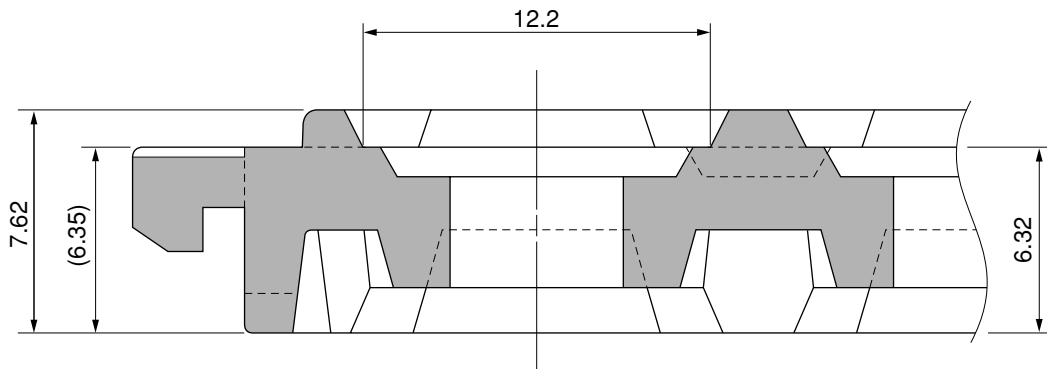


TRAY CONTAINER

UNIT : mm



<SECTION A-A'>



Applied Package	Quantity (pcs)
121-pin · Plastic FBGA (□12)	MAX. 160
148-pin · Plastic FBGA (□12)	

Tray	FBGA 12 × 12 × 1.26 Rev 2
Material	Carbon PPE
Heat Proof Temp.	135°C
Surface resistance	less than $1 \times 10^{12} \Omega / \square$

The tolerance of tray's dimensions are based on JEDEC STANDARD.

SSD-A-H6647

© 2010 Renesas Electronics Corporation. All rights reserved.