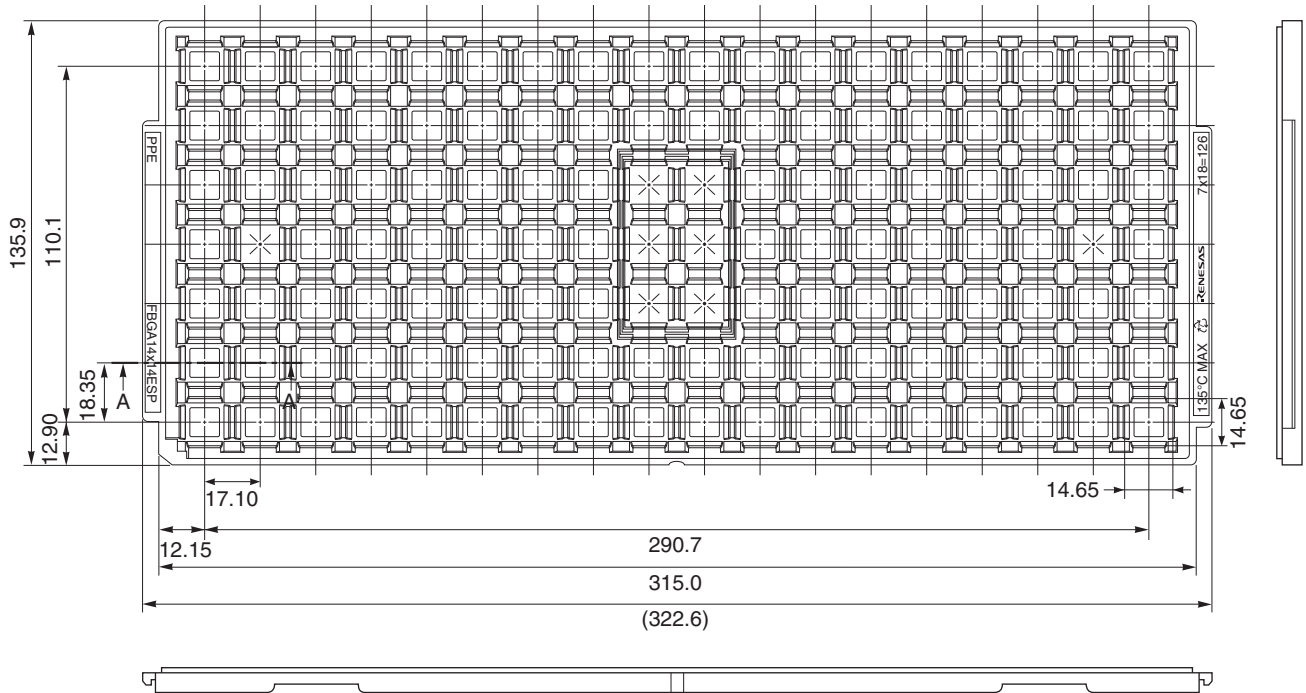
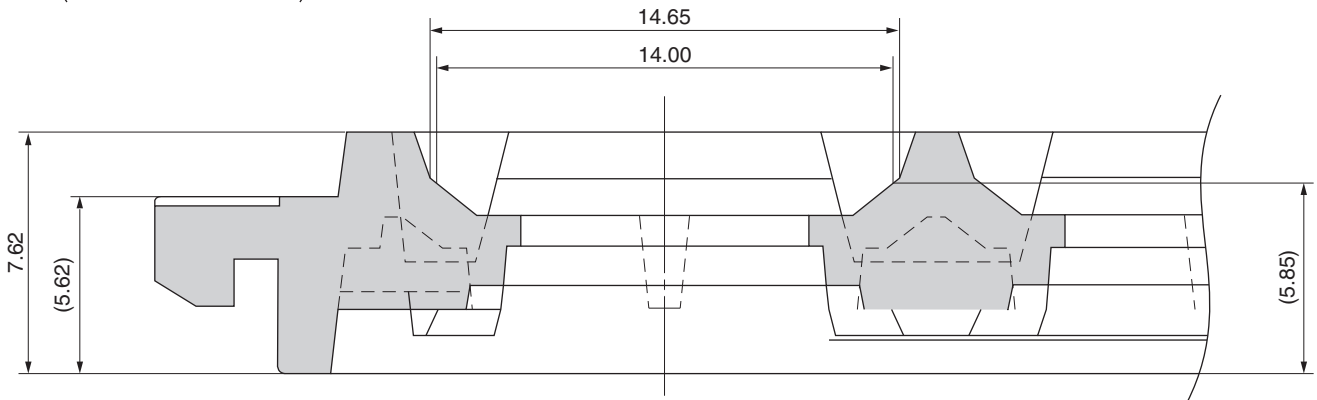


TRAY CONTAINER

UNIT : mm



< SECTION A – A' >



Applied Package	Quantity (pcs)
157-pin Plastic FBGA (14x14)	126 MAX.
257-pin Plastic FBGA (14x14)	
321-pin Plastic FBGA (14x14)	
352-pin Plastic FBGA (14x14)	
421-pin Plastic FBGA (14x14)	
529-pin Plastic FBGA (14x14)	
594-pin Plastic FBGA (14x14)	

Tray	FBGA 14x14 ESP
Material	Carbon PPE
Heat Proof Temp.	135°C MAX.
Surface resistance	less than $1 \times 10^{12} \Omega / \square$

The tolerance of tray's dimensions are based on JEDEC STANDARD.