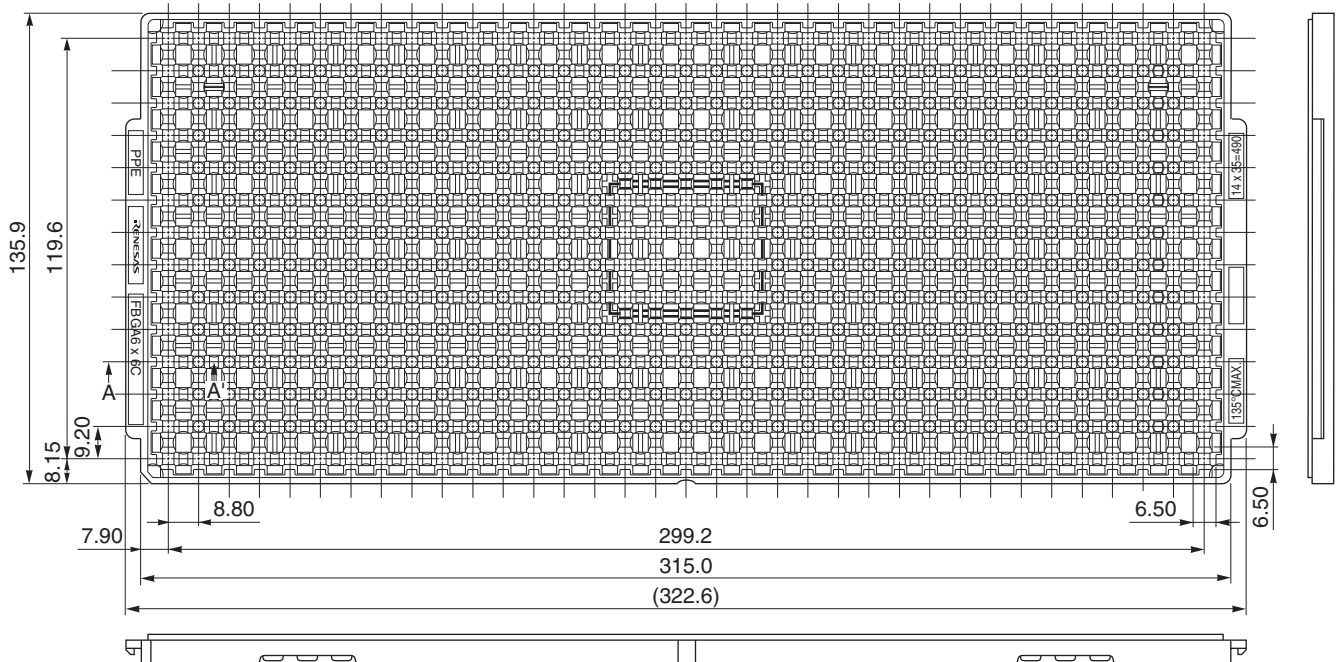
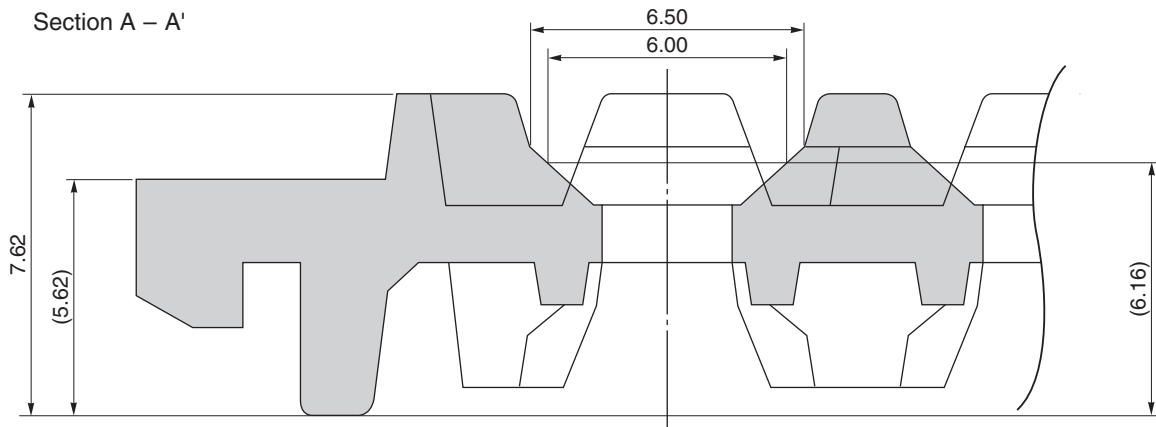


TRAY CONTAINER

UNIT : mm



Section A - A'



Applied Package	Quantity (pcs)
64-pin Plastic FBGA (6x6)	490MAX.
65-pin Plastic FBGA (6x6)	
84-pin Plastic FBGA (6x6)	
85-pin Plastic FBGA (6x6)	
97-pin Plastic FBGA (6x6)	
100-pin Plastic FBGA (6x6)	
121-pin Plastic FBGA (6x6)	
141-pin Plastic FBGA (6x6)	
168-pin Plastic FBGA (6x6)	

Tray	FBGA6x6C
Material	Carbon PPE
Heat Proof Temp.	135°C MAX.
Surface Resistance	Less than $1 \times 10^{12} \Omega / \square$

The tolerance of tray's dimensions are based on JEDEC STANDARD.