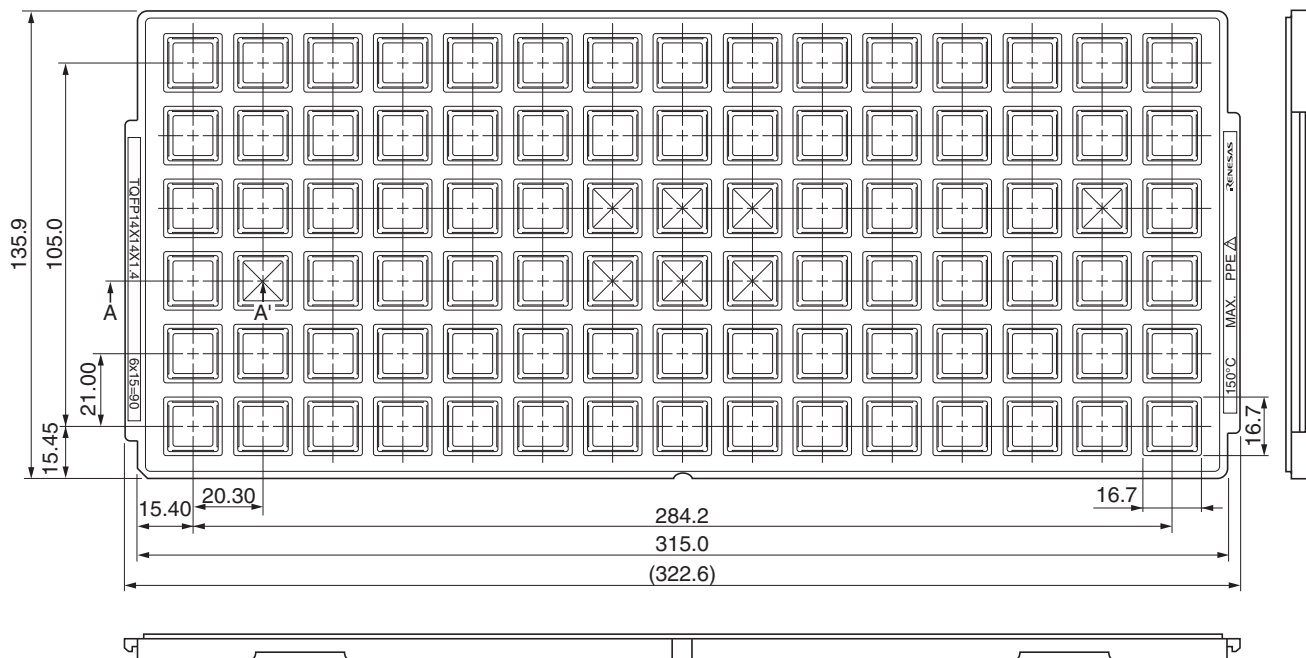
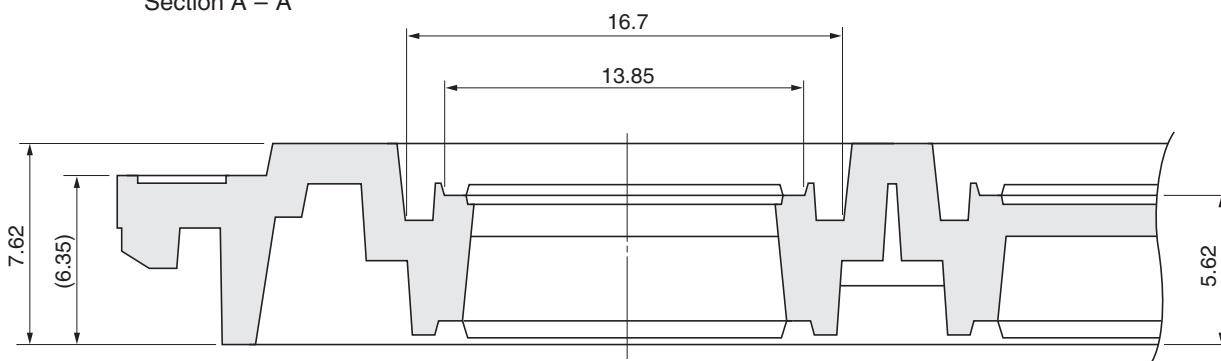


TRAY CONTAINER

UNIT : mm



Section A – A'



Applied Package	Quantity (pcs)
80-pin Plastic LQFP (1.4mm thick)	90 MAX.
100-pin Plastic LQFP (1.4mm thick)	
100-pin Plastic LQFP (1.45mm thick)	
128-pin Plastic LQFP (1.4mm thick)	

Tray	TQFP14x14x1.4
Material	Carbon PPE
Heat Proof Temp.	135°C MAX.
Surface Resistance	Less than $1 \times 10^{12} \Omega / \square$

The tolerance of tray's dimensions are based on JEDEC STANDARD.