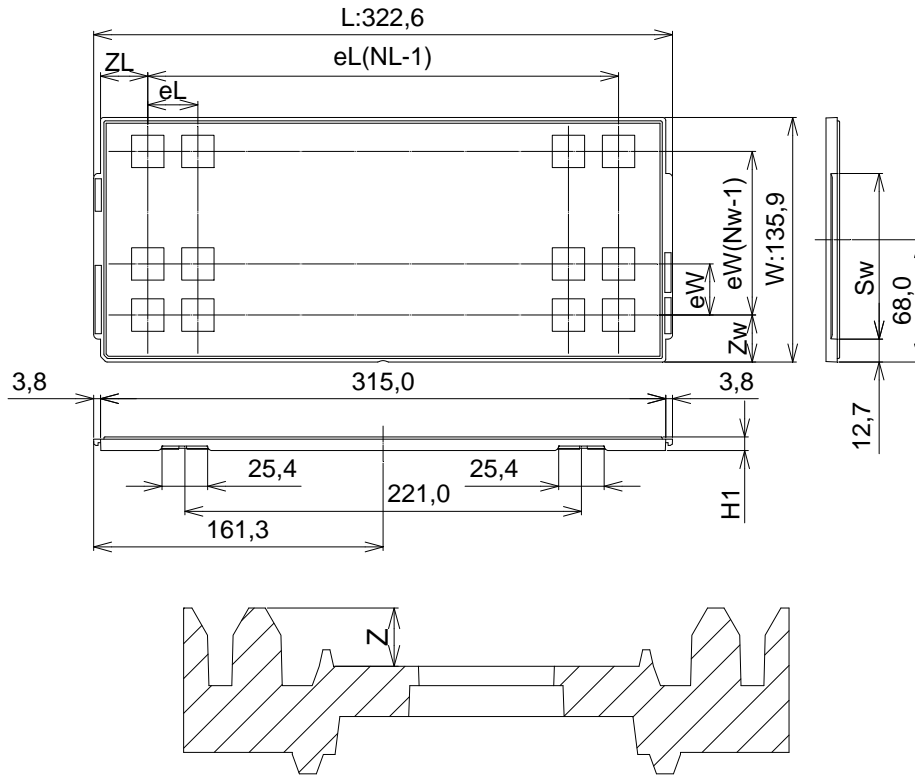
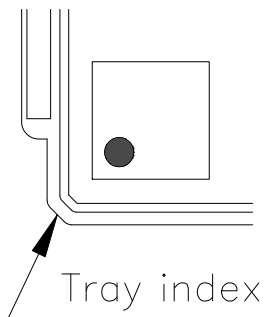


# TrayOutlineDrawing

Unit:mm



The pin1 is located in the hatching portion.



tray Code		JHB-TQ121214-M
Position dimension of cells	Z	1.5
	Zw	13.95
	ZL	14.3
	eW	18.00
	eL	17.90
	Sw	92.1
Thickness (mm)	H1	7.62
Number of cells	Nw	7
	NL	17
Maximum storage Pcs. IC/Tray		119
Maximum storage Pcs. IC/Inner box		952
Material		Carbon PPE
Heat resistant temperature		135°C MAX
JEDEC or Custom		JEDEC
Surface resistance		Less than $1 \times 10^{11} \Omega / \square$

RDK-H-000197

© 2014 Renesas Electronics Corporation. All rights reserved.