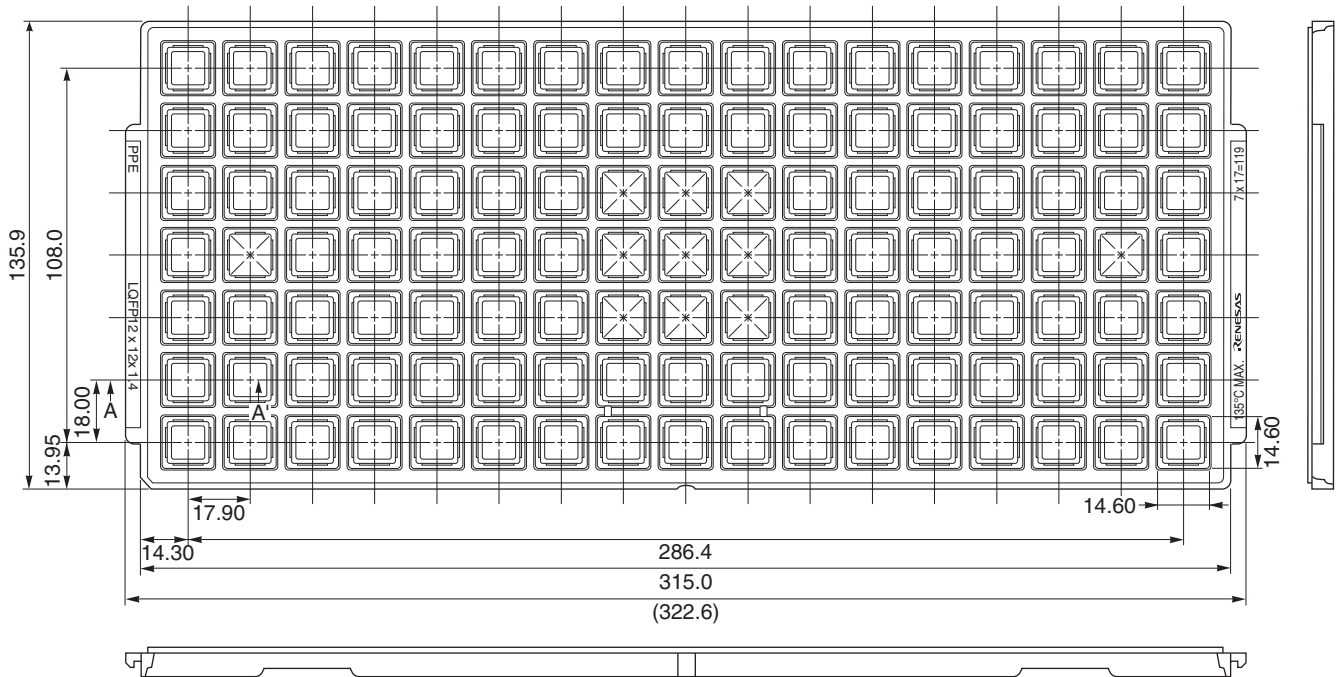
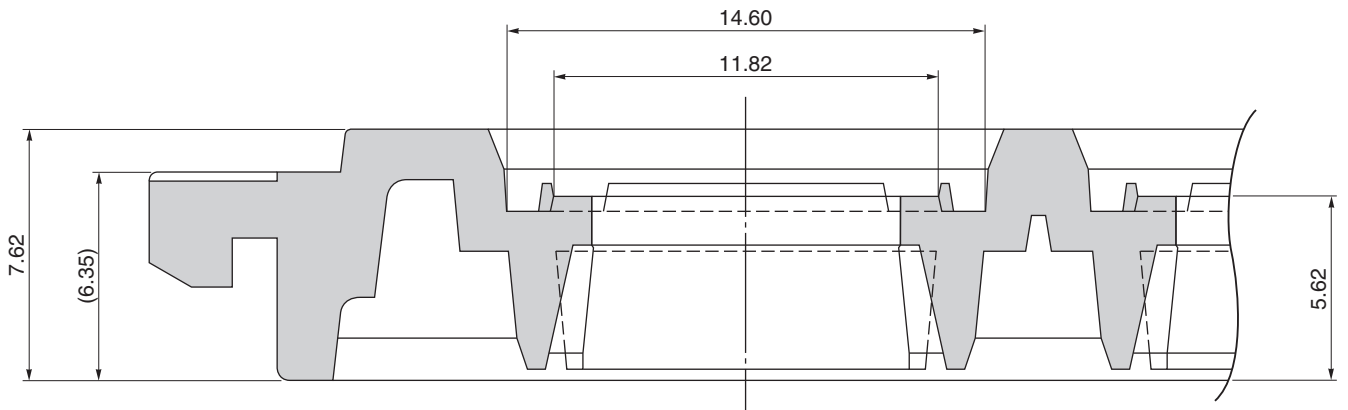


# TRAY CONTAINER

UNIT : mm



## <SECTION A-A'>



Applied Package	Quantity (pcs)
64-pin Plastic LQFP (1.4mm thick)	119 MAX.
80-pin Plastic LQFP (Fine Pitch)(1.4mm thick)	

Tray	LQFP 12x12x1.4
Material	Carbon PPE
Heat Proof Temp.	135°C MAX.
Surface resistance	less than $1 \times 10^{12} \Omega / \square$

The tolerance of tray's dimensions are based on JEDEC STANDARD.