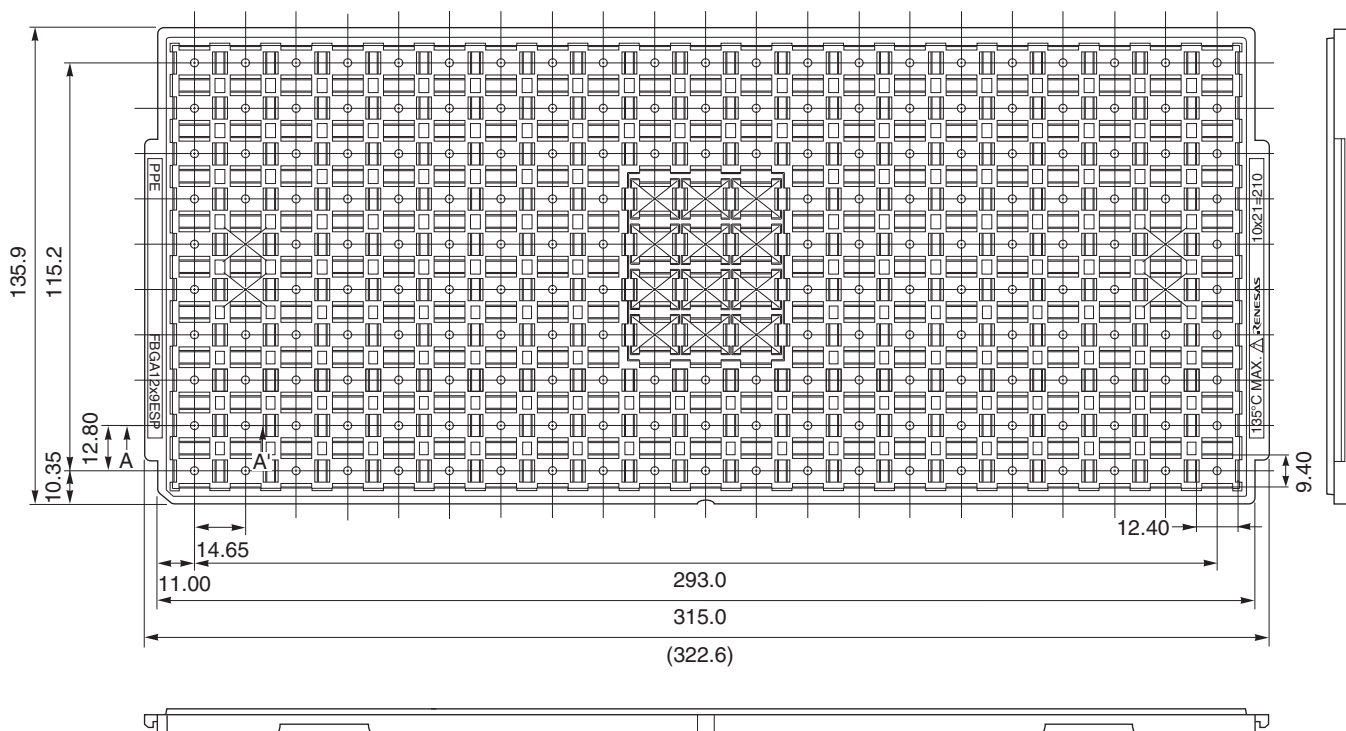
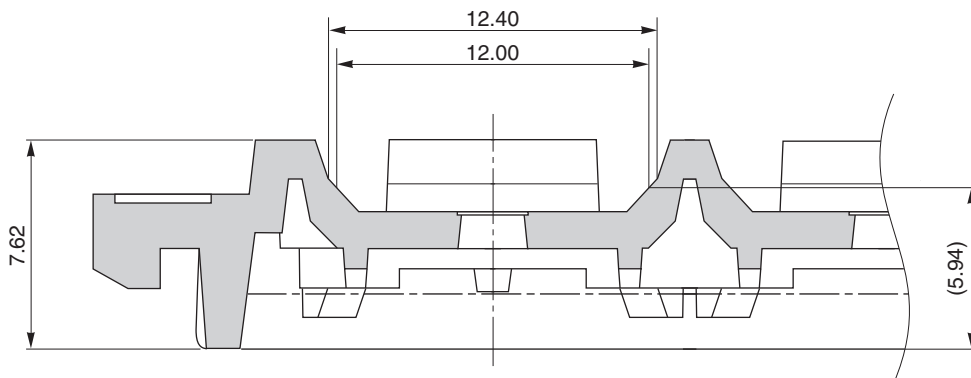


TRAY CONTAINER

UNIT : mm



< SECTION A – A' >



Applied Package	Quantity (pcs)
89-pin TAPE FBGA (12x9)	210 MAX.
93-pin TAPE FBGA (12x9)	

Tray	FBGA12x9ESP
Material	Carbon PPE
Heat Proof Temp.	135°C MAX.
Surface resistance	less than $1 \times 10^{12} \Omega / \square$

The tolerance of tray's dimensions are based on JEDEC STANDARD.