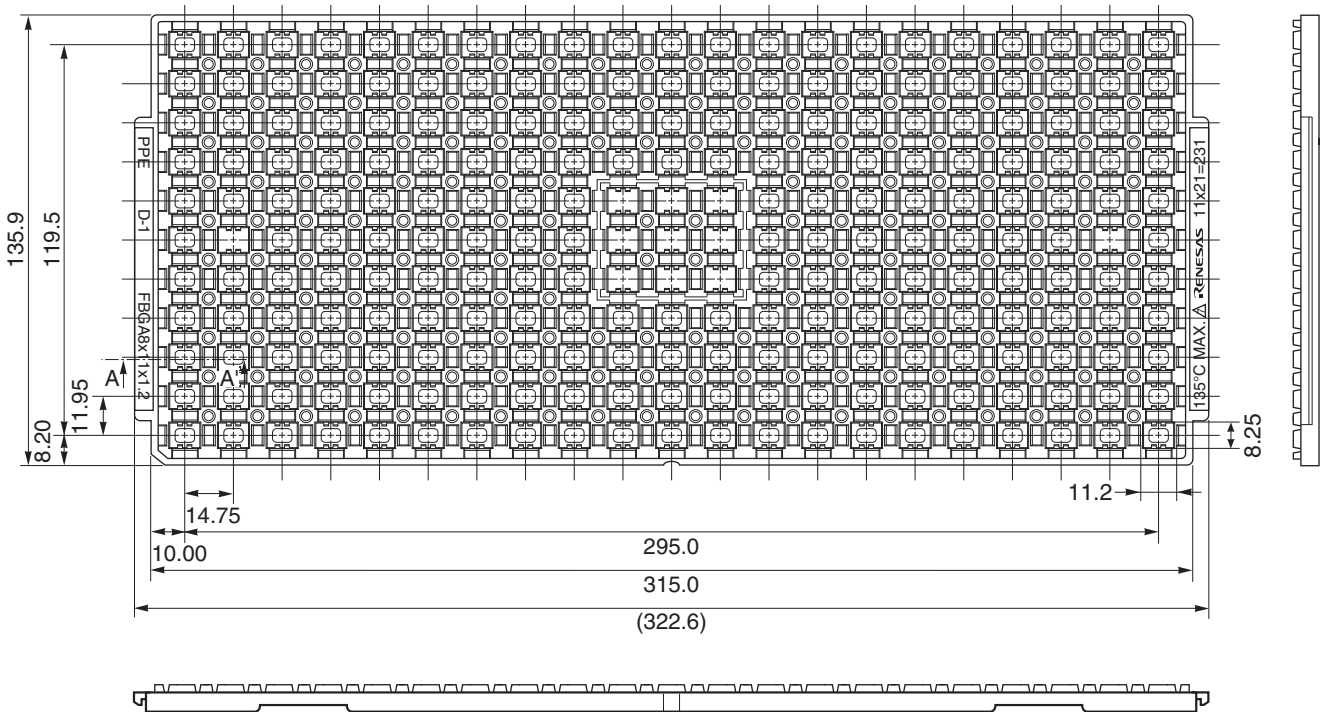
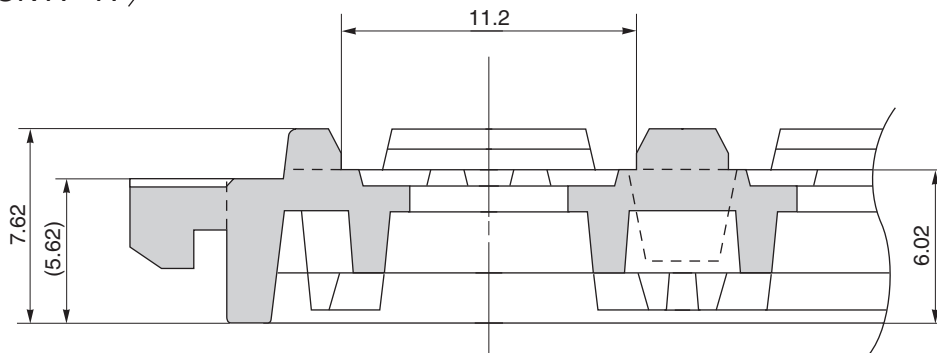


TRAY CONTAINER

UNIT : mm



< SECTION A - A' >



Applied Package	Quantity (pcs)
63-pin TAPE FBGA (11x8)	231 MAX.
69-pin TAPE FBGA (11x8)	
77-pin TAPE FBGA (11x8)	
79-pin TAPE FBGA (11x8)	
85-pin TAPE FBGA (11x8)	
89-pin TAPE FBGA (11x8)	

Tray	FBGA 8x11x1.2
Material	Carbon PPE
Heat Proof Temp.	135°C
Surface resistance	less than $1 \times 10^{12} \Omega / \square$

The tolerance of tray's dimensions are based on JEDEC STANDARD.