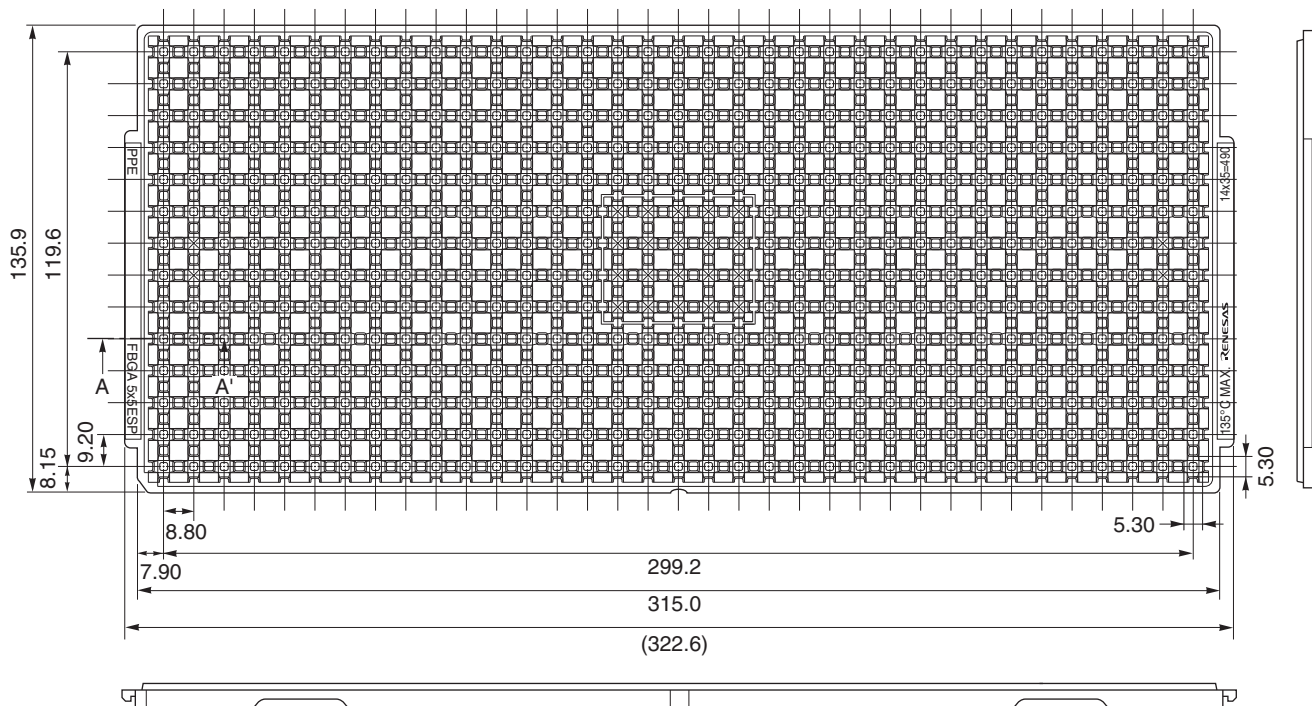
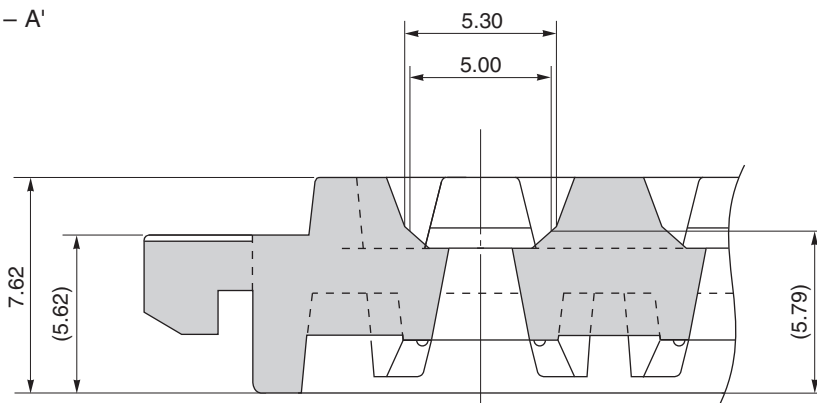


TRAY CONTAINER

UNIT : mm



Section A – A'



Applied Package	Quantity (pcs)	Tray	FBGA 5x5 ESP
49-pin Plastic FLGA (5x5)	490 MAX.	Material	Carbon PPE
52-pin Plastic FLGA (5x5)		Heat Proof Temp.	135°C MAX.
64-pin Plastic FLGA (5x5)		Surface Resistance	Less than 1 x 10 ¹² Ω / □

The tolerance of tray's dimensions are based on JEDEC STANDARD.