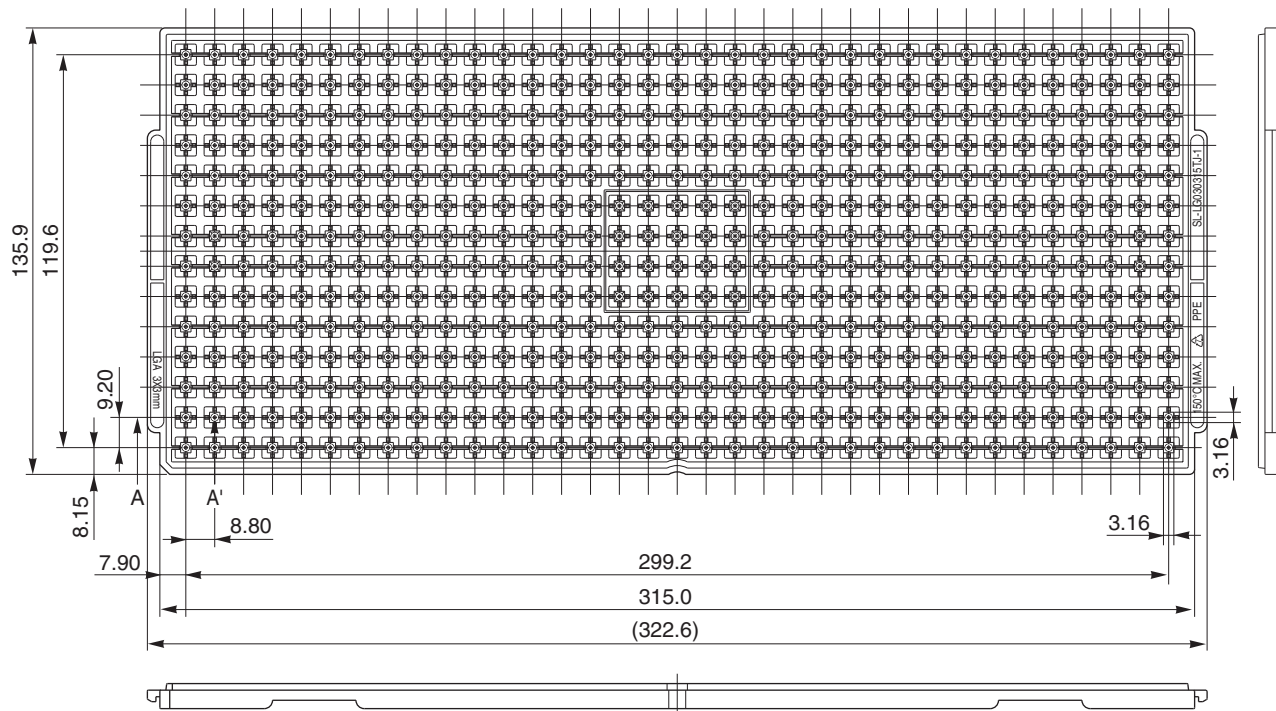
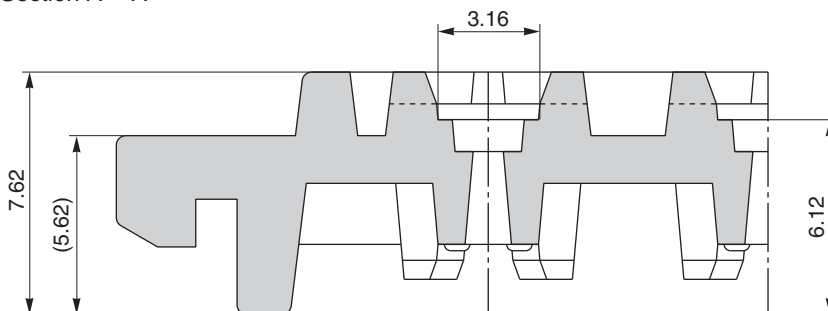


TRAY PACKING

UNIT : mm



Section A – A'



Applied Package	Quantity (pcs)	Tray	SL-LG030315-TJ-1
25-pin Plastic FLGA (3x3)	490 MAX.	Material	Carbon PPE
		Heat Proof Temp.	150°C MAX.
		Surface Resistance	Less than $1 \times 10^{12} \Omega / \square$

The tolerance of tray's dimensions are based on JEDEC STANDARD.