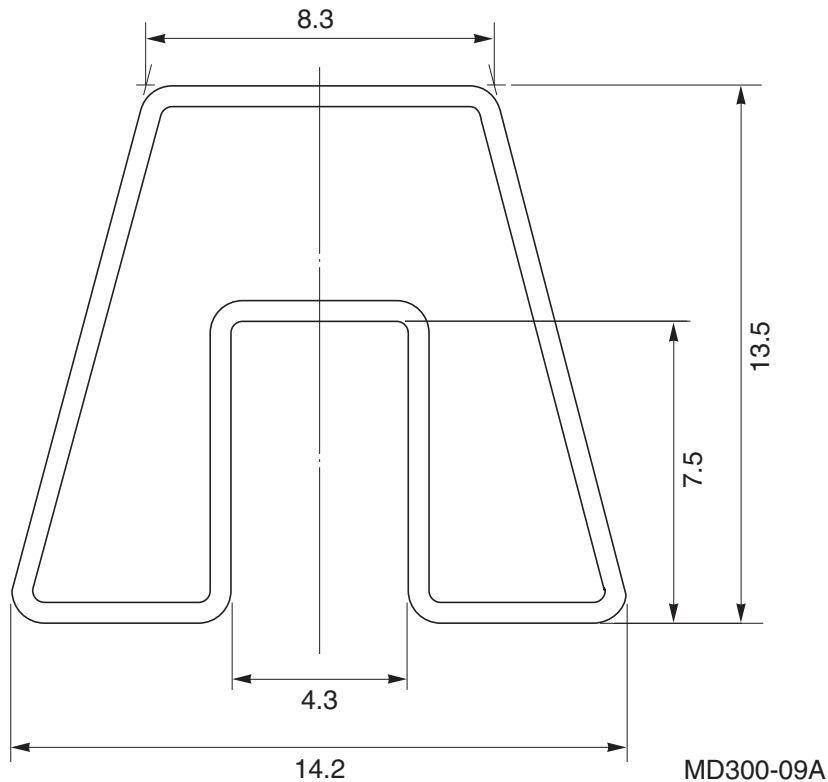


TUBE CONTAINER



UNIT : mm

length : 495 ± 2.0

thickness : $0.5^{+0.2}_{-0.1}$

tolerance : ± 0.4

material : plastic (with antistatic finish)

Applied Package	Quantity (pcs)
8-pin plastic DIP	MAX. 50
8-pin ceramic DIP (cerdip)	MAX. 45
14-pin ceramic DIP (cerdip)	MAX. 24
16-pin ceramic DIP (cerdip)	MAX. 24
18-pin plastic DIP / ceramic DIP (cerdip)	MAX. 20
20-pin plastic DIP / ceramic DIP (cerdip)	MAX. 18
22-pin plastic DIP	MAX. 17
24-pin plastic DIP	MAX. 15
24-pin ceramic DIP (cerdip)	MAX. 14
28-pin plastic DIP	MAX. 13
32-pin plastic DIP	MAX. 11