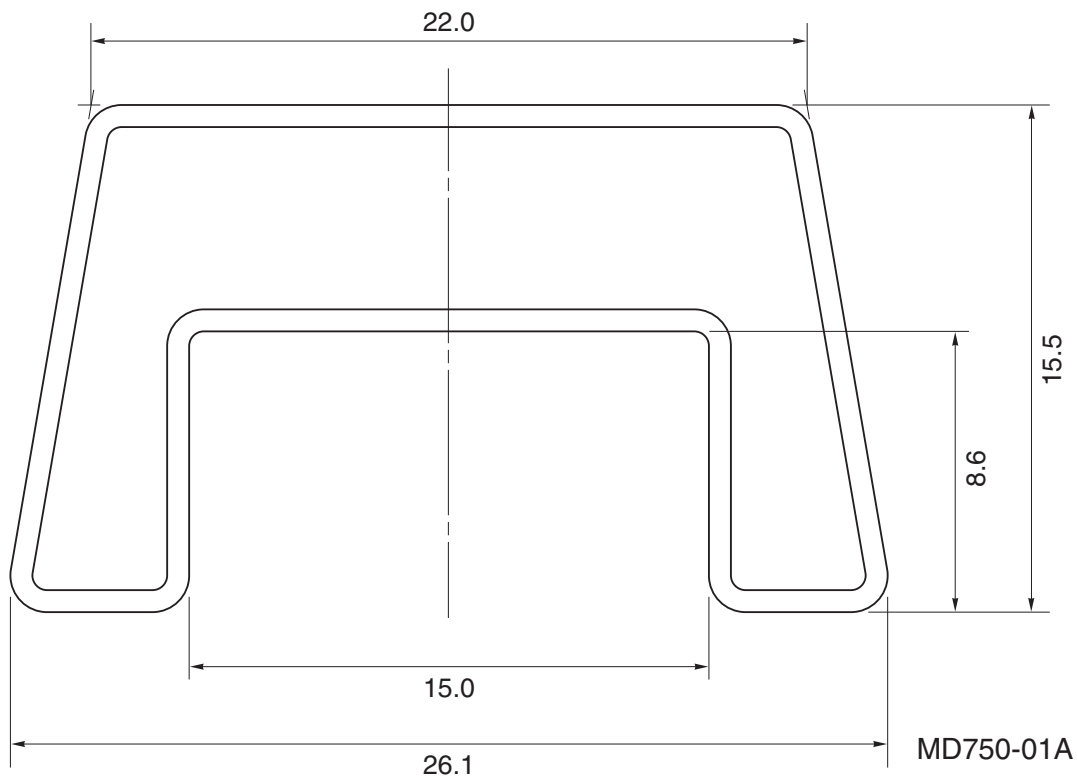


TUBE CONTAINER

UNIT : mm



length : 495 ± 2.0

thickness : $0.7^{+0.3}_{-0.2}$

tolerance : ± 0.4

material : plastic (with antistatic finish)

Applied Package	Quantity (pcs)
64-pin • plastic • shrink DIP	MAX. 8
64-pin • ceramic • shrink DIP (cerdip) (window)	MAX. 8