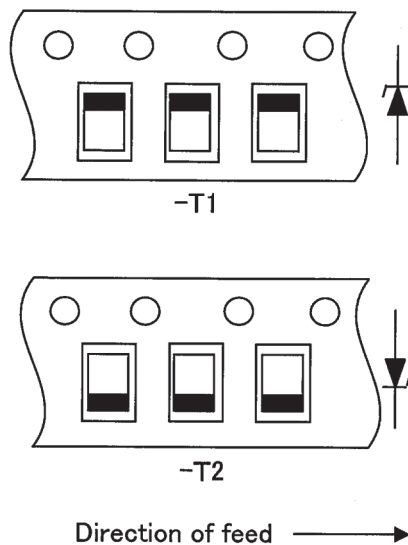
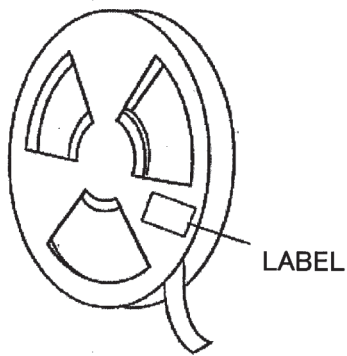


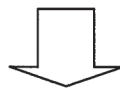
# EMBOSSED TAPE PACKING

## 1. CONTAINER

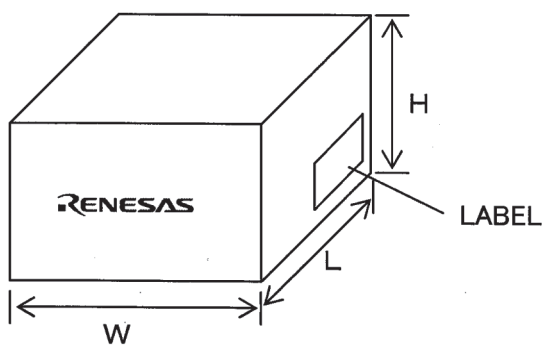


Applied package	Quantity (pcs)
2pin Power Mini Mold	1500

LABEL	PRODUCT NAME QUANTITY, LOT NUMBER CLASS. COUNTRY OF ORIGIN
-------	--



## 2. INNER BOX



Dimension (mm) (W × H × L)	Quantity (Reel)
191 × 150 × 191	MAX. 8

LABEL	PRODUCT NAME QUANTITY, LOT NUMBER CLASS. COUNTRY OF ORIGIN
-------	--