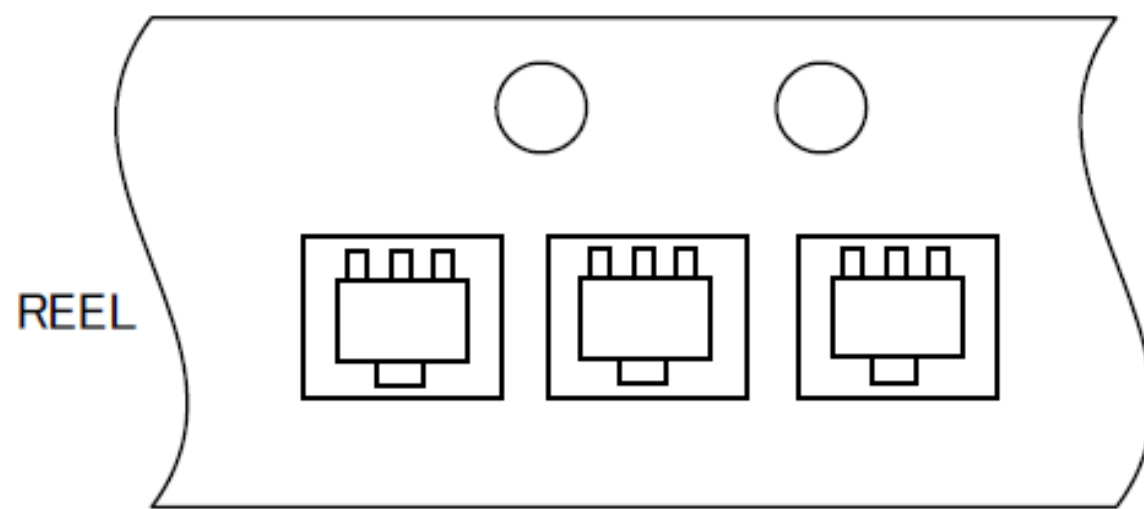
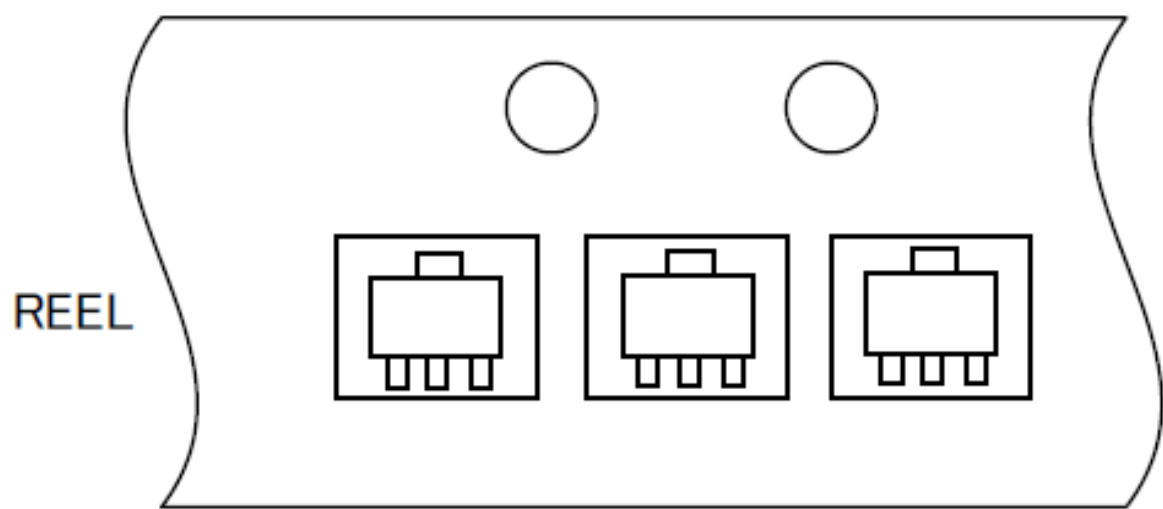
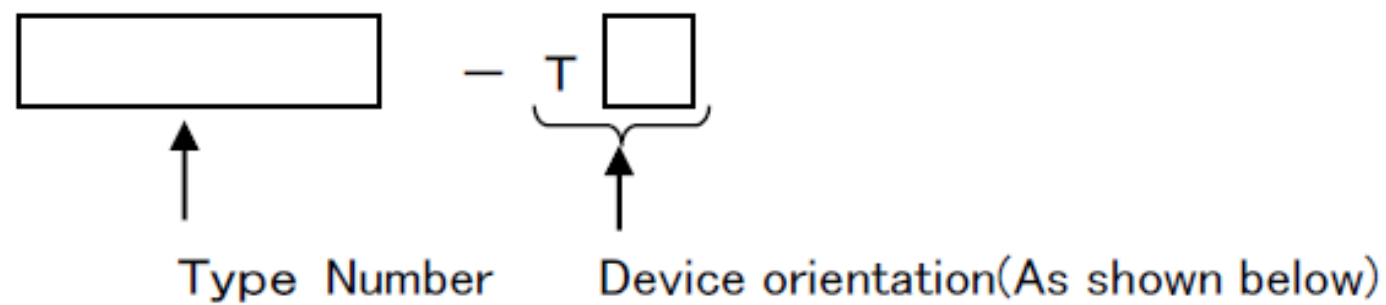


POWER MINI MOLD TAPING SPECIFICATIONS

1. ORDERING INFORMATION



Applied package : Power MiniMold

Quantity : 1000 pcs

Label : Product name、quantity、lot number、class