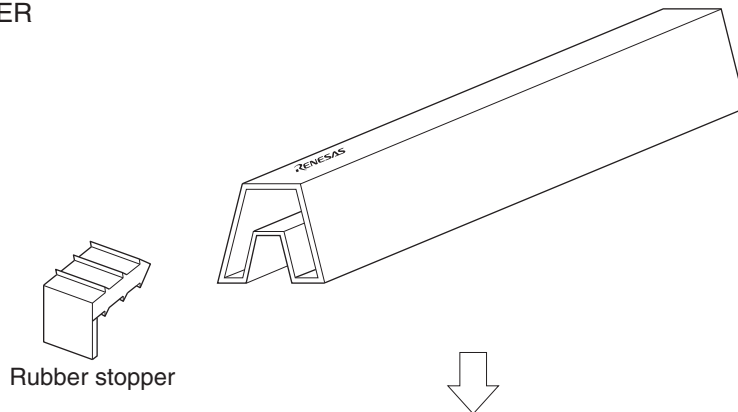
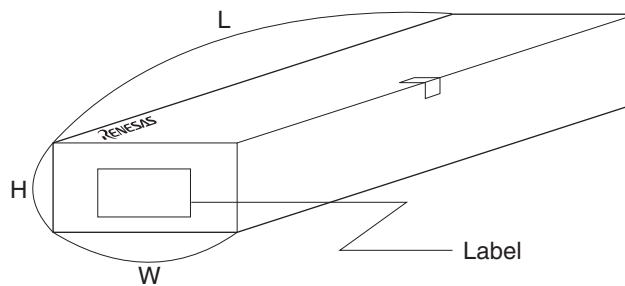


TUBE PACKING

1. CONTAINER



2. INNER BOX



LABEL POSITION	TOP OR SIDE OF BOX
LABEL	PRODUCT NAME, QUANTITY, LOT NUMBER, CLASS

CONTAINER		INNER BOX		
Applied Package	Tube	Quantity (pcs) /tube	Dimension (mm) (WxHxL)	Quantity (pcs) /box
8-pin plastic DIP	MD300-09A	MAX. 50	130x150x510 125x85x515	MAX. 4000 MAX. 2000
8-pin ceramic DIP (cerdip)		MAX. 45	130x150x510 125x85x515	MAX. 3600 MAX. 1800
14-pin ceramic DIP (cerdip)		MAX. 24	130x150x510 125x85x515	MAX. 1920 MAX. 960
16-pin ceramic DIP (cerdip)		MAX. 24	130x150x510 125x85x515	MAX. 1920 MAX. 960
18-pin ceramic DIP (cerdip)		MAX. 20	130x150x510 125x85x515	MAX. 1600 MAX. 800
20-pin ceramic DIP (cerdip)		MAX. 18	130x150x510 125x85x515	MAX. 1440 MAX. 720
24-pin ceramic DIP (cerdip)		MAX. 14	130x150x510 125x85x515	MAX. 1120 MAX. 560