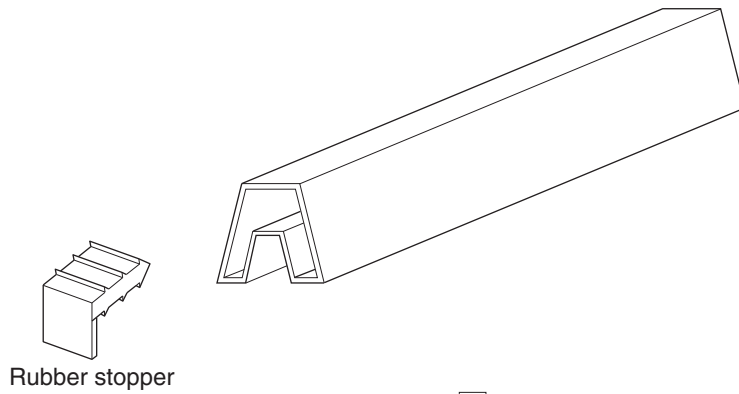
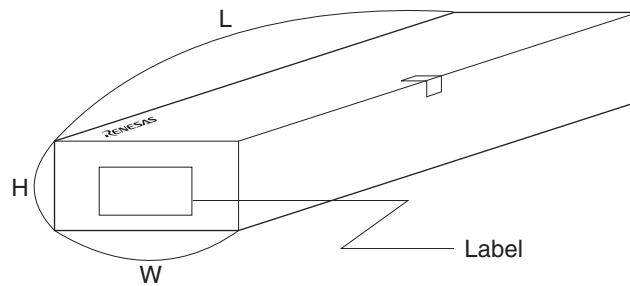


TUBE PACKING

1. CONTAINER



2. INNER BOX



CONTAINER			INNER BOX		
Applied Package	Tube	Quantity (PCS) /Tube	Dimension (mm) (WxHxL)	Quantity (PCS) /Box	Note
64-pin plastic shrink DIP	MD750-01A or LB-010	MAX. 8	125x85x515 130x150x510	MAX. 160 MAX. 320	Packed in bulk
64-pin ceramic shrink DIP (cerdip) (window)		MAX. 8	125x85x515 130x150x510	MAX. 160 MAX. 320	