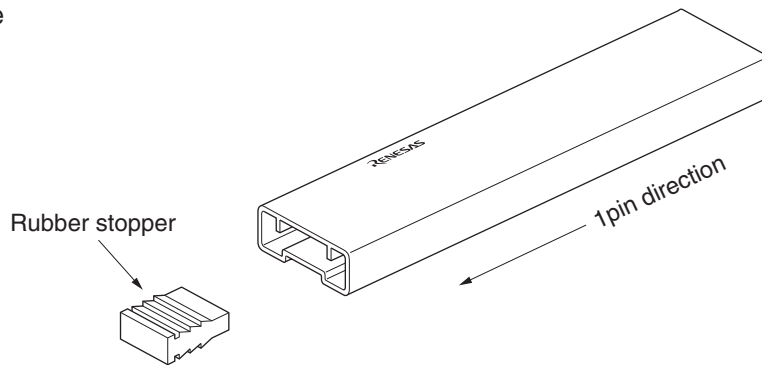


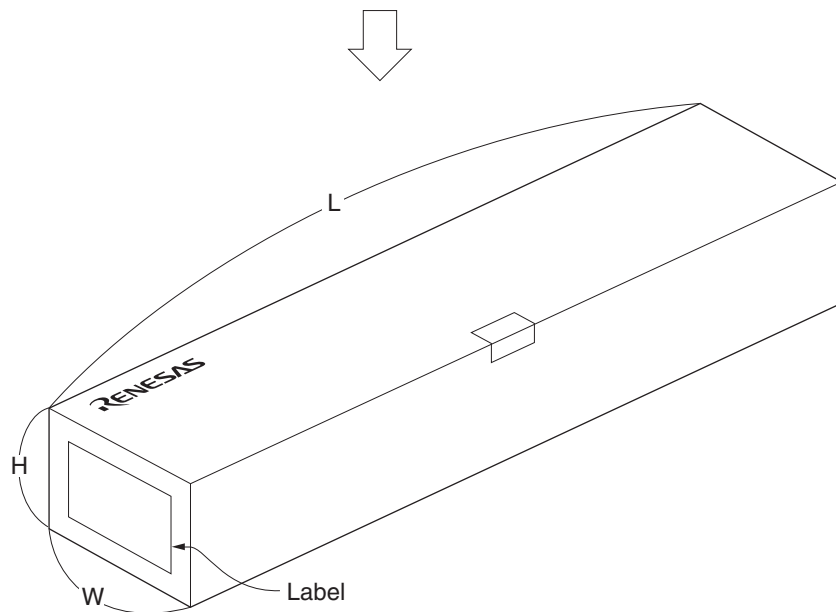
# TUBE PACKING

## 1. CONTAINER

- Magazine



## 2. INNER BOX



| CONTAINER                 |                       |                | INNER BOX                 |                 |  |
|---------------------------|-----------------------|----------------|---------------------------|-----------------|--|
| Applied package           | Tube                  | Quantity (pcs) | Dimension(mm) (W x H x L) | Quantity (tube) | Note   |
| 16-pin-Plastic SOP        | MM375-04A<br>MM375-3A | MAX. 50        | 125 x 85 x 540            | MAX. 50         | Polyethylene bag<br>(50 tubes / bag)           |
| 24-pin-Plastic SOP        |                       | MAX. 33        |                           |                 |  |
| 28-pin-Plastic SOP        |                       | MAX. 28        |                           |                 | Aluminum laminated dry bag<br>(50 tubes / bag) |
| 42-pin-Plastic Shrink SOP |                       | MAX. 28        |                           |                 |  |