

Description

The 1338 is a serial real-time clock (RTC) device that consumes ultra-low power and provides a full binary-coded decimal (BCD) clock/calendar with 56 bytes of battery backed Non-Volatile Static RAM. The clock/calendar provides seconds, minutes, hours, day, date, month, and year information. The clock operates in either the 24-hour or 12-hour format with AM/PM indicator. The end of the month date is automatically adjusted for months with fewer than 31 days, including corrections for leap year. Access to the clock/calendar registers is provided by an I²C interface capable of operating in fast I²C mode. Built-in Power-sense circuitry detects power failures and automatically switches to the backup supply, maintaining time and date operation.

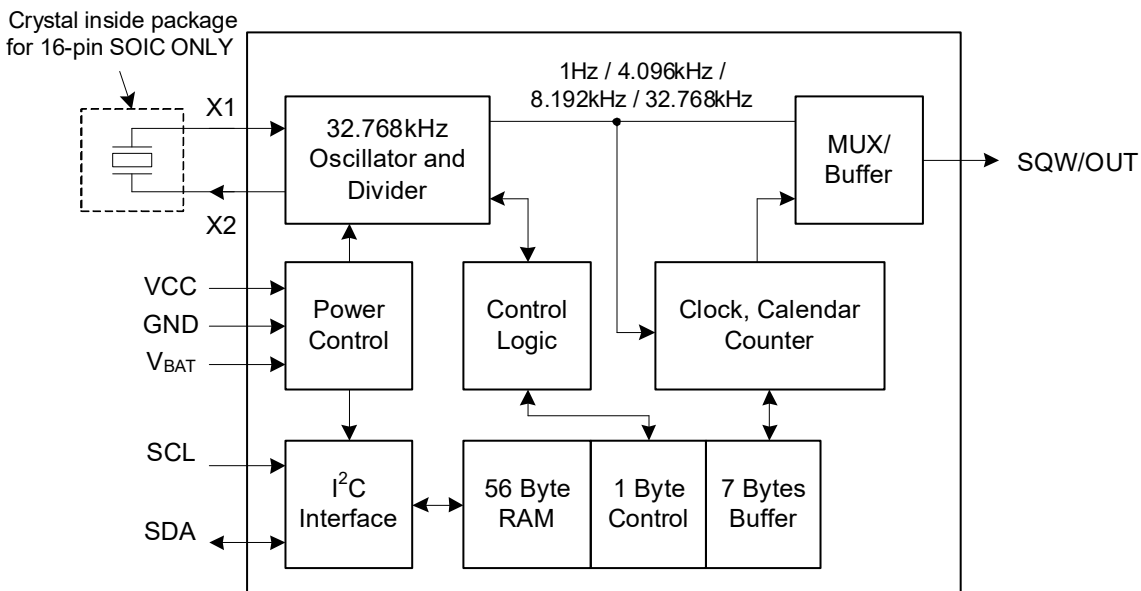
Features

- Real-Time Clock (RTC) counts seconds, minutes, hours, day, date, month, and year with leap-year compensation valid up to 2100
- 56-byte battery-backed Non-Volatile RAM for data storage
- Fast mode I²C serial interface
- Automatic power-fail detect and switch circuitry
- Programmable square-wave output
- Packaged in 8-pin MSOP, 8-pin SOIC, or 16-pin SOIC (surface-mount package with an integrated crystal)
- Industrial temperature range (-40°C to +85°C)

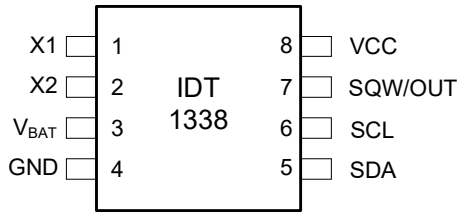
Typical Applications

- Telecom (Routers, Switches, Servers)
- Handheld (GPS, Point of Sale POS Terminals)
- Consumer Electronics (Set-Top Box, Digital Recording, Network Applications, Digital Photo Frames)
- Office (Fax/Printers, Copiers)
- Medical (Glucometer, Medicine Dispensers)
- Other (Thermostats, Vending Machines, Modems, Utility Meters)

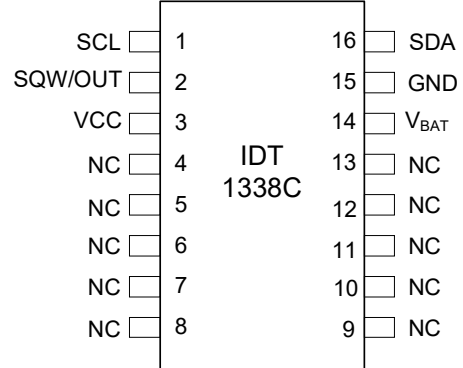
Block Diagram



Pin Assignment (8-pin MSOP/8-pin SOIC)



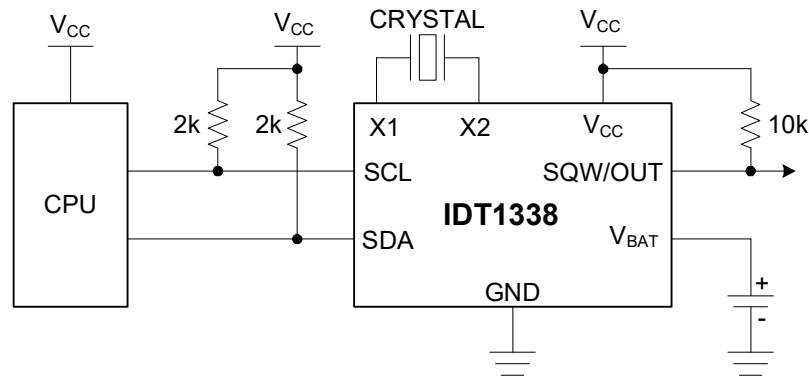
Pin Assignment (16-pin SOIC)



Pin Descriptions

| Pin Number | | Pin Name | Pin Description/Function |
|--------------|--------|------------------|--|
| 8MSOP, 8SOIC | 16SOIC | | |
| 1 | - | X1 | Connections for standard 32.768kHz quartz crystal. The internal oscillator circuitry is designed for operation with a crystal having a specified load capacitance (CL) of 12.5pF. An external 32.768kHz oscillator can also drive the IDT1338. In this configuration, the X1 pin is connected to the external oscillator signal and the X2 pin is left floating. |
| 2 | - | X2 | |
| 3 | 14 | V _{BAT} | Backup Supply Input for Lithium Coin Cell or Other Energy Source. Battery voltage must be held between the minimum and maximum limits for proper operation. Diodes placed in series between the backup source and the V _{BAT} pin may prevent proper operation. If a backup supply is not required, V _{BAT} must be connected to ground. |
| 4 | 15 | GND | Connect to ground. |
| 5 | 16 | SDA | Serial data input/output. SDA is the input/output pin for the I ² C serial interface. It is an open-drain output and requires an external pull-up resistor (2kOhm typical). |
| 6 | 1 | SCL | Serial clock input. SCL is used to synchronize data movement on the serial interface. It is an open-drain output and requires an external pull-up resistor (2kOhm typical) |
| 7 | 2 | SQW/OUT | Square-Wave/Output driver. When enabled and the SQWE bit set to 1, the SQW/OUT pin outputs one of four square-wave frequencies (1Hz, 4kHz, 8kHz, 32kHz). It is an open drain output and requires an external pull-up resistor (10K ohm typical). Operates when the device is powered with VCC or V _{BAT} . |
| 8 | 3 | V _{CC} | Device power supply. When voltage is applied within specified limits, the device is fully accessible by I ² C and data can be written and read. |
| - | 4 – 13 | NC | No connect. These pins are unused and must be connected to ground for proper operation. |

Typical Operating Circuit



Detailed Description

The following sections discuss in detail the Oscillator block, Power Control block, Clock/Calendar Register Block and Serial I²C block.

Oscillator Block

Selection of the right crystal, correct load capacitance and careful PCB layout are important for a stable crystal oscillator. Due to the optimization for the lowest possible current in the design for these oscillators, losses caused by parasitic currents can have a significant impact on the overall oscillator performance. Extra care needs to be taken to maintain a certain quality and cleanliness of the PCB.

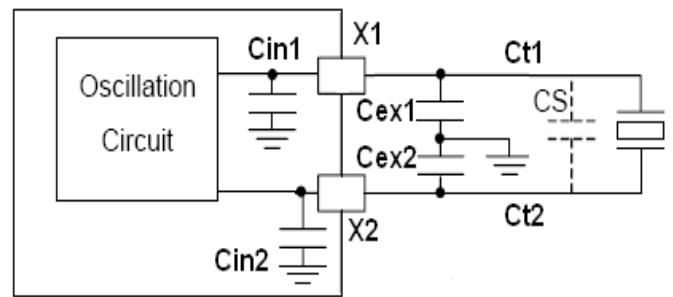
Crystal Selection

The key parameters when selecting a 32 kHz crystal to work with 1338 RTC are:

- Recommended Load Capacitance
- Crystal Effective Series Resistance (ESR)
- Frequency Tolerance

Effective Load Capacitance

Please see diagram below for effective load capacitance calculation. The effective load capacitance (CL) should match the recommended load capacitance of the crystal in order for the crystal to oscillate at its specified parallel resonant frequency with 0ppm frequency error.



$$CL = CS + ((CX1 * CX2) / (CX1 + CX2))$$

$$CX1 = (Cin1 + Cex1 + Ct1)$$

$$CX2 = (Cin2 + Cex2 + Ct2)$$

In the above figure, X1 and X2 are the crystal pins of our device. Cin1 and Cin2 are the internal capacitors which include the X1 and X2 pin capacitance. Cex1 and Cex2 are the external capacitors that are needed to tune the crystal frequency. Ct1 and Ct2 are the PCB trace capacitances between the crystal and the device pins. CS is the shunt capacitance of the crystal (as specified in the crystal manufacturer's datasheet or measured using a network analyzer). Cex1 and Cex2 are not needed if the crystal circuit uses the recommended crystal with specified load capacitance (CL) of 12.5pF.

Note: 1338CSRI integrates a standard 32.768 kHz crystal in the package and contributes an additional frequency error of 10ppm at nominal V_{CC} (+3.3 V) and T_A = +25°C.

ESR (Effective Series Resistance)

Choose the crystal with lower ESR. A low ESR helps the crystal to start up and stabilize to the correct output frequency faster compared to high ESR crystals.

Frequency Tolerance

The frequency tolerance for 32kHz crystals should be specified at nominal temperature (+25°C) on the crystal manufacturer datasheet. The crystals used with 1338 typically have a frequency tolerance of ±20ppm at +25°C.

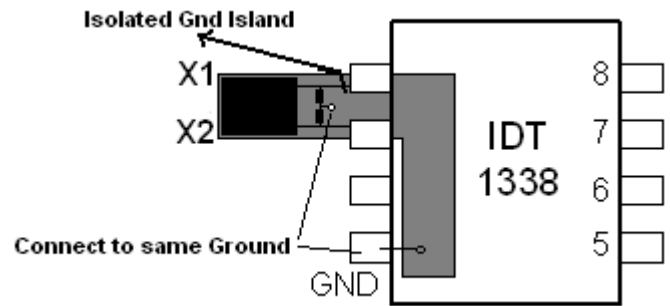
Specifications for a typical 32kHz crystal used with our device are shown in the table below.

| Parameter | Symbol | Min | Typ | Max | Units |
|-------------------|--------|-----|--------|-----|-------|
| Nominal Freq. | f_o | | 32.768 | | kHz |
| Series Resistance | ESR | | | 110 | kΩ |
| Load Capacitance | C_L | | 12.5 | | pF |

PCB Design Consideration

- Signal traces between the device pins and the crystal must be kept as short as possible. This minimizes parasitic capacitance and sensitivity to crosstalk and EMI. Note that the trace capacitances play a role in the effective crystal load capacitance calculation.
- Data lines and frequently switching signal lines should be routed as far away from the crystal connections as possible. Crosstalk from these signals may disturb the oscillator signal.
- Reduce the parasitic capacitance between X1 and X2 signals by routing them as far apart as possible.
- The oscillation loop current flows between the crystal and the load capacitors. This signal path (crystal to CL1 to CL2 to crystal) should be kept as short as possible and ideally be symmetric. The ground connections for both capacitors should be as close together as possible. Never route the ground connection between the capacitors all around the crystal, because this long ground trace is sensitive to crosstalk and EMI.
- To reduce the radiation / coupling from oscillator circuit, an isolated ground island on the GND layer could be made. This ground island can be connected at one point to the GND layer. This helps to keep noise generated by the oscillator circuit locally on this separated island. The ground connections for the load capacitors and the oscillator should be connected to this island.

PCB Layout



PCB Assembly, Soldering and Cleaning

Board-assembly production process and assembly quality can affect the performance of the 32kHz oscillator. Depending on the flux material used, the soldering process can leave critical residues on the PCB surface. High humidity and fast temperature cycles that cause humidity condensation on the printed circuit board can create process residuals. These process residuals cause the insulation of the sensitive oscillator signal lines towards each other and neighboring signals on the PCB to decrease. High humidity can lead to moisture condensation on the surface of the PCB and, together with process residuals, reduce the surface resistivity of the board. Flux residuals on the board can cause leakage current paths, especially in humid environments. Thorough PCB cleaning is therefore highly recommended in order to achieve maximum performance by removing flux residuals from the board after assembly. In general, reduction of losses in the oscillator circuit leads to better safety margin and reliability.

Power Control

A precise, temperature-compensated voltage reference and a comparator circuit provides power-control function that monitors the V_{CC} level. The device is fully accessible and data can be written and read when V_{CC} is greater than V_{PF} . However, when V_{CC} falls below V_{PF} , the internal clock registers are blocked from any access. If V_{PF} is less than V_{BAT} , the device power is switched from V_{CC} to V_{BAT} when V_{CC} drops below V_{PF} . If V_{PF} is greater than V_{BAT} , the device power is switched from V_{CC} to V_{BAT} when V_{CC} drops below V_{BAT} . The registers are maintained from the V_{BAT} source until V_{CC} is returned to nominal levels (Table 1). After V_{CC} returns above V_{PF} , read and write access is allowed after t_{REC} (see the “Power-Up/Down Timing” diagram).

Table 1. Power Control

| Supply Condition | Read/Write Access | Powered By |
|--|-------------------|------------|
| $V_{CC} < V_{PF}$, $V_{CC} < V_{BAT}$ | No | V_{BAT} |
| $V_{CC} < V_{PF}$, $V_{CC} > V_{BAT}$ | No | V_{CC} |
| $V_{CC} > V_{PF}$, $V_{CC} < V_{BAT}$ | Yes | V_{CC} |
| $V_{CC} > V_{PF}$, $V_{CC} > V_{BAT}$ | Yes | V_{CC} |

Power-up/down Timing

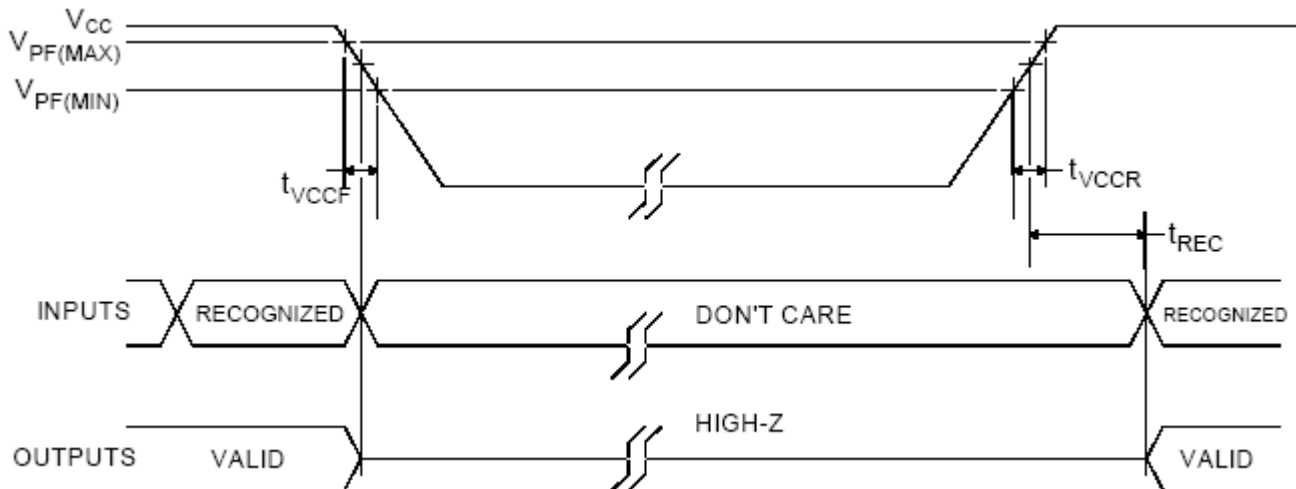


Table 2. Power-up/down Characteristics

Ambient Temperature -40 to +85°C

| Parameter | Symbol | Conditions | Min. | Typ. | Max. | Unit |
|--|------------|------------------|------|------|------|---------|
| Recovery at Power-up | t_{REC} | (Note 1) | - | - | 2 | ms |
| V_{CC} Fall Time; $V_{PF(MAX)}$ to $V_{PF(MIN)}$ | t_{VCCF} | 1338-18 (Note 2) | 3 | - | - | ms |
| | | 1338-31 (Note 2) | 3 | - | - | ms |
| V_{CC} Rise Time; $V_{PF(MIN)}$ to $V_{PF(MAX)}$ | t_{VCCR} | - | 0 | - | - | μ s |

Note 1: This delay applies only if the oscillator is running. If the oscillator is disabled or stopped, no power-up delay occurs.

Note 2: Measured at typical V_{BAT} level.

RTC and RAM Address Map

The address map for the RTC and RAM registers shown in Table 3. The RTC registers and control register are located in address locations 00H to 07H. The RAM registers are located in address locations 08H to 3FH. During a multibyte access, when the register pointer reaches 3FH (the end of RAM space) it wraps around to location 00H (the beginning of the clock space). On an I²C START, STOP, or register pointer incrementing to location 00H, the current time and date is transferred to a second set of registers. The time and date in the secondary registers are read in a multibyte data transfer, while the clock continues to run. This eliminates the need to re-read the registers in case of an update of the main registers during a read.

Table 3. RTC and RAM Address Map

| Address | Bit 7 | Bit 6 | Bit 5 | Bit 4 | Bit 3 | Bit 2 | Bit 1 | Bit 0 | Function | Range |
|--------------|---------|------------|---------|----------|---------|-------|-------|-------|------------|------------------------------|
| 00H | CH | 10 seconds | | | Seconds | | | | Seconds | 00 - 59 |
| 01H | 0 | 10 minutes | | | Minutes | | | | Minutes | 00 - 59 |
| 02H | 0 | 12/24 | AM/PM | 10 hour | Hour | | | | Hours | 1 - 12 + AM/PM 00 - 23 |
| | | | 10 hour | | | | | | | |
| 03H | 0 | 0 | 0 | 0 | 0 | Day | | | Day | 1 - 7 |
| 04H | 0 | 0 | 10 date | | Date | | | | Date | 01 - 31 |
| 05H | 0 | 0 | 0 | 10 month | Month | | | | Month | 01 - 12 |
| 06H | 10 year | | | | Year | | | | Year | 00 - 99 |
| 07H | OUT | 0 | OSF | SQWE | 0 | 0 | RS1 | RS0 | Control | |
| 08H - 3FH | | | | | | | | | RAM 56 x 8 | 00H - FFH |

Note: Bits listed as “0” should always be written and read as 0.

Clock and Calendar

Table 3 shows the address map of the RTC registers. The time and date information is obtained by reading the appropriate register bytes. The time and calendar are set or initialized by writing the appropriate register bytes. The contents of the time and calendar registers are in the BCD format. Bit 7 of Register 0 is the clock halt (CH) bit. When this bit is set to 1, the oscillator is disabled. When cleared to 0, the oscillator is enabled. The clock can be halted whenever the timekeeping functions are not required, which decreases V_{BAT} current.

The day-of-week register increments at midnight. Values that correspond to the day of week are user-defined but must be sequential (i.e., if 1 equals Sunday, then 2 equals Monday, and so on). Illogical time and date entries result in undefined operation.

When reading or writing the time and date registers, secondary (user) buffers are used to prevent errors when the internal registers update. When reading the time and date registers, the user buffers are synchronized to the internal registers on any start or stop, and when the address pointer rolls over to zero.

The countdown chain is reset whenever the seconds register is written. Write transfers occurs on the acknowledge pulse from the device. To avoid rollover issues, once the countdown chain is reset, the remaining time and date registers must be written within one second. If enabled, the 1Hz square-wave output transitions high 500ms after the seconds data transfer, provided the oscillator is already running.

Note that the initial power-on state of all registers, unless otherwise specified, is not defined. Therefore, it is important to enable the oscillator (CH = 0) during initial configuration.

The IDT1338 runs in either 12-hour or 24-hour mode. Bit 6 of the hours register is defined as the 12-hour or 24-hour mode-select bit. When high, the 12-hour mode is selected. In the 12-hour mode, bit 5 is the AM/PM bit, with logic high being PM. In the 24-hour mode, bit 5 is the second 10-hour bit (20–23 hours). If the 12/24-hour mode select is changed, the hours register must be re-initialized to the new format.

On an I²C START, the current time is transferred to a second set of registers. The time information is read from these secondary registers, while the clock continues to run. This eliminates the need to re-read the registers in case of an update of the main registers during a read.

Table 4. Control Register (07H)

The control register controls the operation of the SQW/OUT pin and provides oscillator status.

| Bit # | Bit 7 | Bit 6 | Bit 5 | Bit 4 | Bit 3 | Bit 2 | Bit 1 | Bit 0 |
|-------|-------|-------|-------|-------|-------|-------|-------|-------|
| Name | OUT | 0 | OSF | SQWE | 0 | 0 | RS1 | RS0 |
| POR | 1 | 0 | 1 | 1 | 0 | 0 | 1 | 1 |

Bit 7: Output Control (OUT). Controls the output level of the SQW/OUT pin when the square-wave output is disabled. If SQWE = 0, the logic level on the SQW/OUT pin is 1 if OUT = 1; it is 0 if OUT = 0.

Bit 5: Oscillator Stop Flag (OSF). A logic 1 in this bit indicates that the oscillator has stopped or was stopped for some time period and can be used to judge the validity of the clock and calendar data. This bit is edge triggered, and is set to logic 1 when the internal circuitry senses the oscillator has transitioned from a normal run state to a STOP condition. The following are examples of conditions that may cause the OSF bit to be set:

- 1) The first time power is applied.
- 2) The voltage present on VCC and VBAT are insufficient to support oscillation.
- 3) The CH bit is set to 1, disabling the oscillator.
- 4) External influences on the crystal (i.e., noise, leakage, etc.).

This bit remains at logic 1 until written to logic 0. This bit can only be written to logic 0. Attempting to write OSF to logic 1 leaves the value unchanged.

Bit 4: Square-Wave Enable (SQWE). When set to logic 1, this bit enables the oscillator output to operate with either VCC or V_{BAT} applied. The frequency of the square-wave output depends upon the value of the RS0 and RS1 bits.

Bits 1 and 0: Rate Select (RS1 and RS0). These bits control the frequency of the square-wave output when the square-wave output has been enabled. The table below lists the square-wave frequencies that can be selected with the RS bits.

Table 5. Square Wave Output

| OUT | RS1 | RS0 | SQW Output | SQWE |
|-----|-----|-----|------------|------|
| X | 0 | 0 | 1Hz | 1 |
| X | 0 | 1 | 4.096kHz | 1 |
| X | 1 | 0 | 8.192kHz | 1 |
| X | 1 | 1 | 32.768kHz | 1 |
| 0 | X | X | 0 | 0 |
| 1 | X | X | 1 | 0 |

I²C Serial Data Bus

The 1338 supports the I²C bus protocol. A device that sends data onto the bus is defined as a transmitter and a device receiving data as a receiver. The device that controls the message is called a master. The devices that are controlled by the master are referred to as slaves. The bus must be controlled by a master device that generates the serial clock (SCL), controls the bus access, and generates the START and STOP conditions. The 1338 operates as a slave on the I²C bus. Within the bus specifications, a standard mode (100kHz maximum clock rate) and a fast mode (400kHz maximum clock rate) are defined. The 1338 works in both modes. Connections to the bus are made via the open-drain I/O lines SDA and SCL.

The following bus protocol has been defined (see the “Data Transfer on I²C Serial Bus” figure):

- Data transfer may be initiated only when the bus is not busy.
- During data transfer, the data line must remain stable whenever the clock line is HIGH. Changes in the data line while the clock line is HIGH are interpreted as control signals.

Accordingly, the following bus conditions have been defined:

Bus not busy: Both data and clock lines remain HIGH.

Start data transfer: A change in the state of the data line, from HIGH to LOW, while the clock is HIGH, defines a START condition.

Stop data transfer: A change in the state of the data line, from LOW to HIGH, while the clock line is HIGH, defines the STOP condition.

Data valid: The state of the data line represents valid data when, after a START condition, the data line is stable for the duration of the HIGH period of the clock signal. The data on the line must be changed during the LOW period of the clock signal. There is one clock pulse per bit of data.

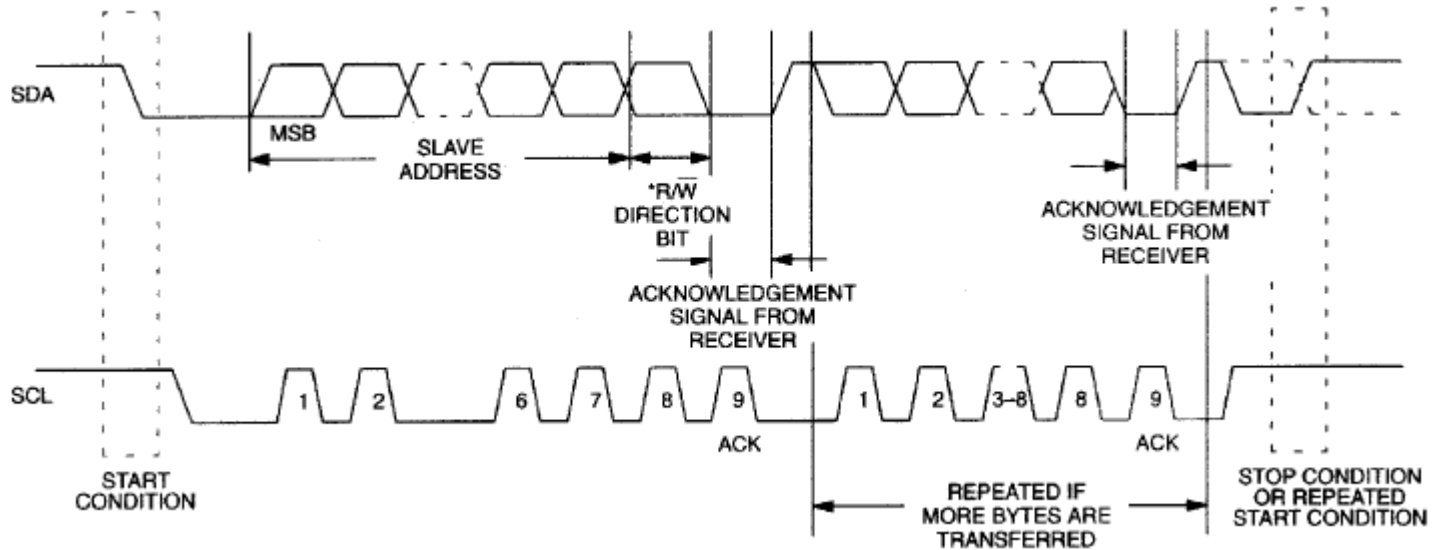
Each data transfer is initiated with a START condition and terminated with a STOP condition. The number of data bytes transferred between START and STOP conditions is not limited, and is determined by the master device. The information is transferred byte-wise and each receiver acknowledges with a ninth bit.

Acknowledge: Each receiving device, when addressed, is obliged to generate an acknowledge after the reception of each byte. The master device must generate an extra clock pulse that is associated with this acknowledge bit.

A device that acknowledges must pull down the SDA line during the acknowledge clock pulse in such a way that the SDA line is stable LOW during the HIGH period of the acknowledge related clock pulse. Of course, setup and hold times must be taken into account. A master must signal an end of data to the slave by not generating an acknowledge bit on the last byte that has been clocked out of the slave. In this case, the slave must leave the data line HIGH to enable the master to generate the STOP condition.

Timeout: Timeout is where a slave device resets its interface whenever Clock goes low for longer than the timeout, which is typically 35msec. This added logic deals with slave errors and recovering from those errors. When timeout occurs, the slave interface should re-initialize itself and be ready to receive a communication from the master, but it will expect a Start prior to any new communication.

Data Transfer on I²C Serial Bus



Depending upon the state of the $\overline{R/W}$ bit, two types of data transfer are possible:

1) **Data transfer from a master transmitter to a slave receiver.** The first byte transmitted by the master is the slave address. Next follows a number of data bytes. The slave returns an acknowledge bit after each received byte. Data is transferred with the most significant bit (MSB) first.

2) **Data transfer from a slave transmitter to a master receiver.** The first byte (the slave address) is transmitted by the master. The slave then returns an acknowledge bit. This is followed by the slave transmitting a number of data bytes. The master returns an acknowledge bit after all received bytes other than the last byte. At the end of the last received byte, a “not acknowledge” is returned. The master device generates all of the serial clock pulses and the START and STOP conditions. A transfer is ended with a STOP condition or with a repeated START condition. Since a repeated START condition is also the beginning of the next serial transfer, the bus is not released. Data is transferred with the most significant bit (MSB) first.

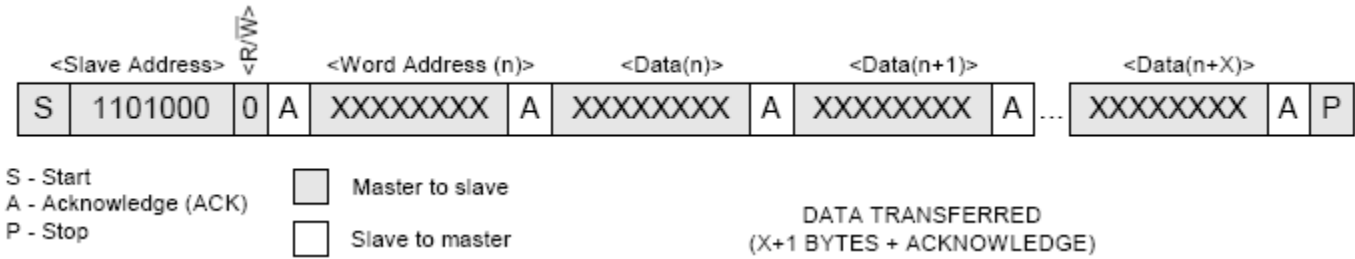
The 1338 can operate in the following two modes:

1) **Slave Receiver Mode (Write Mode):** Serial data and clock are received through SDA and SCL. After each byte is received an acknowledge bit is transmitted. START and STOP conditions are recognized as the beginning and end of a serial transfer. Address recognition is performed by hardware after reception of the slave address and direction bit (see the “Data Write–Slave Receiver Mode” figure). The slave address byte is the first byte received after the START condition is generated by the master. The slave address byte contains the 7-bit

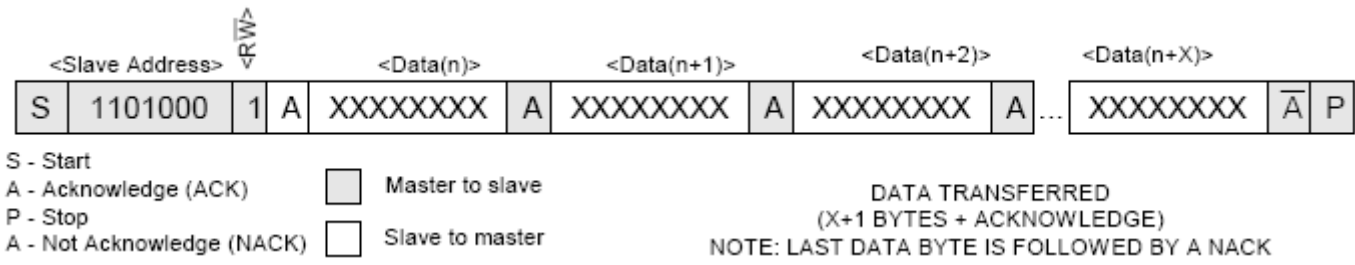
1338 address, which is 1101000, followed by the direction bit ($\overline{R/W}$), which is 0 for a write. After receiving and decoding the slave address byte the slave outputs an acknowledge on the SDA line. After the 1338 acknowledges the slave address + write bit, the master transmits a register address to the 1338. This sets the register pointer on the 1338, with the 1338 acknowledging the transfer. The master may then transmit zero or more bytes of data, with the 1338 acknowledging each byte received. The address pointer increments after each data byte is transferred. The master generates a STOP condition to terminate the data write.

2) **Slave Transmitter Mode (Read Mode):** The first byte is received and handled as in the slave receiver mode. However, in this mode, the direction bit indicates that the transfer direction is reversed. Serial data is transmitted on SDA by the 1338 while the serial clock is input on SCL. START and STOP conditions are recognized as the beginning and end of a serial transfer (see the “Data Read–Slave Transmitter Mode” figure). The slave address byte is the first byte received after the START condition is generated by the master. The slave address byte contains the 7-bit 1338 address, which is 1101000, followed by the direction bit ($\overline{R/W}$), which is 1 for a read. After receiving and decoding the slave address byte the slave outputs an acknowledge on the SDA line. The 1338 then begins to transmit data starting with the register address pointed to by the register pointer. If the register pointer is not written to before the initiation of a read mode the first address that is read is the last one stored in the register pointer. The address pointer is incremented after each byte is transferred. The 1338 must receive a “not acknowledge” to end a read.

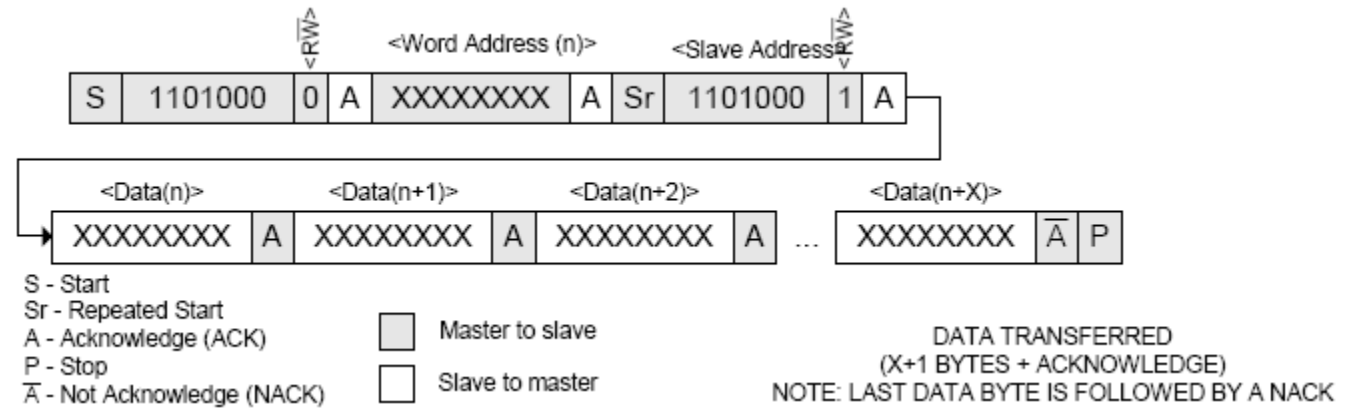
Data Write – Slave Receiver Mode



Data Read (from current Pointer location) – Slave Transmitter Mode



Data Read (Write Pointer, then Read) – Slave Receive and Transmit



Handling, PCB Layout, and Assembly

The IDT1338 package contains a quartz tuning-fork crystal. Pick-and-place equipment may be used, but precautions should be taken to ensure that excessive shocks are avoided. Ultrasonic cleaning equipment should be avoided to prevent damage to the crystal.

Avoid running signal traces under the package, unless a ground plane is placed between the package and the signal line. All NC (no connect) pins must be connected to ground.

Moisture-sensitive packages are shipped from the factory dry-packed. Handling instructions listed on the package label must be followed to prevent damage during re-flow. Refer to the IPC/JEDEC J-STD-020 standard for moisture-sensitive device (MSD) classifications.

Absolute Maximum Ratings

Stresses above the ratings listed below can cause permanent damage to the 1338. These ratings, which are standard values for Renesas commercially rated parts, are stress ratings only. Functional operation of the device at these or any other conditions above those indicated in the operational sections of the specifications is not implied. Exposure to absolute maximum rating conditions for extended periods can affect product reliability. Electrical parameters are guaranteed only over the recommended operating temperature range.

| Item | Rating |
|---|----------------|
| Voltage Range on Any Pin Relative to Ground | -0.3V to +6.0V |
| Storage Temperature | -55 to +125°C |
| Soldering Temperature | 260°C |

Recommended DC Operating Conditions

($V_{CC} = V_{CC(MIN)}$ to $V_{CC(MAX)}$, $T_A = -40^{\circ}\text{C}$ to $+85^{\circ}\text{C}$, unless otherwise noted. Typical values are at $V_{CC} = 3.3\text{V}$, $T_A = +25^{\circ}\text{C}$, unless otherwise noted.) (Note 1)

| Parameter | Symbol | Min. | Typ. | Max. | Unit |
|--|-----------|-------------|------|----------------|------|
| Ambient Operating Temperature | T_A | -40 | - | +85 | °C |
| V_{BAT} Input Voltage, Note 2 | V_{BAT} | 1.3 | 3.0 | 3.7 | - |
| Pull-up Resistor Voltage (SQW/OUT), Note 2 | V_{PU} | - | - | 5.5 | V |
| Logic 1, Note 2 | V_{IH} | $0.8V_{CC}$ | - | $V_{CC} + 0.3$ | V |
| Logic 0, Note 2 | V_{IL} | -0.3 | - | $+0.2V_{CC}$ | V |
| Supply Voltage | | | | | |
| 1338-18 | V_{CC} | V_{PF} | 1.8 | 5.5 | V |
| 1338-31 | | V_{PF} | 3.3 | 5.5 | |
| Power Fail Voltage | | | | | |
| 1338-18 | V_{PF} | 1.40 | 1.62 | 1.71 | V |
| 1338-31 | | 2.45 | 2.7 | 2.97 | |

DC Electrical Characteristics

($V_{CC} = V_{CC(MIN)}$ to $V_{CC(MAX)}$, $T_A = -40^{\circ}\text{C}$ to $+85^{\circ}\text{C}$, unless otherwise noted. Typical values are at $V_{CC} = 3.3\text{V}$, $T_A = +25^{\circ}\text{C}$, unless otherwise noted.) (Note 1)

| Parameter | Symbol | Conditions | Min. | Typ. | Max. | Unit |
|--|--------------|---|------|------|------|---------------|
| Input Leakage | I_{LI} | Note 3 | - | - | 1 | μA |
| I/O Leakage | I_{LO} | Note 4 | - | - | 1 | μA |
| SDA Logic 0 Output | I_{OLSDA} | $V_{CC} > 2\text{V}; V_{OL} = 0.4\text{V}$ | - | - | 3.0 | mA |
| | | $V_{CC} < 2\text{V}; V_{OL} = 0.2V_{CC}$ | - | - | 3.0 | |
| SQW/OUT Logic 0 Output | I_{OLSQW} | $V_{CC} > 2\text{V}; V_{OL} = 0.4\text{V}$ | - | - | 3.0 | mA |
| | | $1.71\text{V} < V_{CC} < 2\text{V}; V_{OL} = 0.2V_{CC}$ | - | - | 3.0 | |
| | | $1.3\text{V} < V_{CC} < 1.71\text{V}; V_{OL} = 0.2V_{CC}$ | - | - | 250 | μA |
| Active Supply Current (Note 5) | I_{CCA} | 1338-18 | - | 7.5 | 15 | μA |
| | | - | - | | | |
| | | $1338-31; V_{CC} \leq 3.63\text{V}$ | - | 12 | 20 | |
| | | $1338-31; 3.63\text{V} < V_{CC} \leq 5.5\text{V}$ | - | 14 | 25 | |
| Standby Current (Note 6) | I_{CCS} | 1338-18 | - | 1 | 2 | μA |
| | | - | - | | | |
| | | $1338-31; V_{CC} \leq 3.63\text{V}$ | - | 1 | 2 | |
| | | $1338-31; 3.63\text{V} < V_{CC} \leq 5.5\text{V}$ | - | 2 | 5 | |
| V_{BAT} Leakage Current (V_{CC} Active) | I_{BATLKG} | - | - | 25 | 100 | nA |

DC Electrical Characteristics

($V_{CC} = 0\text{V}$, $T_A = -40^{\circ}\text{C}$ to $+85^{\circ}\text{C}$, unless otherwise noted. Typical values are at $V_{BAT} = 3.0\text{V}$, $T_A = +25^{\circ}\text{C}$, unless otherwise noted.) (Note 1)

| Parameter | Symbol | Conditions | Min. | Typ. | Max. | Unit |
|---|---------------|------------|------|------|------|------|
| V_{BAT} Current (OSC ON); $V_{BAT} = 3.7\text{V}$, SQW/OUT OFF | $I_{BATOSC1}$ | Note 7 | - | 800 | 1200 | nA |
| V_{BAT} Current (OSC ON); $V_{BAT} = 3.7\text{V}$, SQW/OUT ON | $I_{BATOSC2}$ | Note 7 | - | 1025 | 1400 | nA |
| V_{BAT} Data-Retention Current (OSC OFF); $V_{BAT} = 3.7\text{V}$ | I_{BATDAT} | Note 7 | - | 120 | 300 | nA |

AC Electrical Characteristics

($V_{CC} = V_{CC(MIN)}$ to $V_{CC(MAX)}$, $T_A = -40^{\circ}\text{C}$ to $+85^{\circ}\text{C}$) (Note 1)

| Parameter | Symbol | Conditions | Min. | Typ. | Max. | Unit |
|--|--------------|---------------|---------------|------|------|---------------|
| SCL Clock Frequency | f_{SCL} | Fast Mode | 100 | - | 400 | kHz |
| | | Standard Mode | 0 | - | 100 | |
| Bus Free Time Between a STOP and START Condition | t_{BUF} | Fast Mode | 1.3 | - | - | μs |
| | | Standard Mode | 4.7 | - | - | |
| Hold Time (Repeated) START Condition, Note 8 | $t_{HD:STA}$ | Fast Mode | 0.6 | - | - | μs |
| | | Standard Mode | 4.0 | - | - | |
| Low Period of SCL Clock | t_{LOW} | Fast Mode | 1.3 | - | - | μs |
| | | Standard Mode | 4.7 | - | - | |
| High Period of SCL Clock | t_{HIGH} | Fast Mode | 0.6 | - | - | μs |
| | | Standard Mode | 4.0 | - | - | |
| Setup Time for a Repeated START Condition | $t_{SU:STA}$ | Fast Mode | 0.6 | - | - | μs |
| | | Standard Mode | 4.7 | - | - | |
| Data Hold Time (Notes 9, 10) | $t_{HD:DAT}$ | Fast Mode | 0 | - | 0.9 | μs |
| | | Standard Mode | 0 | - | - | |
| Data Setup Time (Note 11) | $t_{SU:DAT}$ | Fast Mode | 100 | - | - | ns |
| | | Standard Mode | 250 | - | - | |
| Rise Time of Both SDA and SCL Signals (Note 12) | t_R | Fast Mode | $20 + 0.1C_B$ | - | 300 | ns |
| | | Standard Mode | - | - | 1000 | |
| Fall Time of Both SDA and SCL Signals (Note 12) | t_F | Fast Mode | $20 + 0.1C_B$ | - | 300 | ns |
| | | Standard Mode | - | - | 300 | |
| Setup Time for STOP Condition | $t_{SU:STO}$ | Fast Mode | 0.6 | - | - | μs |
| | | Standard Mode | 4.0 | - | - | |
| Capacitive Load for Each Bus Line (Note 12) | C_B | - | - | - | 400 | pF |
| I/O Capacitance (SDA, SCL) | $C_{I/O}$ | Note 13 | - | - | 10 | pF |
| Oscillator Stop Flag (OSF) Delay | t_{OSF} | Note 14 | - | 100 | - | ms |

WARNING: Negative undershoots below -0.3V while the device is in battery-backed mode may cause loss of data.

Note 1: Limits at -40°C are guaranteed by design and are not production tested.

Note 2: All voltages referenced to ground.

Note 3: SCL only.

Note 4: SDA and SQW/OUT.

Note 5: I_{CCA} —SCL clocking at max frequency = 400kHz.

Note 6: Specified with the I²C bus inactive.

Note 7: Measured with a 32.768kHz crystal on X1 and X2.

Note 8: After this period, the first clock pulse is generated.

Note 9: A device must internally provide a hold time of at least 300ns for the SDA signal (referred to the V_{IHMIN} of the SCL signal) to bridge the undefined region of the falling edge of SCL.

Note 10: The maximum $t_{HD:DAT}$ need only be met if the device does not stretch the LOW period (t_{LOW}) of the SCL signal.

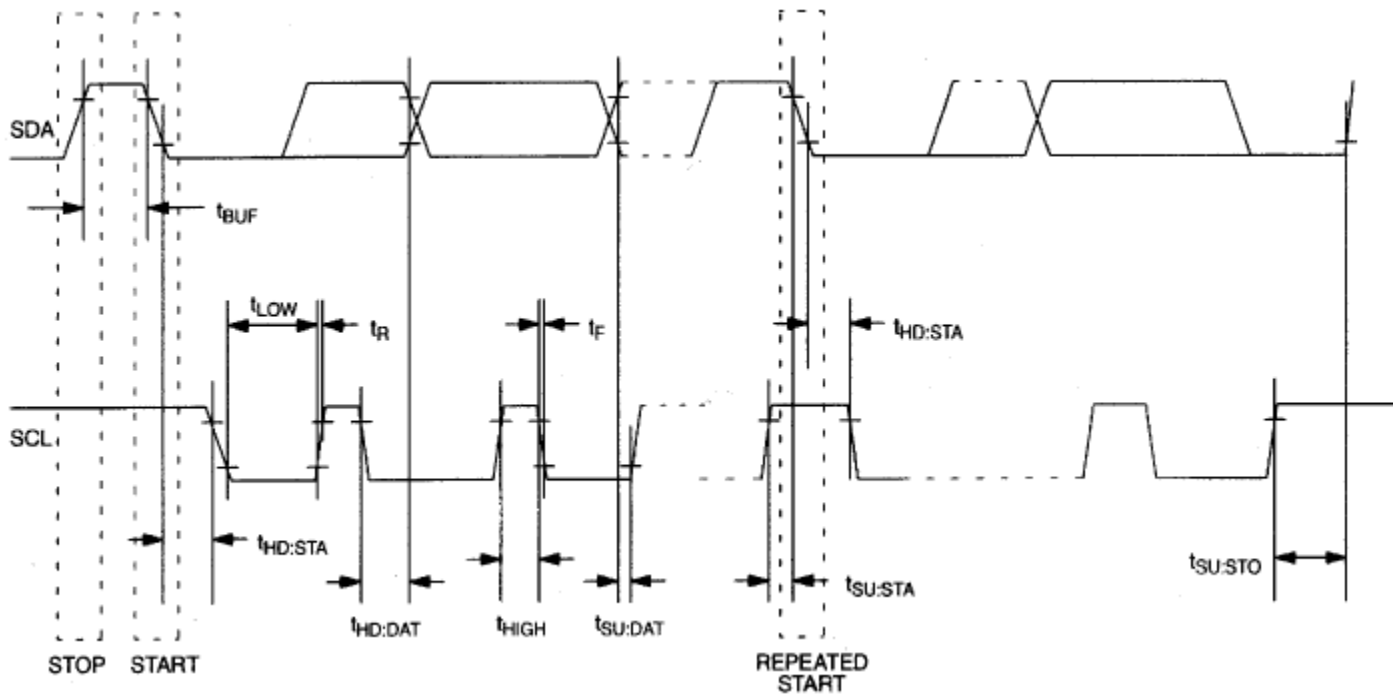
Note 11: A fast-mode device can be used in a standard-mode system, but the requirement $t_{SU:DAT} \geq 250\text{ns}$ must then be met. This is automatically the case if the device does not stretch the LOW period of the SCL signal. If such a device does stretch the LOW period of the SCL signal, it must output the next data bit to the SDA line $t_{R(MAX)} + t_{SU:DAT} = 1000 + 250 = 1250\text{ ns}$ before the SCL line is released.

Note 12: C_B —total capacitance of one bus line in pF.

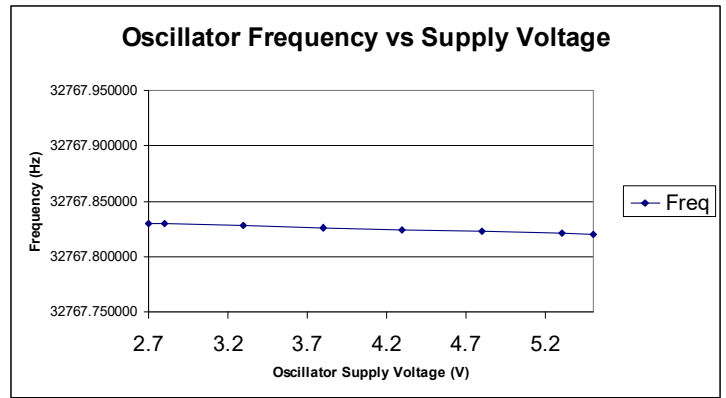
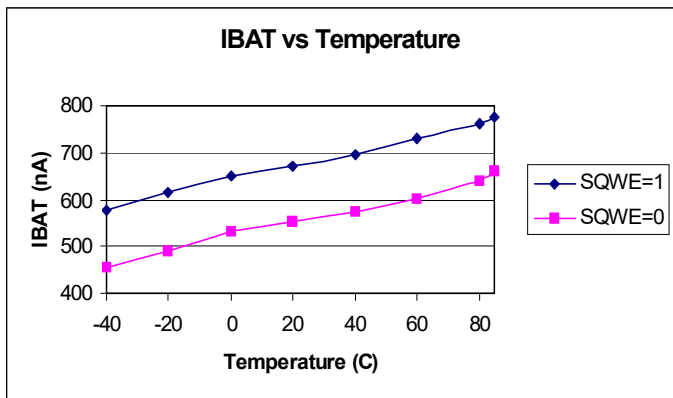
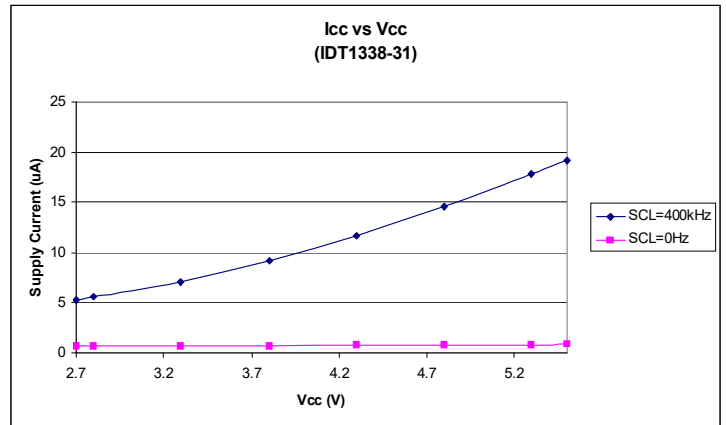
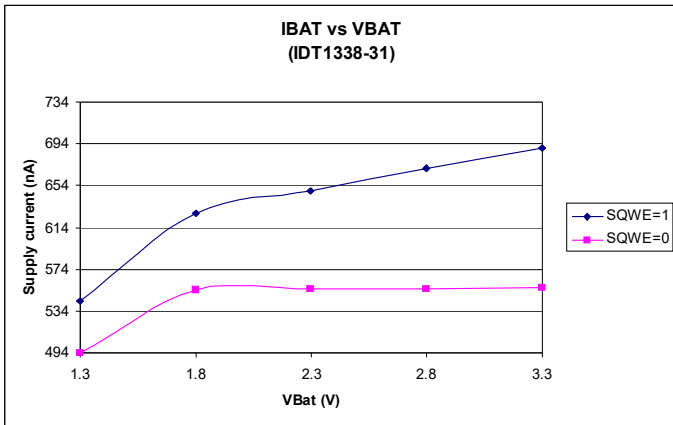
Note 13: Guaranteed by design. Not production tested.

Note 14: The parameter t_{OSF} is the period of time the oscillator must be stopped for the OSF flag to be set over the voltage range of $0.0\text{V} \leq V_{CC} \leq V_{CC\text{MAX}}$ and $1.3\text{V} \leq V_{\text{BACKUP}} \leq 3.7\text{V}$.

Timing Diagram



Typical Operating Characteristics



Thermal Characteristics for 8MSOP

| Parameter | Symbol | Conditions | Min. | Typ. | Max. | Unit |
|--|---------------|------------|------|------|------|------|
| Thermal Resistance Junction to Ambient | θ_{JA} | Still air | - | 95 | - | °C/W |
| Thermal Resistance Junction to Case | θ_{JC} | - | - | 48 | - | °C/W |

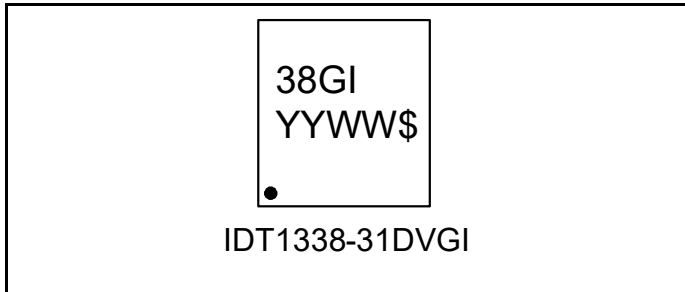
Thermal Characteristics for 8SOIC

| Parameter | Symbol | Conditions | Min. | Typ. | Max. | Unit |
|--|---------------|----------------|------|------|------|------|
| Thermal Resistance Junction to Ambient | θ_{JA} | Still air | - | 150 | - | °C/W |
| | θ_{JA} | 1 m/s air flow | - | 140 | - | °C/W |
| | θ_{JA} | 3 m/s air flow | - | 120 | - | °C/W |
| Thermal Resistance Junction to Case | θ_{JC} | - | - | 40 | - | °C/W |

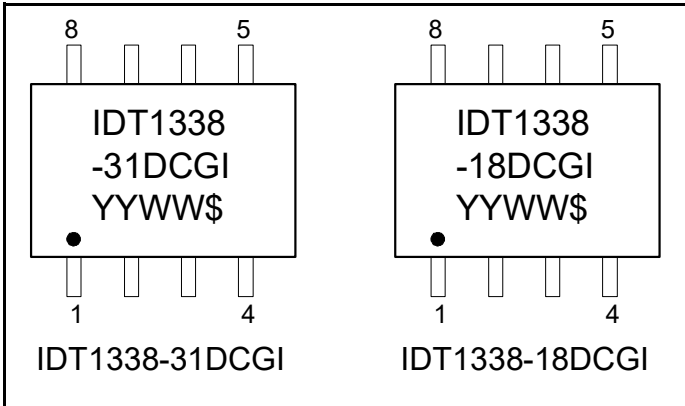
Thermal Characteristics for 16SOIC

| Parameter | Symbol | Conditions | Min. | Typ. | Max. | Unit |
|--|---------------|----------------|------|------|------|------|
| Thermal Resistance Junction to Ambient | θ_{JA} | Still air | - | 120 | - | °C/W |
| | θ_{JA} | 1 m/s air flow | - | 115 | - | °C/W |
| | θ_{JA} | 3 m/s air flow | - | 105 | - | °C/W |
| Thermal Resistance Junction to Case | θ_{JC} | - | - | 58 | - | °C/W |

Marking Diagram (8MSOP)



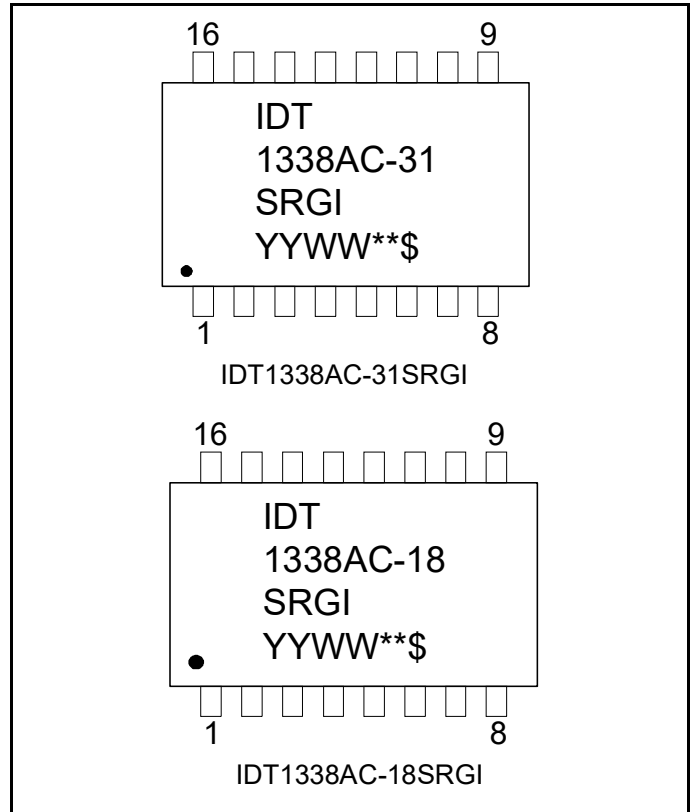
Marking Diagram (8SOIC)



Notes:

1. '\$' is the assembly mark code.
2. '**' is the lot sequence.
3. 'YYWW' is the last two digits of the year and week that the part was assembled.
4. "G" denotes RoHS compliant package.
5. "I" denotes industrial grade.
6. Bottom marking: Lot number.

Marking Diagram (16SOIC)



Package Outline Drawings

The package outline drawings are located at the end of this document and are accessible from the Renesas website (see [Ordering Information](#) for POD links). The package information is the most current data available and is subject to change without revision of this document.

Ordering Information

| Part / Order Number | Carrier Type | Package | Temperature Range |
|---------------------|---------------|-------------|-------------------|
| 1338-18DCGI | Tubes | 8-pin SOIC | -40 to +85° C |
| 1338-18DCGI8 | Tape and Reel | 8-pin SOIC | -40 to +85° C |
| 1338AC-18SRGI | Tubes | 16-pin SOIC | -40 to +85° C |
| 1338AC-18SRGI8 | Tape and Reel | 16-pin SOIC | -40 to +85° C |
| 1338-31DVGI | Tubes | 8-pin MSOP | -40 to +85° C |
| 1338-31DVGI8 | Tape and Reel | 8-pin MSOP | -40 to +85° C |
| 1338-31DCGI | Tubes | 8-pin SOIC | -40 to +85° C |
| 1338-31DCGI8 | Tape and Reel | 8-pin SOIC | -40 to +85° C |
| 1338AC-31SRGI | Tubes | 16-pin SOIC | -40 to +85° C |
| 1338AC-31SRGI8 | Tape and Reel | 16-pin SOIC | -40 to +85° C |

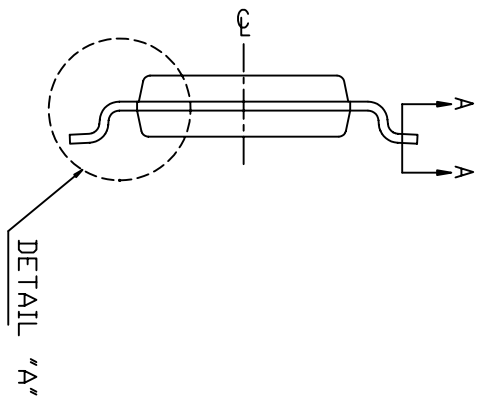
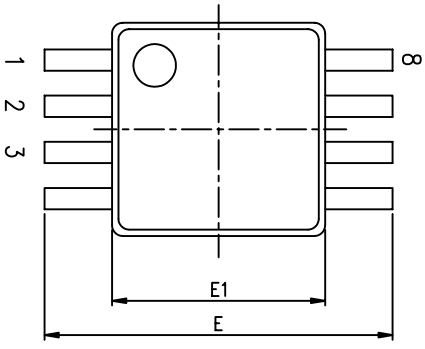
The 1338 packages are RoHS compliant. Packages without the integrated crystal are Pb-free; packages that include the integrated crystal (as designated with a “C” before the dash number) may include lead that is exempt under RoHS requirements. The lead finish is JESD91 category e3.

“A” is the device revision designator and will not correlate to the datasheet revision.

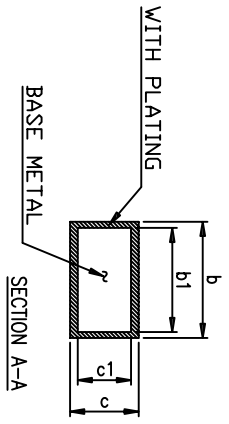
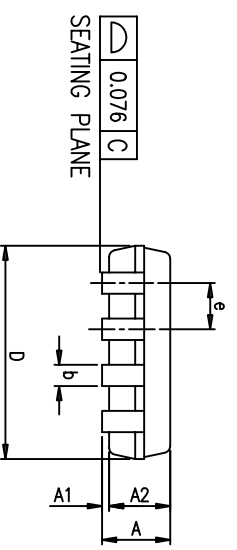
Revision History

| Date | Description of Change |
|--------------------|---|
| December 14, 2023 | Updated AC Electrical Characteristics Rise/Fall Time parameters; removed Standard Mode minimum value. |
| February 3, 2023 | Updated POD links in Package Outline Drawings . |
| September 30, 2020 | <ul style="list-style-type: none"> Updated Effective Load Capacitance section; added last sentence of "Cex1...of 12.5pF". Rebranded/reformatted datasheet to Renesas. |
| November 12, 2014 | Updated device markings. |
| March 10, 2014 | Changed tVCCF min value from 300μs to 3ms. Added associated note. |
| February 07, 2013 | <ol style="list-style-type: none"> Changed the Vih Min value to 0.8Vcc and the Vil Max value to +0.2Vcc on page 11. This is based on new data taken on TSMC samples (old data was from Fab 4). The IBATDAT current on page 12 should change from 10nA to 120nA (Typ) and from 100nA to 300nA (Max) per latest Characterization data from TSMC. |
| December 10, 2012 | Updated orderable parts - added "G" to 16-pin SOIC parts with SRI/SRI8. New part numbers for 16-pin SOIC will read as SRGI and SRGI8. |
| September 20, 2012 | <ol style="list-style-type: none"> Moved all from Fab4 to TSMC. QA requested change in the marking of only the 16-pin SOIC device with internal crystal to add "A" due to the fact that TSMC uses a different crystal than Fab4. Notification of a change in orderables was initiated with PCN A1208-06. Updated 16-pin SOIC marking diagram and ordering information to include "A". |
| October 17, 2011 | Added separate item for tVCCF in "Power-up/Down Conditions" table for 1338-31; 300μs min. |
| September 22, 2011 | Changed "V _{CC} Fall Time; V _{PF(MAX)} to V _{PF(MIN)} " spec from 300μs Min. to 1ms Min. (Table 2, "Power-Up/Down Characteristics"). |
| April 13, 2011 | Updated Supply Current specifications. |
| March 29, 2010 | Added "Timeout" paragraph on page 8. |
| November 10, 2009 | Added "Handling, PCB Layout, and Assembly" section. |
| December 02, 2008 | Updated Typical Operating Characteristics graphs; added marking diagrams. |
| November 13, 2008 | Updated graphs in "Typical Operating Characteristics; added "Typical Operating Circuit" diagram. |
| November 10, 2008 | Updated Block Diagram; Typical Operating Characteristics charts. |
| May 9, 2008 | The part number for 16pin RoHS complaint part has now changed from 1338C-31SOGI to 1338C-31SRI and the 1338C-18SOGI changed to 1338C-18SRI. |
| April 03, 2004 | Combined -3 and -33 parts to -31. |
| March 28, 2008 | Added new note to Part Ordering information pertaining to RoHS compliance and Pb-free devices. |
| January 29, 2008 | New device. Preliminary release. |

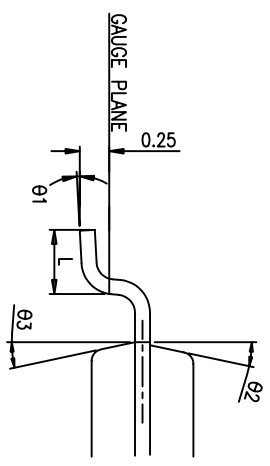
| REVISIONS | | | |
|-----------|----------------------------------|---------|----------|
| REV | DESCRIPTION | DATE | APPROVED |
| 00 | INITIAL RELEASE | 8/29/08 | RT |
| 01 | UPDATE DIM TO BE JEDEC COMPLIANT | 7/31/12 | R. Togh |
| 02 | COMBINE POD & LAND PATTERN | 7/23/13 | KS |



| SYMBOL | DIMENSION IN MM | | |
|------------|-----------------|-------|-------|
| | MIN. | NOM. | MAX. |
| A | --- | --- | 1.10 |
| A1 | 0.00 | --- | 0.15 |
| A2 | 0.75 | 0.85 | 0.95 |
| c | 0.08 | --- | 0.23 |
| c1 | 0.08 | --- | 0.18 |
| D | 2.80 | 3.00 | 3.20 |
| E1 | 2.80 | 3.00 | 3.20 |
| E | 4.90 BSC | | |
| L | 0.400 | 0.600 | 0.800 |
| $\theta 1$ | 0° | | 8° |



| SYMBOL | 8L | | | 10L | | |
|--------|----------|------|------|----------|------|------|
| | MIN. | NOM. | MAX. | MIN. | NOM. | MAX. |
| b | 0.22 | --- | 0.38 | 0.17 | --- | 0.27 |
| b1 | 0.22 | 0.30 | 0.33 | 0.17 | 0.20 | 0.23 |
| e | 0.65 BSC | | | 0.50 BSC | | |
| JEDEC | MO-187AA | | | MO-187 | | |



DETAIL "A"
SCALE 25:1

TOLERANCES UNLESS SPECIFIED
DIMENSIONS ARE IN MILLIMETERS
DIMENSIONS ARE IN INCHES UNLESS
SPECIFIED OTHERWISE
DECIMALS ARE: ANGLES
XXX.XX XXXX.XXX ±.1
SERIAL ENDORSEMENTS ARE
SURFACES TO BE FREE OF BURRS,
SCARFES, CHIPS, AND DENTS,
THIRD ANGLE PROJECTION

APPROVALS
DRAWN *224C*
CHECKED

DATE 08/28/08

SIZE C
DRAWING No. PSC-4163
DO NOT SCALE DRAWING

REV 02

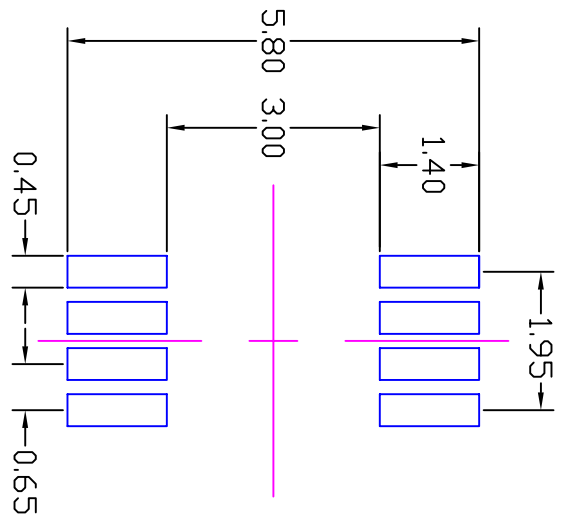
8024 Silver Creek Valley Road
San Jose CA 95138
PHONE: (408) 284-8200
FAX: (408) 284-8591

www.IDT.com

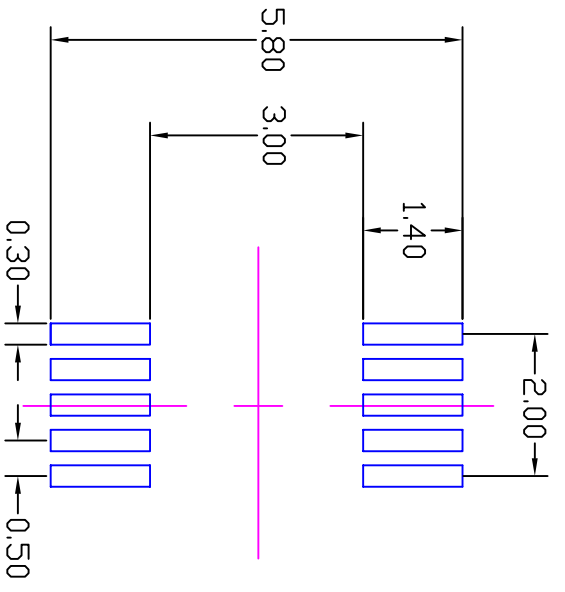
IDT™

TITLE DV/DVG PACKAGE OUTLINE
3.0 x 3.0 mm BODY
TSSOP

| REVISIONS | | | |
|-----------|----------------------------------|---------|----------|
| REV | DESCRIPTION | DATE | APPROVED |
| 00 | INITIAL RELEASE | 8/29/08 | RT |
| 01 | UPDATE DIM TO BE JEDEC COMPLIANT | 7/31/12 | R. Tanh |
| 02 | COMBINE POD & LAND PATTERN | 7/23/13 | KS |



N=8

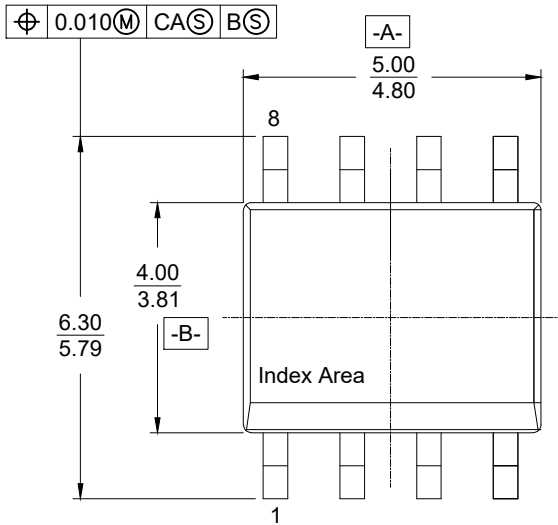


N=10

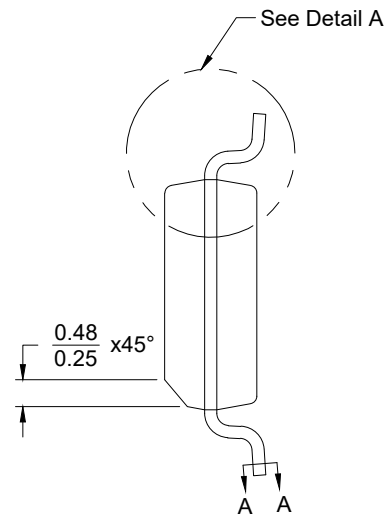
RECOMMENDED LAND PATTERN

- NOTES:
1. ALL DIMENSION ARE IN mm. ANGLES IN DEGREES.
 2. TOP DOWN VIEW. AS VIEWED ON PCB.
 3. LAND PATTERN IN BLUE. NSMD PATTERN ASSUMED.
 4. LAND PATTERN RECOMMENDATION PER IPC-7351B GENERIC REQUIREMENT FOR SURFACE MOUNT DESIGN AND LAND PATTERN.

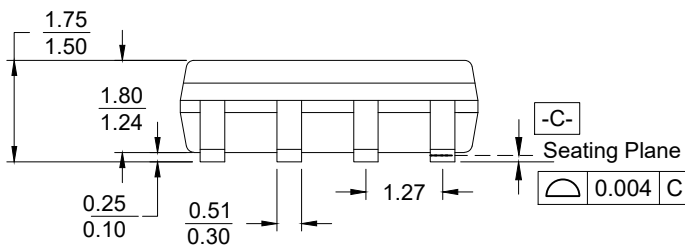
| | | | | | | | | | |
|--|--|----------------|--|---|--|---|--|---------|--|
| APPROVALS DRAWN: <i>dalg</i> CHECKED: | | DATE: 08/29/08 | | SIZE: C | | DRAWING No.: PSC-4163 | | REV: 02 | |
| DIMENSIONS UNLESS SPECIFIED DIMENSIONS ARE IN MILLIMETERS DIMENSIONS APPLY AFTER FINISH. TOLERANCES ARE: DECIMALS: .005 .005 .005 .005 FRACTIONS: 1/16 1/16 1/16 1/16 SURFACE FINISH: .125 BREAK EDGES: 0.10 MAX SURFACES TO BE FREE OF BURRS, SCRAPES, CHIPS, AND DENTS. THIRD ANGLE PROJECTION | | | | TITLE: DV/DWG PACKAGE OUTLINE 3.0 x 3.0 mm BODY TSSOP | | 8024 Silver Creek Valley Road San Jose CA 95138 PHONE: (408) 284-8200 FAX: (408) 284-8591 www.IDT.com | | | |



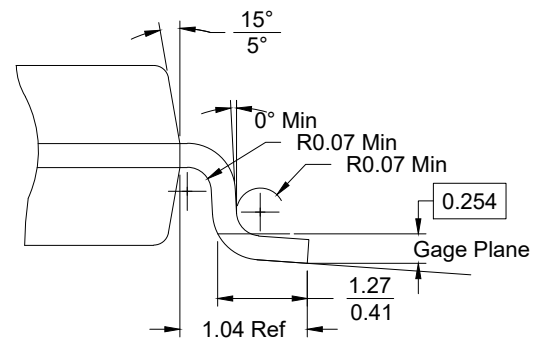
Top View



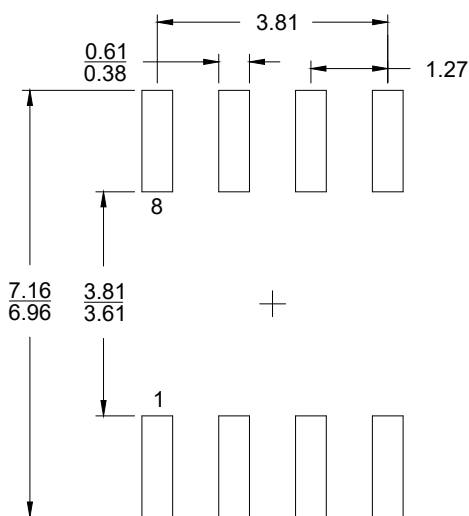
Side View



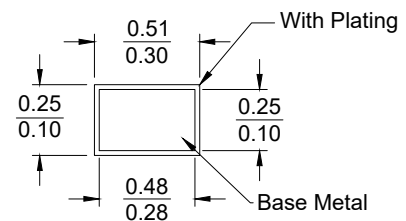
Side View



Detail A
(Rotated 90° CW)



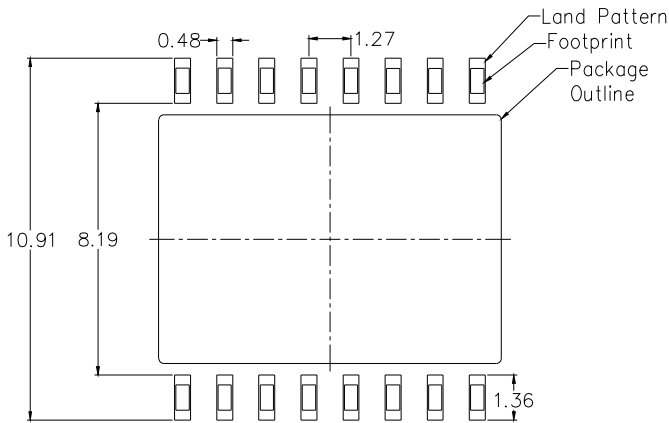
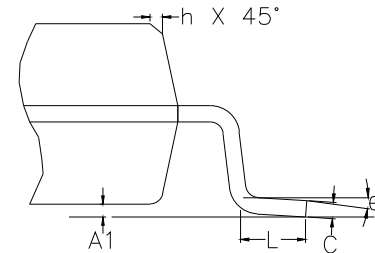
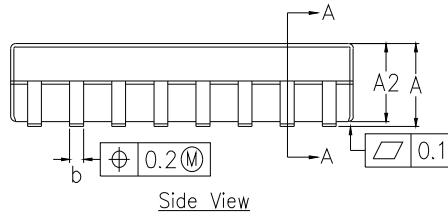
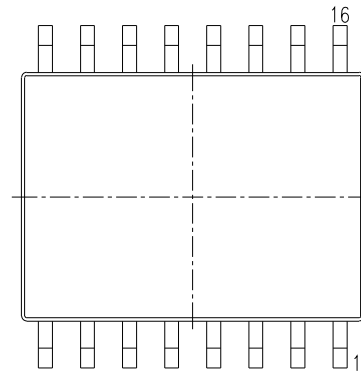
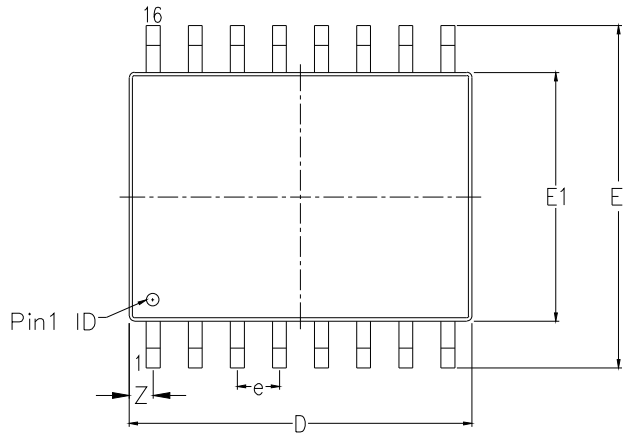
RECOMMENDED LAND PATTERN
(PCB Top View, SMD Design)



Section A-A

NOTES:

1. JEDEC compatible.
2. All dimensions are in mm and angles are in degrees.
3. Use ± 0.05 mm for the non-toleranced dimensions.
4. Foot length is measured at gauge plane 0.25 mm above seating plane.



| SYMBOL | DIMENSIONS | |
|--------|------------|-------|
| | MIN | MAX |
| A | 2.44 | 2.64 |
| A1 | 0.10 | 0.30 |
| A2 | 2.24 | 2.44 |
| b | 0.36 | 0.46 |
| c | 0.23 | 0.32 |
| D | 10.11 | 10.31 |
| E1 | 7.40 | 7.60 |
| e | 1.27 BSC | |
| E | 10.11 | 10.51 |
| h | 0.31 | 0.71 |
| L | 0.51 | 1.01 |
| Z | 0.66 REF | |
| θ | 0° | 8° |

NOTES:

1. JEDEC compatible.
2. All dimensions are in mm and angles are in degrees.
3. Use ± 0.05 mm tolerance for all other dimensions.
4. Foot length is measured at gauge plane 0.25 mm above seating plane.

| Package Revision History | | |
|--------------------------|---------|--------------------|
| Date Created | Rev no. | Description |
| Nov 4, 2021 | Rev 01 | Added Land Pattern |
| Feb 25, 2016 | Rev 00 | Initial Release |

IMPORTANT NOTICE AND DISCLAIMER

RENESAS ELECTRONICS CORPORATION AND ITS SUBSIDIARIES (“RENESAS”) PROVIDES TECHNICAL SPECIFICATIONS AND RELIABILITY DATA (INCLUDING DATASHEETS), DESIGN RESOURCES (INCLUDING REFERENCE DESIGNS), APPLICATION OR OTHER DESIGN ADVICE, WEB TOOLS, SAFETY INFORMATION, AND OTHER RESOURCES “AS IS” AND WITH ALL FAULTS, AND DISCLAIMS ALL WARRANTIES, EXPRESS OR IMPLIED, INCLUDING, WITHOUT LIMITATION, ANY IMPLIED WARRANTIES OF MERCHANTABILITY, FITNESS FOR A PARTICULAR PURPOSE, OR NON-INFRINGEMENT OF THIRD-PARTY INTELLECTUAL PROPERTY RIGHTS.

These resources are intended for developers who are designing with Renesas products. You are solely responsible for (1) selecting the appropriate products for your application, (2) designing, validating, and testing your application, and (3) ensuring your application meets applicable standards, and any other safety, security, or other requirements. These resources are subject to change without notice. Renesas grants you permission to use these resources only to develop an application that uses Renesas products. Other reproduction or use of these resources is strictly prohibited. No license is granted to any other Renesas intellectual property or to any third-party intellectual property. Renesas disclaims responsibility for, and you will fully indemnify Renesas and its representatives against, any claims, damages, costs, losses, or liabilities arising from your use of these resources. Renesas' products are provided only subject to Renesas' Terms and Conditions of Sale or other applicable terms agreed to in writing. No use of any Renesas resources expands or otherwise alters any applicable warranties or warranty disclaimers for these products.

(Disclaimer Rev.1.01 Jan 2024)

Corporate Headquarters

TOYOSU FORESIA, 3-2-24 Toyosu,
Koto-ku, Tokyo 135-0061, Japan
www.renesas.com

Trademarks

Renesas and the Renesas logo are trademarks of Renesas Electronics Corporation. All trademarks and registered trademarks are the property of their respective owners.

Contact Information

For further information on a product, technology, the most up-to-date version of a document, or your nearest sales office, please visit www.renesas.com/contact-us/.